

Project:	Type:
Prepared By:	Date:

Technical Specifications

Performance

Product Type:

Edge-lit Exit Sign

Description:

These edge-lit exit signs provide a high-end aesthetic while still being economical. The exit sign panel tilts 0-180° degrees, fitting many mounting orientations, and comes with surface and recessed mounting hardware in the box.

Input Wattage:

1.7W

Electrical

Power Factor:

0.4

Input Voltage:

120-277V, No dual circuit operation/No special voltage

Operating Frequency:

50/60Hz

Input Current @ 120V (mA):

29mA

Input Current @ 277V (mA):

29mA

Maximum Output Current (Amps):

200mA

Maximum Output Wattage:

0.5W

Operating Temperature:

32°F to 104°F (0°C to 40°C)

Emergency Backup

Battery Backup:

Yes

Battery Type:

Nickel-Metal Hydride

Battery Voltage:

3.6V

Battery Operating Temperature:

32°F to 104°F (0°C to 40°C)

Battery Recharge Time:

24 hours

Emergency Operation:

90 minutes

Emergency Lumens:

RED: 31.4W
GREEN: 31.1W

Self Diagnostics:

No

Remote Test Switch:

No

Installation

Mounting Method:

Recessed

Mounting Type:

Ceiling

Construction

Cold Weather Rated:

No

Housing Material:

Thermoplastic

Housing Color:

White

Housing Flamability:

5VA

Panel Material:

Acrylic

Panel Color:

Mirror

Technical Specifications (continued)**Letter Color:**

Red or Green Selectable

Number of Faces:

Double Face

Arrow Direction:

Left, Right (adhesive stickers included)

Sign Format:

Stencil

Remote Capacity:

No

No. of Heads:

None

Head Shape:

None

Remote Heads Replaceable:

No

Compliance**Listings:**

UL Listed

Environment:

Suitable for use indoors in dry and damp environments.

IP Rating:

IP20

T20 Compliant:

Can be used to conform with the requirements of California Title 20

California Title 24 JA8 Compliant:

No

California Energy Commission (CEC) Status:

Lawful for Sales in California

City Compliance:

None

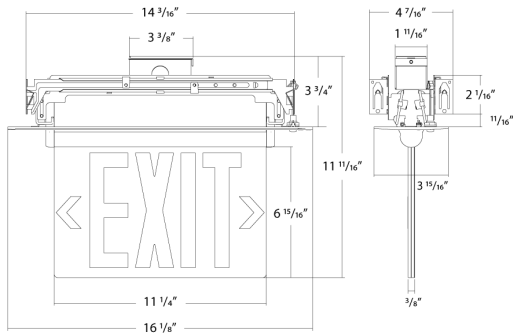
FCC:

Complies with Part 15 of the FCC Rules

Other**3-Year, No-Compromise Warranty:**

RAB warrants that our LED products will be free from defects in materials and workmanship for a period of three (3) years from the date of delivery to the end user, including coverage of light output, color stability, driver performance and fixture finish. RAB's warranty is subject to all terms and conditions found at rablighting.com/warranty.

Dimensions



Features

- Great for applications requiring an attractive, edge-lit exit sign while remaining budget- friendly
- Provides ceiling, wall, recessed, and end mounting capability all in one box
- Thermoplastic housing is impact-resistant, scratch-resistant, and corrosion-proof
- Nickel Metal Hydride battery delivers 90 minutes of emergency capacity. Test switch provides manual activation of 30-second diagnostic testing for on-demand visual inspection.
- Red/Green selectable letters. Single-face clear panel or double-face mirror panel models available. Includes removeable chevron arrows.

Ordering Matrix

Family	Model	Panel	Letter Color	Housing Finish
ELX		MP		
	Blank = Standard Thermoplastic NYC = Aluminum NYC Compliant	Blank = Clear Panel, Single Face MP = Mirror Panel, Double Face	Blank = Red or Green Selectable Blank = Red only ¹	Blank = White Blank = Brushed Aluminum ²

¹ NYC Models are available in red letters only.
² NYC models are available in brushed aluminum only.