

Project:	Type:
Prepared By:	Date:

**Technical Specifications**

**Performance**

**Product Type:**

Edge-lit Exit Sign

**Description:**

These edge-lit exit signs provide a high-end aesthetic while still being economical. The exit sign panel tilts 0-180° degrees, fitting many mounting orientations, and comes with surface and recessed mounting hardware in the box.

**Input Wattage:**

1.7W

**Electrical**

**Power Factor:**

0.4

**Input Voltage:**

120-277V, No dual circuit operation/No special voltage

**Operating Frequency:**

50/60Hz

**Input Current @ 120V (mA):**

29mA

**Input Current @ 277V (mA):**

29mA

**Maximum Output Current (Amps):**

200mA

**Maximum Output Wattage:**

0.5W

**Operating Temperature:**

32°F to 104°F (0°C to 40°C)

**Emergency Backup**

**Battery Backup:**

Yes

**Battery Type:**

Nickel-Metal Hydride

**Battery Voltage:**

3.6V

**Battery Operating Temperature:**

32°F to 104°F (0°C to 40°C)

**Battery Recharge Time:**

24 hours

**Emergency Operation:**

90 minutes

**Emergency Lumens:**

RED: 31.4W

GREEN: 31.1W

**Self Diagnostics:**

No

**Remote Test Switch:**

No

**Installation**

**Mounting Method:**

Recessed

**Mounting Type:**

Ceiling

**Construction**

**Cold Weather Rated:**

No

**Housing Material:**

Thermoplastic

**Housing Color:**

White

**Housing Flamability:**

5VA

**Panel Material:**

Acrylic

**Panel Color:**

Clear

**Technical Specifications (continued)****Letter Color:**

Red or Green Selectable

**Number of Faces:**

Single Face

**Arrow Direction:**

Left, Right (adhesive stickers included)

**Sign Format:**

Stencil

**Remote Capacity:**

No

**No. of Heads:**

None

**Head Shape:**

None

**Remote Heads Replaceable:**

No

**Compliance****Listings:**

UL Listed

**Environment:**

Suitable for use indoors in dry and damp environments.

**IP Rating:**

IP20

**T20 Compliant:**

Can be used to conform with the requirements of California Title 20

**California Title 24 JA8 Compliant:**

No

**California Energy Commission (CEC) Status:**

Lawful for Sales in California

**City Compliance:**

None

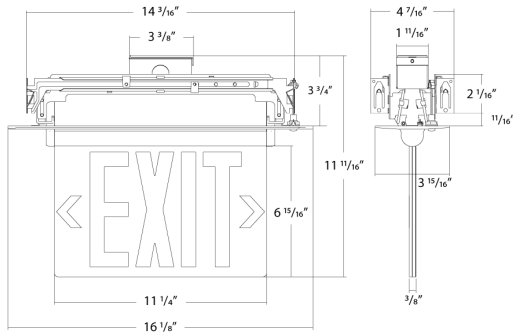
**FCC:**

Complies with Part 15 of the FCC Rules

**Other****3-Year, No-Compromise Warranty:**

RAB warrants that our LED products will be free from defects in materials and workmanship for a period of three (3) years from the date of delivery to the end user, including coverage of light output, color stability, driver performance and fixture finish. RAB's warranty is subject to all terms and conditions found at [rablighting.com/warranty](http://rablighting.com/warranty).

**Dimensions**



**Features**

- Great for applications requiring an attractive, edge-lit exit sign while remaining budget- friendly
- Provides ceiling, wall, recessed, and end mounting capability all in one box
- Thermoplastic housing is impact-resistant, scratch-resistant, and corrosion-proof
- Nickel Metal Hydride battery delivers 90 minutes of emergency capacity. Test switch provides manual activation of 30-second diagnostic testing for on-demand visual inspection.
- Red/Green selectable letters. Single-face clear panel or double-face mirror panel models available. Includes removeable chevron arrows.

**Ordering Matrix**

Family	Model	Panel	Letter Color	Housing Finish
ELX				
	<b>Blank</b> = Standard Thermoplastic <b>NYC</b> = Aluminum NYC Compliant	<b>Blank</b> = Clear Panel, Single Face <b>MP</b> = Mirror Panel, Double Face	<b>Blank</b> = Red or Green Selectable <b>Blank</b> = Red only <sup>1</sup>	<b>Blank</b> = White <b>Blank</b> = Brushed Aluminum <sup>2</sup>

<sup>1</sup> NYC Models are available in red letters only.  
<sup>2</sup> NYC models are available in brushed aluminum only.