

Project:	Type:
Prepared By:	Date:

Technical Specifications

Performance

Product Type:
Emergency Unit

Description:
Emergency Thermoplastic Unit with Square Heads

Input Power:
1.2W

Lumens:
200lm

Electrical

Power Factor:
0.4

Input Voltage:
120-277V

Operating Frequency:
50/60Hz

Input Current @ 120V (mA):
15mA

Input Current @ 277V (mA):
10mA

Maximum Output Wattage:
2W

Dual Voltage Circuit Operation:
No

Operating Temperature:
32°F to 104°F (0°C to 40°C)

Emergency Illumination:
90 minutes

Battery Backup:
Yes

Battery Type:
Nickel Cadmium

Battery Voltage:
3.6V

Recharge Time Required:
24-hours

Battery Operating Temperature:
32°C to 104°C (0°F to 40°F)

Storage Temperature:
68°F to 86°F (20°C to 30°C)

Storage Shelf Life:
3 years before the initial charge. 5 years after initial charge.

Self Diagnostics:
No, manual test only

Remote Test Switch:
No

Installation

Mounting Method:
Back

Mounting Type:
Wall Mount

Maximum Mounting Height (ft.):
8 ft

Spacing Criteria for Emergency Egress :
13 ft on center assuming 7.5 ft mounting height with egress path 3 ft out

Cold Weather Rated:
No

Construction

Shape:
Rectangle

Housing Material:
Thermoplastic

Technical Specifications (continued)

Housing Color:

White

Panel Material:

Thermoplastic

Remote Capacity:

No

No. of Heads:

2-Lamp Heads

Head Shape:

Square

Remote Head Lumens (lm):

200m

Remote Heads Replaceable:

No

Compliance

Listings:

UL924 Listed

Environment:

Suitable for use in dry and damp environments

IP Rating:

IP20

T20 Compliant:

Can be used to conform with the requirements of California Title 20

California Title 24 JA8 Compliant:

No

California Energy Commission (CEC) Status:

Lawful for Sales in California

FCC:

Complies with Part 15 of the FCC Rules

Other

Compatible Products:

EREMOTE-RTS

Wall Mount Remote Test Button Switch

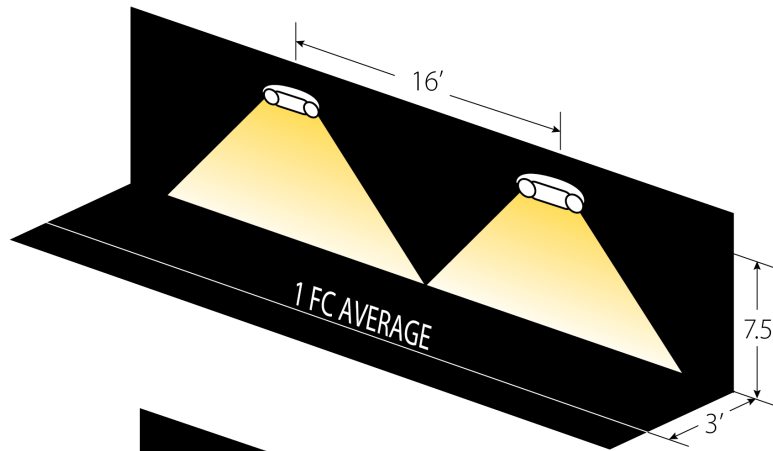
Warranty:

RAB warrants that our LED products will be free from defects in materials and workmanship for a period of five (5) years from the date of delivery to the end user, including coverage of light output, color stability, driver performance and fixture finish. RAB's warranty is subject to all terms and conditions found at rablighting.com/warranty.

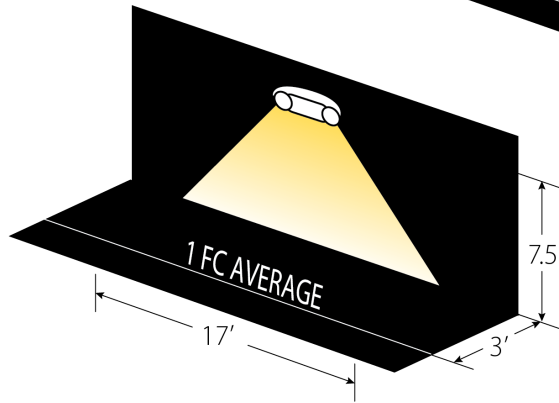
Maximum Spacing Guidelines

Mounting Height	Path of Egress, 3' Out		Path of Egress, 6' Out		Application Notes
	Single Luminaire	Multiple Luminaires	Single Luminaire	Multiple Luminaires	
7.5'	17'	16'	8'	12'	Room Size: 50' L x 8' W x 9' H Direct calculation method used. Reflectances excluded.
	Tilt: 30°	Tilt: 30°	Tilt: 30°	Tilt: 30°	
	Orient: 0°	Orient: 30°	Orient: 0°	Orient: 30°	

NFPA 101 Life Safety Code emergency egress: 1 FC average, 0.1 FC minimum & 40:1 max:min

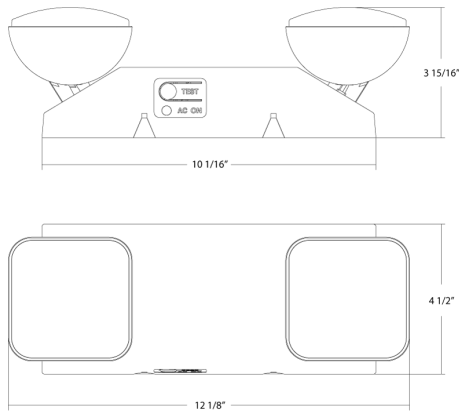


Example of multiple luminaires lighting a 3' path of egress.



Example of a single luminaire lighting a 3' path of egress.

Dimensions



Features

- Durable thermoplastic design
- Emergency light with 90-minute battery backup

Ordering Matrix

Family	Heads	High Lumen	Remote Capacity	Self Testing	CEC	Housing Color
EM						
	Blank = 2 Heads	Blank = No High Lumen H = High Lumen	Blank = No Remote Capable R = Remote Capable	Blank = No Self Testing S = Self Testing	Blank = No California Title 20 CEC = California Title 20EC	Blank = White