



Color: White

Weight: 7.1 lbs

Project:	Type:
Prepared By:	Date:

Driver Info		LED Info	
Type	Constant Current	Watts	36/30/25W
120V	0.33A/0.25A/0.21A	Color Temp	3500/4000/5000K
208V	0.19A/0.14A/0.12A	Color Accuracy	84-85 CRI
240V	0.17A/0.13A/0.10A	L70 Lifespan	N/A
277V	0.14A/0.11A/0.09A	Lumens	3,488-5,079 lm
Input Watts	24.6-36.5W	Efficacy	135.8-144.2 lm/W

Technical Specifications

Field Adjustability

Field Adjustable:

Field Adjustable Light Output:
40W/30W/25W (factory default: 40W)
Color Temperature Selectable:
3500K, 4000K and 5000K (factory default:4000K)

Compliance

UL Listed:

Suitable for damp locations

IESNA LM-79 & LM-80 Testing:

RAB LED luminaires have been tested by an independent laboratory in accordance with IESNA lm-79 and lm-80

Trade Agreements Act Compliant:

This product is a product of Cambodia and a "designated country" end product that complies with the Trade Agreements Act

DLC Listed:

This product is listed by Design Lights Consortium (DLC) as an ultra-efficient premium product that qualifies for the highest tier of rebates from DLC Member Utilities. Designed to meet DLC 5.1 requirements.

DLC Product Code: S-613T6F

Electrical

Driver:

Constant Current, Class II, 120-277V, 50/60 Hz:
40W: 120V: 0.33A, 208V: 0.19A, 240V: 0.17A, 277V: 0.14A
30W: 120V: 0.25A, 208V: 0.14A, 240V: 0.13A, 277V: 0.11A
25W: 120V: 0.21A, 208V: 0.12A 240V: 0.10A, 277V: 0.09A

Dimming Driver:

Driver includes dimming control wiring for 0-10V dimming systems. Requires separate 0-10V DC dimming circuit. Dims down to 10%.

Power Factor:

99.2% at 120V, 96.4% at 277V

Aux Power Supply:

No

Dim to Off:

Yes

Battery Backup:

Battery backup will operate the LED Lamp for 90 minutes if power fails. Wired for 120V-277V.

Battery Backup Light Loss Factor:

36W: 41.7%
30W: 50%
25W: 60%

Surge Protection:

2kV + 4kV

Construction

Cold Weather Starting:

The minimum starting temperature is 0°C (32°F)

Maximum Ambient Temperature w/Battery Backup:

Suitable for use in up to 40°C (104°F)

IC Rated:

Suitable for direct contact with insulation

Lens:

Precision engineered polystyrene diffuser provides high uniformity, and reduced glare. No visible diodes, hot-spots, or shadows.

Housing:

Aluminum+Iron

Reflector:

TPET reflective paper

Finish:

Formulated for high durability and long-lasting color

Green Technology:

Mercury and UV free. RoHS-compliant components.

Technical Specifications (continued)

Installation

Mounting:

Surface, suspended & recessed mounting. The mounting accessories sold separately.

Installation:

Standard integral T-bar clips secure the fixture to T-bars and prevent T-system separation

LED Characteristics

LEDs:

Long-life, high-efficacy, surface-mount LEDs

Color Stability:

LED color temperature is warranted to shift no more than 200K in color temperature over a 5-year period

Color Uniformity:

RAB's range of Correlated Color Temperature follows the guidelines of the American National Standard for Specifications for the Chromaticity of Solid State Lighting (SSL) Products, ANSI C78.377-2017.

Performance

Lifespan:

100,000-Hour LED lifespan based on IES LM-80 results and TM-21 calculations

THD:

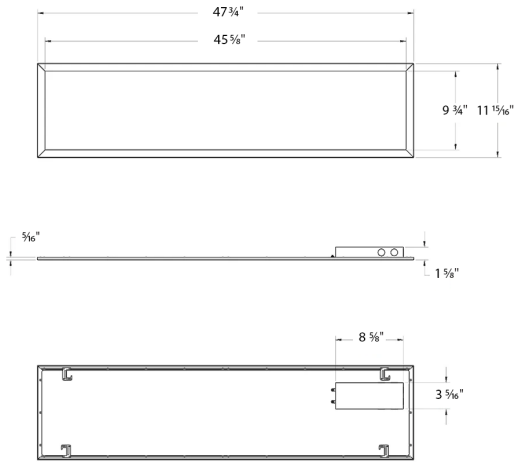
11.56% at 120V, 10.40% at 277V

Other

Warranty:

RAB warrants that our LED products will be free from defects in materials and workmanship for a period of five (5) years from the date of delivery to the end user, including coverage of light output, color stability, driver performance and fixture finish. RAB's warranty is subject to all terms and conditions found at rablighting.com/warranty.

Dimensions



Features

- 100,000-hour LED Lifespan
- DLC Premium Listed
- 5-Year, No-Compromise Warranty

Ordering Matrix

Family	Wattage	Color Temp	Output	Driver	Controls	Battery Backup
EZP	1X4		HE			/E
	2X2 = 36/30/25W 1X4 = 36/30/25W 2X4 = 50/40/30W	Blank = 3500/4000/5000K CCT Adjustable	HE = High Efficacy	Blank = 120-277V, 0-10V Dimming	Blank = None	Blank = None /E = Battery Backup