



<b>Project:</b>	<b>Type:</b>
<b>Prepared By:</b>	<b>Date:</b>

Driver Info	LED Info
Type Constant Current	Watts 40W
120V 0.09A/0.11A/0.14A/0.16A/0.25A/0.36A	Color Temp RGB
208V 0.05A/0.07A/0.08A/0.09A/0.14A/0.21A	Color Accuracy 0-96 CRI
240V 0.05A/0.06A/0.07A/0.08A/0.12A/0.18A	L70 Lifespan 100,000 Hours
277V 0.05A/0.06A/0.07A/0.09A/0.12A/0.16A	Lumens 91-4646 lm
Input Watts 10.3-42.6W	Efficacy 8.7-109.1 lm/W

## Technical Specifications

### Lightcloud

#### Lightcloud Blue Installed:

Lightcloud Blue is a Bluetooth Mesh wireless lighting control system that allows you to control RAB's various compatible devices. With RAB's patented Rapid Provisioning technology, devices can be quickly and easily commissioned for residential and large commercial applications using the Lightcloud Blue mobile app. Each device in a system can communicate with any other device, eliminating the need for a Gateway or Hub and maximizing the control system's reach.

DLC system - N1XMLOEATBA (Interior);  
NHCZ2BIA17L (Exterior)

Learn more at  
[www.rablighting.com/feature/new-lightcloud-blue](http://www.rablighting.com/feature/new-lightcloud-blue).

#### Gateway Required:

No

#### Communication Protocol:

Bluetooth Mesh

#### Range:

Indoor: Up to 60 feet between standard building materials. Building materials such as brick, concrete, and steel construction may require additional Lightcloud Blue devices to extend around an obstruction; Up to 200 feet clear line of sight.

Outdoor: Up to 60 feet clear line of sight; Up to 18 feet around corners.

#### Spacing Criteria:

Lightcloud Blue devices should be placed within the specified range to communicate within the Bluetooth Mesh network.

#### Factory Reset:

Method 1: Delete from App  
Open the app and access the device settings for the paired device. Be sure that the device is online and select 'Delete'. The device will flash on/off 5 times and return to full brightness.

#### Method 2: Rapid Reset Tool

The Rapid Reset process must be done by a professional electrician qualified by RAB. Reach out to your RAB sales manager to request a Rapid Reset Tool. The tool simply needs to be placed directly on the device for 2s or until the lamp/luminaire flashes 3x, then resets to 100% brightness at the default CCT. See instruction manual for exact reset location.

### SmartShift

#### SmartShift:

SmartShift is the most advanced - yet easiest to use - circadian lighting system, which syncs white color tuning with the local sunrise and sunset. Requires the NANO/LCB (sold separately)

### Performance

#### Product Type:

Flat Panel

#### Description:

Color tuning edge-lit panels in 2x2, 2x4, and 1x4 with battery backup options. Choose from 16+ million colors using Lightcloud Blue.

#### Input Wattage:

40W

#### Nominal Lumens:

4,400lm

#### Efficacy (±10%):

110lm/W

#### L70 Lifespan:

100,000-Hour LED lifespan based on IES LM-70 results

### Electrical

#### Driver:

Constant Current 120-277V 120-277V, 120V: 0.353mA; 208V: 0.353mA; 240V: 0.176mA; 277V: 0.153mA

#### THD:

<30%

#### Power Factor:

>0.9



## Technical Specifications (continued)

### Dimmable:

Yes via the Lightcloud Blue mobile app and devices. This product will not operate properly when connected to a standard (incandescent) dimmer or dimming control.

### Input Voltage:

120-277V

### Operating Temperature:

-22°F to 104°F (-30°C to 40°C)

### Flicker:

Low Flicker

### Surge Protection:

2 kV + 4 kV

### Battery Recharge Time:

24 hours

### Emergency Backup

#### Emergency Operation:

90 minutes

### LED Characteristics

#### Beam Angle:

110°

#### Color Temperature:

Default: 4000K

Adjustable using the Lightcloud Blue mobile app

Tunable White 2200K - 4000K

16+ million RGB colors

#### Color Accuracy (CRI):

>80 CRI

#### Natural Spectrum:

No

#### Color Consistency:

<7-step MacAdam Ellipse binning to achieve consistent fixture-to-fixture color

#### Color Stability:

LED color temperature is warranted to shift no more than 200K in color temperature over a 5-year period

#### Color Uniformity:

RAB's range of Correlated Color Temperature follows the guidelines of the American National Standard for Specifications for the Chromaticity of Solid State Lighting (SSL) Products, ANSI C78.377-2017.

### Installation

#### Mounting:

Surface, suspended & recessed mounting accessories sold separately

### Construction

#### Size:

1'x4'

#### Shape:

Rectangle

#### Finish:

White

#### Enclosure Material:

Metal+Plastic

### Compliance

#### Environment:

Suitable for use indoors in dry and damp environments.

#### DLC Listed:

No

#### Certification Model Number:

EZP1X4/RGB

#### California Title 20 Compliant:

No

#### California Title 24 JA8 Compliant:

No

#### California Energy Commission (CEC) Status:

Lawful for Sales in California

#### IESNA LM-79 & LM-80 Testing:

RAB LED luminaires and LED components have been tested by an independent laboratory in accordance with IESNA LM-79 and LM-80.

#### RoHS:

Mercury and UV free. RoHS-compliant components.

#### FCC:

Complies with Part 15 of the FCC Rules

#### Trade Agreements Act Compliant:

This product is a product of Cambodia and a "designated country" end product that complies with the Trade Agreements Act

### Other

#### Compatible Accessories:

SMKEZPAN1X4

1'X4' Surface mount

PMKEZPAN1X4

1'X4' Suspended mount

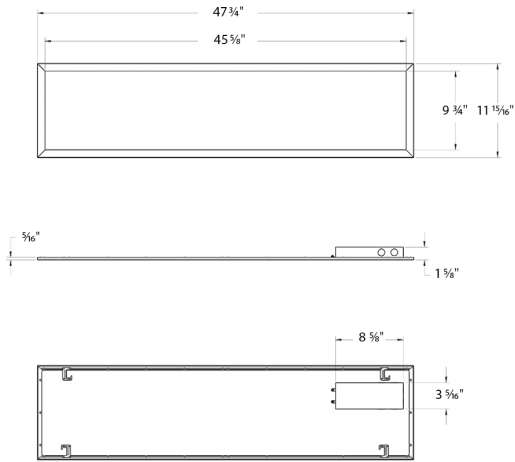
RMKEZPAN1X4

1'X4' Recessed mount

#### 5-Year, No-Compromise Warranty:

RAB warrants that our LED products will be free from defects in materials and workmanship for a period of five (5) years from the date of delivery to the end user, including coverage of light output, color stability, driver performance and fixture finish. RAB's warranty is subject to all terms and conditions found at [rablighting.com/warranty](http://rablighting.com/warranty).

## Dimensions



## Features

- Available in 3 sizes 1'x4', 2'x2', 2'x4' with optional battery backup
- Wireless communication via Bluetooth Mesh with Lightcloud Blue
- Choose between 16+ million colors
- SmartShift Ready for circadian and aesthetic lighting profiles
- 5-year, No-Compromise Warranty

## Ordering Matrix

Family	Wattage	Color Temp	Driver	RGB Color Tuning	Battery Backup
EZP	1X4			/RGB	
	2X2 = 40 1X4 = 40 2X4 = 50	Blank = Tunable White 2200-4000K	Blank = 120-277V	/RGB = Lightcloud Blue RGBW 16+ Million Colors	Blank = None /E = Battery Backup