



Color: White + red

Weight: 1.1 lbs

|                     |              |
|---------------------|--------------|
| <b>Project:</b>     | <b>Type:</b> |
| <b>Prepared By:</b> | <b>Date:</b> |

| Driver Info |                           | LED Info       |                           |
|-------------|---------------------------|----------------|---------------------------|
| Type        | Constant Current, Class 2 | Watts          | 9W                        |
| 120V        | 0.09A                     | Color Temp     | 2700/3000/3500/4000/5000K |
| 208V        | N/A                       | Color Accuracy | >90 CRI                   |
| 240V        | N/A                       | L70 Lifespan   | 50,000 Hours              |
| 277V        | N/A                       | Lumens         | 750 lm                    |
| Input Watts | 9W                        | Efficacy       | 83                        |

### Technical Specifications

#### Performance

**Product Type:**

Fire Resistant Gimbal Downlight

**Description :**

Fire-resistant gimbal downlight available in 4" and 6" models with 5 selectable color temperatures. The remote driver makes these ideal for new construction and retrofit applications.

**Wattage Equivalency:**

60W Incandescent

**Input Wattage:**

9W

**Lumens:**

750lm

**Efficacy:**

83lm/W

**Measured Lumens:**

2700K @ 693lm; 3000K @ 714lm; 3500K @ 757lm; 4000K @ 780lm; 5000K @ 784lm

**L70 Lifespan:**

50,000-Hour LED lifespan based on IES LM-70 results

#### Electrical

**Driver:**

Constant Current, Class 2

**THD:**

≤20%

**Power Factor:**

≥0.9

**Dimmable:**

Yes, dimmable down to 10% on compatible TRIAC/ELV dimming systems. See Dimmer Compatibility List.

**Input Voltage:**

120V

**Operating Frequency:**

60 Hz

**Input Current @ 120V (mA):**

90mA

**Operating Temperature:**

-4°F to 104°F (-20°C to 40°C)

**Flicker:**

5%

#### LED Characteristics

**Beam Angle:**

40°

**Tilt:**

90°

**Color Temperature:**

Field adjustable via dip switch  
2700/3000/3500/4000/5000K

**Color Accuracy (CRI):**

>90 CRI

**R9 Value:**

High color performance with R9 greater than 50

**Color Consistency:**

<7- (30/35/40K); <4- (27/50K) step MacAdam Ellipse binning to achieve consistent fixture-to-fixture color

**Color Stability:**

LED color temperature is warranted to shift no more than 200K in color temperature over a 5-year period

**Color Uniformity:**

RAB's range of Correlated Color Temperature follows the guidelines of the American National Standard for Specifications for the Chromaticity of Solid State Lighting (SSL) Products, ANSI C78.377-2017.

**Technical Specifications (continued)**

**Installation**

**Remote Driver/Junction Box:**

Die formed metal driver / junction box with captive hinged junction box cover. Listed for Maximum of (4) 12AWG through branch circuit conductor suitable for 90°C permitted in box. Easy to wire in 2in/2out (plus ground) applications. (4) conduit pry-outs. (3) quick snap-in connectors for quick and reliable line voltage connections. Integral mounting facilitates direct mounting to building structure or mounting frame.

**Mounting:**

Recessed

**Construction**

**Size:**

4"

**Shape:**

Round

**Finish:**

White+Red

**Enclosure Material:**

Metal

**Trim Style:**

Smooth

**Lens Finish:**

Frosted

**Lens:**

Single optic and full face lens for precise beam angle control

**Compliance**

**Listings:**

UL Listed

**Environment:**

Suitable for use indoors and outdoors in dry, damp, or wet environments.

**IC Rated:**

Suitable for direct contact with insulation. Type IC inherently protected, suitable for direct contact to air permeable insulation and cULus listed for damp locations. Not for use in direct contact with spray foam insulation, consult NEMA LSD57-2013.

**Air Tight:**

Housing certified Air Tight as per ASTM E283

**Energy Star Approved:**

This product is ENERGY STAR® Certified.

**DLC Listed:**

No

**California Title 24 JA8 Compliant:**

Can be used to conform with the requirements of California Title 24 Part 6

**California Energy Commission (CEC) Status:**

Lawful for Sales in California

**NEC Compliant:**

Suitable for use in closets. Compliant with NEC Sec. 410.16 (A)(1) and 410.16 (C3).

**IESNA LM-79 & LM-80 Testing:**

RAB LED luminaires and LED components have been tested by an independent laboratory in accordance with IESNA LM-79 and LM-80.

**RoHS:**

Mercury and UV free. RoHS-compliant components.

**FCC:**

Complies with Part 15 of the FCC Rules

**Trade Agreements Act Compliant:**

This product is a product of Cambodia and a "designated country" end product that complies with the Trade Agreements Act

**Other**

**Compatible Accessories:**

[EXTCBL-FA-6](#)

6' Extension cabler

[EXTCBL-FA-12](#)

12' Extension cable

[EXTCBL-FA-20](#)

20' Extension cable

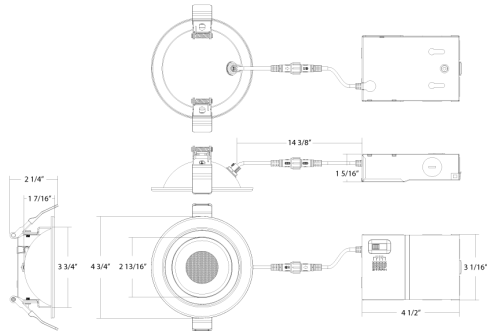
[DRI-EMB-15S-LV](#)

2-n-1 Driver + Battery Backup

**Warranty:**

RAB warrants that our LED products will be free from defects in materials and workmanship for a period of five (5) years from the date of delivery to the end user, including coverage of light output, color stability, driver performance and fixture finish. RAB's warranty is subject to all terms and conditions found at [rablighting.com/warranty](http://rablighting.com/warranty).

## Dimensions



## Features

- 5 color temperatures in 1 SKU (2700K, 3000K, 3500K, 4000K, 5000K)
- No recessed housing or j-box required
- Tested to UL 263 and ASTM E119 standards for 2-hour fire resistance.
- TRIAC/ELV dimming (see Dimmer Compatibility List)
- Spring-loaded retention clips
- New construction or retrofit applications
- 50,000-Hour lifespan

## Ordering Matrix

| Family  | Size/Wattage              | Shape         | CRI/Color Temp   | Driver                  | Finish              | Trim           |
|---------|---------------------------|---------------|--|-------------------------|---------------------|----------------|
| FGIMBAL | 4                         | Blank = Round | Blank = 90 CRI, 2700/3000/3500/4000/5000K CCT Adjustable | Blank = 120V, TRIAC/ELV | Blank = White + Red | Blank = Smooth |
|         | 4 = 4", 9W<br>6 = 6", 14W |               |  |                         |                     |                |