

Project:	Type:
Prepared By:	Date:

Driver Info		LED Info	
Type	Constant Current	Watts	40/35/30/25/20W
120V	0.37A	Color Temp	3000/3500/4000/5000/6500K
208V	0.21A	Color Accuracy	83-85 CRI
240V	0.18A	L70 Lifespan	100,000 Hours
277V	0.16A	Lumens	2,649-4,994 lm
Input Watts	20.6-39.2W	Efficacy	126.9-131 lm/W

Technical Specifications

Field Adjustability

Field Adjustable:

Field Adjustable Light Output:
40/35/30/35/20W (factory default 40W)
Color temperature selectable by 3000K, 3500K, 4000K, 5000K and 6500 (factory default 4000K)

Compliance

UL Listed:

Suitable for damp locations

IESNA LM-79 & LM-80 Testing:

RAB LED luminaires and LED components have been tested by an independent laboratory in accordance with IESNA LM-79 and LM-80.

DLC Listed:

This product is listed by Design Lights Consortium (DLC) as an ultra-efficient premium product that qualifies for the highest tier of rebates from DLC Member Utilities. Designed to meet DLC 5.1 requirements.
DLC Product Code: S-Z22MB1

Electrical

Driver:

40W:
Constant Current, Class 2, 120-277V, 50/60 Hz, 120V: 0.37A, 208V: 0.21A, 240V: 0.18A, 277V: 0.16A
35W:
Constant Current, Class 2, 120-277V, 50/60 Hz, 120V: 0.32A, 208V: 0.19A, 240V: 0.16A, 277V: 0.14A
30W:
Constant Current, Class 2, 120-277V, 50/60 Hz, 120V: 0.28A, 208V: 0.16A, 240V: 0.14A, 277V: 0.12A
25W:
Constant Current, Class 2, 120-277V, 50/60 Hz, 120V: 0.23A, 208V: 0.13A, 240V: 0.12A, 277V: 0.10A
20W:
Constant Current, Class 2, 120-277V, 50/60 Hz, 120V: 0.18A, 208V: 0.11A, 240V: 0.08A, 277V: 0.08A

Dimming Driver:

Driver includes dimming control wiring for 0-10V dimming systems. Requires separate 0-10V DC dimming circuit. Dims down to 10%.

THD:

6.53% at 120V, 12.61% at 277V

Power Factor:

99.78% at 120V, 99.80% at 277V

Aux Power Supply:

Yes

Dim to Off:

Yes

Battery Backup:

Battery backup will operate the LED Lamp for 90 minutes if power fails. Wired for 120V-277V.

Battery Backup Light Loss Factor:

40W: 0.05
35W: 0.06
30W: 0.07
25W: 0.08
20W: 0.10

Construction

Cold Weather Starting:

The minimum starting temperature is 0°C (32°F)

Maximum Ambient Temperature:

Suitable for use in up to 50°C (122°F)

IC Rated:

Suitable for direct contact with insulation

Housing:

Aluminum

Lens:

Polycarbonate lens

Technical Specifications (continued)

Finish:

Formulated for high durability and long-lasting color

Green Technology:

Mercury and UV free. RoHS-compliant components.

Installation

Mounting:

Recessed into existing T-grid brackets

LED Characteristics

LEDs:

Long-life, high-efficacy, surface-mount LEDs

Color Uniformity:

RAB's range of Correlated Color Temperature follows the guidelines of the American National Standard for Specifications for the Chromaticity of Solid State Lighting (SSL) Products, ANSI C78.377-2017.

Performance

Lifespan:

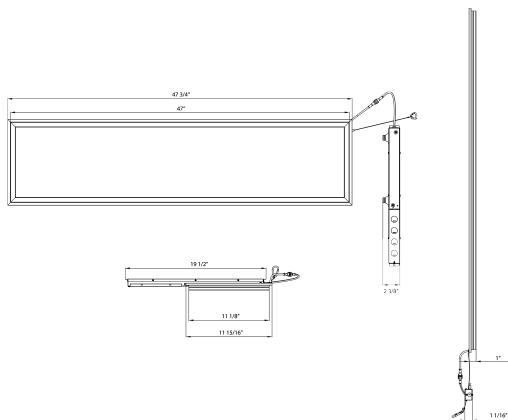
100,000-Hour LED lifespan based on IES LM-80 results and TM-21 calculations

Other

5 Yr Limited Warranty:

The RAB 5-year, limited warranty covers light output, driver performance and paint finish. RAB's warranty is subject to all terms and conditions found at rablighting.com/warranty.

Dimensions



Features

- 100,000-hour LED Life
- DLC Premium Listed
- 0-10V dimming standard
- 5-Year, limited warranty

Ordering Matrix

Family	Size/Wattage	Color Temp	Finish	Driver	Options
FR	1X4				/E
<p>2X2 = 2'x2', 40/35/30/25/20W 1X4 = 1'x4', 40/35/30/25/20W 2X4 = 2'x4', 50/45/40/35/30W</p>	<p>Blank = 3000/3500/4000/5000/6500K CCT Adjustable</p>		<p>Blank = White</p>	<p>Blank = 120-277V, 0-10V Dimming</p>	<p>Blank = No Option /E = Battery Backup /LCB = Lightcloud Blue</p>