



Color: Bronze

Weight: 55.6 lbs

<b>Project:</b>	<b>Type:</b>
<b>Prepared By:</b>	<b>Date:</b>

Driver Info		LED Info	
Type	Constant Current	Watts	340W
120V	0.77A	Color Temp	4000K/R/G/B
208V	0.57A	Color Accuracy	0-86 CRI
240V	0.50A	L70 Lifespan	100,000 Hours
277V	0.43A	Lumens	2619-9213 lm
Input Watts	86.3-94.6W	Efficacy	27.7-102.7 lm/W

## Technical Specifications

### Lightcloud

#### Lightcloud Blue Installed:

Lightcloud Blue is a Bluetooth Mesh wireless lighting control system that allows you to control RAB's various compatible devices. With RAB's patented Rapid Provisioning technology, devices can be quickly and easily commissioned for residential and large commercial applications using the Lightcloud Blue mobile app. Each device in a system can communicate with any other device, eliminating the need for a Gateway or Hub and maximizing the control system's reach.

DLC system - N1XMLOEATBA (Interior);  
NHCZ2BIA17L (Exterior)

Learn more at  
[www.rablighting.com/feature/new-lightcloud-blue](http://www.rablighting.com/feature/new-lightcloud-blue).

#### Gateway Required:

No

#### Communication Protocol:

Bluetooth Mesh

#### Range:

Outdoor: Up to 200 feet clear line of sight; Up to 120 feet around corners

#### Spacing Criteria:

Lightcloud Blue devices should be placed within the specified range to communicate within the Bluetooth Mesh network.

#### Factory Reset:

Method 1: Delete from App  
Open the app and access the device settings for the paired device. Be sure that the device is online and select 'Delete'. The device will flash on/off 5 times and return to full brightness.

#### Method 2: Button

Press and hold reset button until the device begins to flash ON/OFF 3x, then reset to 100% brightness at default CCT.

### SmartShift

#### SmartShift:

SmartShift is the most advanced - yet easiest to use - circadian lighting system, which syncs white color tuning with the local sunrise and sunset. Requires the NANO/LCB (sold separately)

### Compliance

#### UL Listed:

Suitable for wet locations. Suitable for mounting within 4 ft (1.2m) of the ground.

#### IESNA LM-79 & LM-80 Testing:

RAB LED luminaires and LED components have been tested by an independent laboratory in accordance with IESNA LM-79 and LM-80.

#### Trade Agreements Act Compliant:

This product is a product of Cambodia and a "designated country" end product that complies with the Trade Agreements Act

### LED Characteristics

#### LEDs:

Long-life, high-efficacy, discrete, surface-mount LEDs

#### Color Consistency:

7-step MacAdam Ellipse binning to achieve consistent fixture-to-fixture color

#### Color Stability:

LED color temperature is warranted to Shift no more than 200K in color temperature over a 5-year period

#### Color Uniformity:

RAB's range of Correlated Color Temperature follows the guidelines of the American National Standard for (SSL) Products, ANSI C78.377-2017.

### Electrical

#### Surge Protection:

L-N:6KV, L/N-G:10KV

#### Aux Power Supply:

Yes

#### Dim to Off:

Yes

## Technical Specifications (continued)

### Performance

**Lifespan:**

100,000-Hour LED lifespan based on IESlm-80 results and TM-21 calculations

### Sensor Settings

**IP Rating:**

Ingress protection rating of IP66 for dust and water

### Optical

**NEMA Type:**

NEMA Beam Spread 3H x 3V

### Construction

**Cold Weather Starting:**

The minimum starting temperature is -40°F (-40°C)

**Ambient Temperature :**

Max Power Temp Rating: 104°F (40°C)

Low Power Temp Rating: 49.7°C (121.5°F)

**Housing:**

Die-cast aluminum alloy

**Tilt Increment:**

Rotates in 5 degree increments

**Lens:**

Ultra clear, tempered glass

**Reflector:**

Discrete polycarbonate lens per LED

**Vibration Rating:**

3G vibration rating per ANSI C136.31

**Effective Projected Area:**

EPA = 1.0

**Gaskets:**

High-temperature silicone gaskets

**Finish:**

Formulated for high durability and long-lasting color

**Green Technology:**

Mercury and UV free. RoHS-compliant components.

### Installation

**Mounting:**

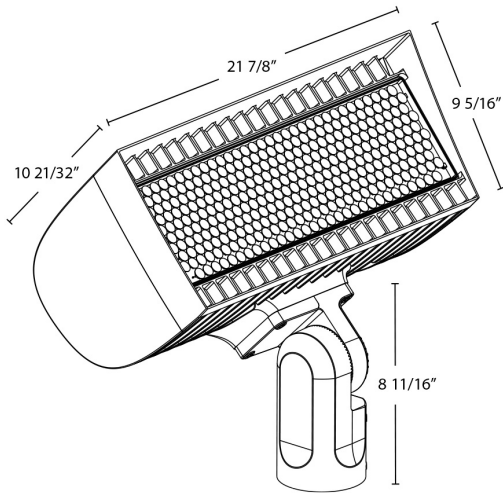
2 3/8" slipfitter mount with stainless steel hardware

### Other

**10-Year, No-Compromise Warranty:**

RAB warrants that our LED products will be free from defects in materials and workmanship for a period of ten (10) years from the date of delivery to the end user, including coverage of light output, color stability, driver performance and fixture finish. RAB's warranty is subject to all terms and conditions found at [rablighting.com/warranty](http://rablighting.com/warranty).

**Dimensions**



**Features**

- 100,000-hour life based on LM-80 results and TM-21 calculations
- IP66 Rating protects against dust & water ingress
- 10-Year, No-Compromise Warranty

**Ordering Matrix**

Family	Housing Size	Color Temp	NEMA Type	Mounting	Finish	Driver	RGB Color Tuning
FXLED	L		B33	SF			/RGB
	L = 340W	Blank = 2200-4000K Tunable White	Blank = 7H x 6V B33 = 3H x 3V B55 = 5H x 5V	SF = Slipfitter T = Trunnion	Blank = Bronze	Blank = 120-277V	/RGB = 16+ million RGB colors