



Color: Bronze

Weight: 20.2 lbs

<b>Project:</b>	<b>Type:</b>
<b>Prepared By:</b>	<b>Date:</b>

Driver Info		LED Info	
Type	Constant Current	Watts	168W
120V	N/A	Color Temp	4000/5000K
208V	N/A	Color Accuracy	81-82 CRI
240V	N/A	L70 Lifespan	100,000 Hours
277V	N/A	Lumens	10563-22727 lm
Input Watts	70.8-168.6W	Efficacy	133.7-150 lm/W

## Technical Specifications

### Field Adjustability

#### Field Adjustable:

Field Adjustable Light Output:  
168W/132W/97W/69W (factory default 168W)  
Color temperature (selectable by 4000K and 5000K)

### Compliance

#### UL Listed:

Suitable for wet locations. Suitable for mounting within 4 ft (1.2m) of the ground.

#### IP Rating:

Ingress protection rating of IP66 for dust and water

### IESNA LM-79 & LM-80 Testing:

RAB LED luminaires and LED components have been tested by an independent laboratory in accordance with IESNA LM-79 and LM-80.

### Trade Agreements Act Compliant:

This product is a product of Cambodia and a "designated country" end product that complies with the Trade Agreements Act

### DLC Listed:

This product is listed by Design Lights Consortium (DLC) as an ultra-efficient premium product that qualifies for the highest tier of rebates from DLC Member Utilities. Designed to meet DLC 5.1 requirements.  
DLC Product Code: S-HK5F7M

### LED Characteristics

#### LEDs:

Long-life, high-efficiency, discrete, surface-mount LEDs

#### Color Consistency:

7-step MacAdam Ellipse binning to achieve consistent fixture-to-fixture color

#### Color Stability:

LED color temperature is warranted to shift no more than 200K in color temperature over a 5-year period

#### Color Uniformity:

RAB's range of Correlated Color Temperature follows the guidelines of the American National Standard for (SSL) Products, ANSI C78.377-2017.

### Electrical

#### Driver:

69W: Constant Current, Class 2, 480V, 50/60 Hz, 480V: 0.15A

97W: Constant Current, Class 2, 480V, 50/60 Hz, 480V: 0.21A

132W: Constant Current, Class 2, 480V, 50/60 Hz, 480V: 0.28A

168W: Constant Current, Class 2, 480V, 50/60 Hz, 480V: 0.35A

### Dimming Driver:

Driver includes dimming control wiring for 0-10V dimming systems. Requires separate 0-10V DC dimming circuit. Dims down to 10%.

#### THD:

3.62% at 480V

#### Power Factor:

97.2% at 480V

#### Surge Protection:

6kV

### 7-Pin Receptacle:

ANSI C136.41 7-pin receptacle, compatible with wireless control systems

### Performance

#### Lifespan:

100,000-Hour LED lifespan based on IES LM-80 results and TM-21 calculations

#### Wattage Equivalency:

168W: 750W Metal Halide  
132W: 400W Metal Halide  
97W: 400W Metal Halide  
69W: 350W Metal Halide

## Technical Specifications (continued)

### Optical

---

**NEMA Type:**

NEMA Beam Spread 6H x 6V

### Construction

---

**Cold Weather Starting:**

The minimum starting temperature is -40°C (-40°F)

**Ambient Temperature :**

Max Power Temp Rating: 40°C (104°F)

Middle Power Temp Rating: 47°C (117°F)

Low Power Temp Rating: 54°C (129°F)

**Housing:**

Die-cast aluminum

**Tilt Increment:**

Rotates in 30 degree increments

**Lens:**

Ultra clear, tempered glass

**Reflector:**

Vacuum metalized polycarbonate

**Vibration Rating:**

3G vibration rating per ANSI C136.31

**Effective Projected Area:**

EPA = 0.37

**Gaskets:**

High-temperature silicone gaskets

**Finish:**

Formulated for high durability and long-lasting color

**Green Technology:**

Mercury and UV free. RoHS-compliant components.

### Installation

---

**Mounting:**

Heavy-duty Trunnion mount with stainless steel hardware

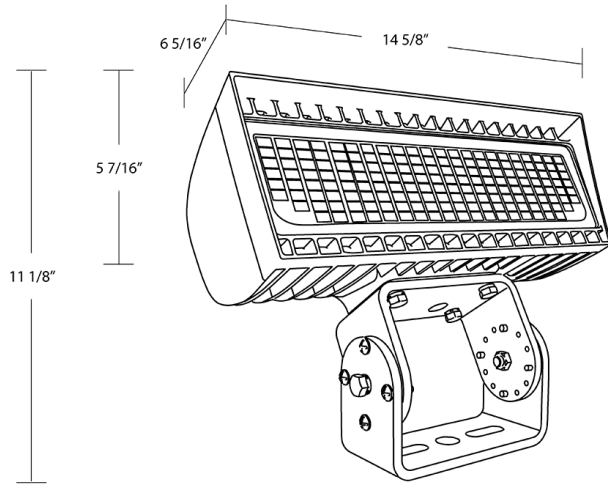
### Other

---

**Warranty:**

RAB warrants that our LED products will be free from defects in materials and workmanship for a period of ten (10) years from the date of delivery to the end user, including coverage of light output, color stability, driver performance and fixture finish. RAB's warranty is subject to all terms and conditions found at [rablighting.com/warranty](http://rablighting.com/warranty).

## Dimensions



## Features

- 100,000-hour life based on LM-80 results and TM-21 calculations
- DLC Premium Listed
- IP66 Rating protects against dust & water ingress
- 10-Year, No-Compromise Warranty

## Ordering Matrix

Family	Housing Size	Color Temp	NEMA Type	Mounting	Finish	Driver	Options
FXLED	S			T		/480	/7PR
	<b>XS</b> = Field Adjustable 80/60/40W <b>S</b> = Field Adjustable 168/132/97/69W <b>M</b> = Field Adjustable 346/213W <b>L</b> = Field Adjustable 534/445W	<b>Blank</b> = 4000/5000K CCT Adjustable	<b>Blank</b> = 6H x 6V (XS&S) or 7H x 6V (M&L) <b>B33</b> = 3H x 3V <sup>1</sup> <b>B55</b> = 5H x 5V <sup>1</sup>	<b>SF</b> = Slipfitter <b>T</b> = Trunnion	<b>Blank</b> = Bronze <b>W</b> = White	<b>Blank</b> = 120-277V, 0-10V Dimming <b>/480</b> = 480V, 0-10V Dimming	<b>Blank</b> = No Option <b>/7PR</b> = 7-Pin receptacle

<sup>1</sup> Available on medium (M) and large (L) sizes only