

Available accessories include polyshield and wire guards, replacement lens and frame, and an occupancy sensor.

Weight: 0.4 lbs

Project:

Type:

Prepared By:

Date:

Technical Specifications

Performance

Description:

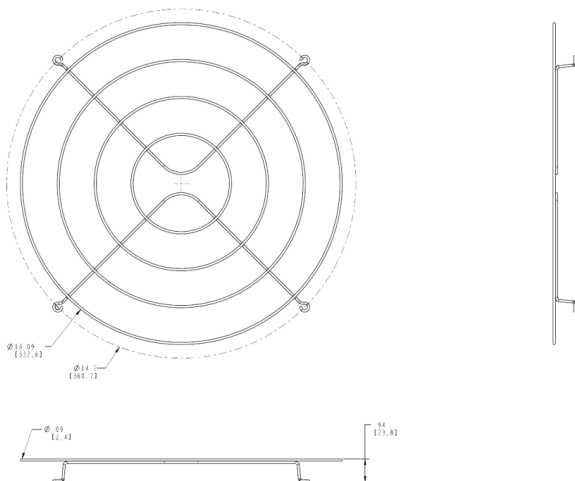
Guard wire for highbay 78W LED with stainless steel screws

Electrical

THD:

6.1% at 120V, 10.1% at 277V

Dimensions



Features

Fully compatible with BAYLED and AISLED fixtures

Commercial grade

For assistance in ordering please contact RAB customer service 1 888-RAB-1000