

GPX SERIES Outdoor Lighting

GPX-18-60W-MCTP-BM
POST DISK LIGHT WITH BELL MOUNT POLE ADAPTER

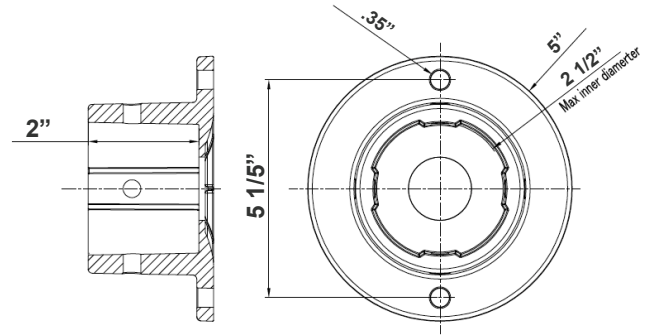
WESTGATE
THE FUTURE IS HERE...AND IT'S QUITE BRIGHT!



BELL MOUNT POLE ADAPTER
(POLE IS NOT INCL. ONLY THE ADAPTER)

Ideal for airports, auto dealerships, corporate offices, education, government, healthcare, industrial warehouses, municipal parking, gas stations, convenient stores, recreation and public venues, restaurants, hospitality, retail and grocery stores.

Customer Name: _____
Project Name: _____
Note: _____ | Type: _____



5 1/2" (W) X 2" (H)
Bracket Inside Diameter: 2 1/2"

Features

- Aluminum Housing ,Outdoor Powder Coated
- 7-Year Warranty
- Multi CCT and Power: Selectable Switch Inside Of The Fixture

Technical Specifications

Electrical:

- Voltage: 100-277V AC 50/60Hz
- Wattage: 18W/30W/45W/60W
- Power Factor: 0.95
- Efficacy: 150LM/W

Mechanical:

- Aluminum Housing , Outdoor Powder Coated
- Bell Mount Pole Adapter/Bracket Goes on Up to 2" Round Poles
- Programmable Bi-Level Motion Sensor & Emergency Backup Options
- Operating Temperature: -86°F~122°F
- IP Rating: IP66, Suitable for Wet Locations
- 7-Year Warranty

Lighting:

- Multi CCT and Power: Selectable Switch Inside Of The Fixture
- Dimmable: 0~10V Dimming
- LED: SMD 3030
- Total Lumens: 9000LM Max.
- Color Temperature: 3000K/4000K/5000K
- Color Rendering index: >70
- Beam Angle: Type V (150° X 150°)
- Lifespan: 70000 Hrs.

Applications:

- Ideal For Garden, Amusement Park, Residential Quater , Industrial Park And Pedestrian street.

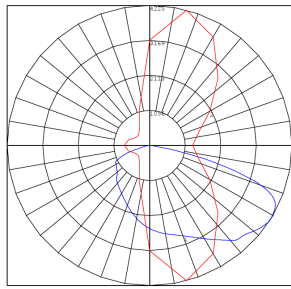


Phone: (877) 805-2252 | Fax: (877) 805-2252
www.westgatemfg.com

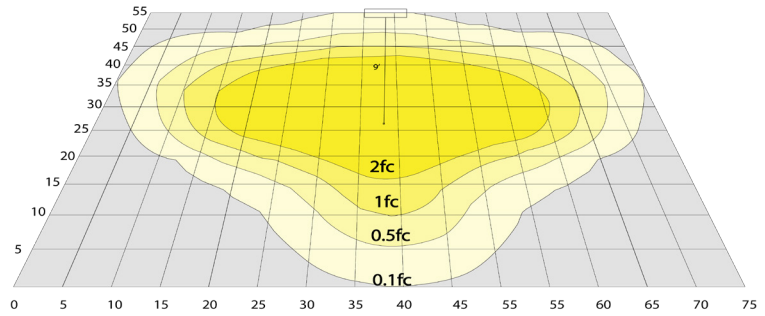


WG-04062022

Photometrics: GPX-18-60W-MCTP-BM

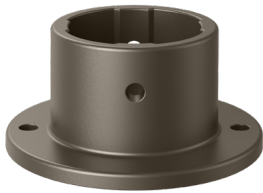


BUD Rating: B1-U1-G0



20W 5000K, Area 55'x 75' Mounting Height: 9'

Other Views:



Adapter



Lens View



Side View

Performance Table: GPX-18-60W-MCTP-BM

| MODEL NO. | Wattage | Voltage | Lumens | Color Temp. | BUG Rating | LPW |
|--------------------|--------------------------|----------|--------------------------------------|-------------------------|------------|-----|
| GPX-18-60W-MCTP-BM | 18W 30W 45W 60W | 120-277V | 2700LM 4500LM 6750LM 9000LM | 3000K 4000K 5000K | B1-U1-G0 | 150 |

Sample Ordering

| Model | Min. Watt | Max. Watt | Color Temp. | Mount |
|-------|-----------|-----------|-------------|-------|
| GPX | 18 | 60W | MCTP | BM |

Factory Installed Options:

Blank = No Option
 OPT-EM-OD2INT = INTERNAL EMERGENCY BACK UP BATTERY
 OPT-3MPC = MICROWAVE PHOTOCELL
 OPT-CLR-95(BK/GR/SR/WH) = COLOR PAINT
 OPT-SEN-3MR-3 = BI-LEVEL MICROWAVE SENSOR
 WEC-8RC = REMOTE CONTROL

FACTORY INSTALLED OPTIONS:



Example:

- GPX-18-60W-MCTP-BM (For GPX 60W MCTP fixture 120V-277V)
- GPX-18-60W-MCTP-BM OPT-EM-OD2INT (For GPX 60W MCTP fixture 120V-277V) (INTERNAL EMERGENCY BACK UP BATTERY)

