



<b>Project:</b>	<b>Type:</b>
<b>Prepared By:</b>	<b>Date:</b>

Driver Info		LED Info	
Type	Constant Current	Watts	25/20/15W
120V	0.21A/0.17A/0.13A	Color Temp	3500/4000/5000K
208V	0.12A/0.10A/0.08A	Color Accuracy	82-86 CRI
240V	0.11A/0.09A/0.07A	L70 Lifespan	50,000 Hours
277V	0.10A/0.08A/0.06A	Lumens	1,798-2,974 lm
Input Watts	25/20/15W	Efficacy	117.4-123.6 lm/W

## Technical Specifications

### Field Adjustability

#### Field Adjustable:

Field Adjustable Light Output:  
25W/20W/15W (factory default 25W)  
Color temperature selectable by 5000K, 4000K and 3500K (factory default 4000K)

### Compliance

#### UL Listed:

Suitable for damp locations

#### IESNA LM-79 & LM-80 Testing:

RAB LED luminaires and LED components have been tested by an independent laboratory in accordance with IESNA LM-79 and LM-80.

#### DLC Listed:

This product is on the Design Lights Consortium (DLC) Qualified Products List and is eligible for rebates from DLC Member Utilities. Designed to meet DLC 5.1 requirements.  
DLC Product Code: S-TXS13W (Direct Linear Ambient Luminaires)

### Electrical

#### Driver:

Constant Current, Class 2, Class P, 120-277V, 50/60 Hz  
25W: 120V: 0.21A, 208V: 0.12A, 240V: 0.11A, 277V: 0.1A  
20W: 120V: 0.17A, 208V: 0.1A, 240V: 0.09A, 277V: 0.08A  
15W: 120V: 0.13A, 208V: 0.08A, 240V: 0.07A, 277V: 0.06A

#### Dimming Driver:

Driver includes dimming control wiring for 0-10V dimming systems. Requires separate 0-10V DC dimming circuit. Dims down to 10%.

#### THD:

6.6% at 120V, 14.51% at 277V

#### Power Factor:

99.44% at 120V, 94.47% at 277V

#### Surge Protection:

L-N: 1KV  
L/N-PG: 2KV

#### Battery Backup:

Battery backup will operate the fixture for 90 minutes if power fails. Wired for 120-277V.

### Battery Backup Light Loss Factor:

25W: 0.15  
20W: 0.18  
14W: 0.25

### Performance

#### Lifespan:

50,000-Hour LED lifespan based on IES LM-80 results and TM-21 calculations

#### Wattage Equivalency:

25W: Replaces up to (1) F32T8 or (3) F17T8  
20W: Replaces up to (1) F32T8 or (2) F17T8  
15W: Replaces up to (1) F32T8 or (2) F17T8

### LED Characteristics

#### LEDs:

Long-life, high-efficiency, surface-mount LEDs

#### Color Uniformity:

RAB's range of Correlated Color Temperature follows the guidelines of the American National Standard for Specifications for the Chromaticity of Solid State Lighting (SSL) Products, ANSI C78.377-2017.

### Construction

#### Maximum Ambient Temperature:

Suitable for use in up to 50°C (122°F)

#### Housing:

Color coated steel sheets

**Technical Specifications (continued)****Lens:**

Polycarbonate lens

**Finish:**

Formulated for high durability and long-lasting color

**Green Technology:**

Mercury and UV free. RoHS-compliant components.

**Installation****Mounting:**

Surface mount. Can be mounted with v-hooks (ordered separately).

**Sensor Settings****Operating Voltage:**

12V DC

**Operating Current:**

≤25mA

**Output:**

Dim/0-10V

**Microwave Frequency:**

5.8GHz±75MHz

**Microwave Power:**

&lt;0.3mW

**Stand-by Power:**

≤0.5W

**Detection Area:**

25%/50%/75%/100%

**Hold Time:**

5s/30s/1min/3min/5min/10min/20min/30min

**Daylight Threshold:**

2Lux/10Lux/30Lux/50Lux/80Lux/120Lux/Disable

**Stand-by Period:**

0s/10s/30s/1min/5min/10min/30min/+∞

**Stand-by Dimming Level:**

10%/20%/30%/50%

**Operating Temperature:**

-20°C~+60°C

**Mounting Height:**

Max 12m/39.37ft. Ceiling Mounted

**Detection Range:**

Max 14m/45.92 ft Ceiling Mounted

**Motion Detection:**

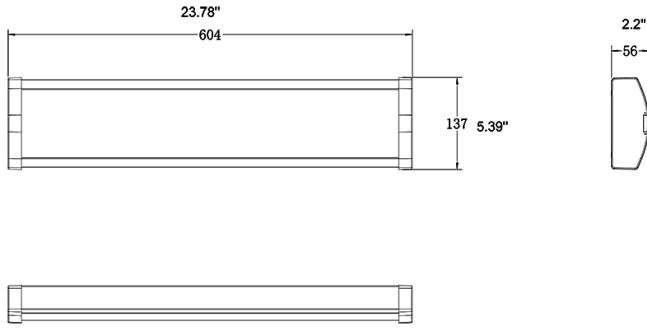
0.5~1.5m/s

**Lux On-Off:**

Adopted dual PD technology. GUS17-MVS is able to differentiate artificial light brightness from natural light after installed inside.

**Remote Control Accessory:**Adjust settings using remote control (catalog# MSR1). Only available with 0-10V dimming driver options. [Remote control available here.](#)**Other****5 Yr Limited Warranty:**The RAB 5-year, limited warranty covers light output, driver performance and paint finish. RAB's warranty is subject to all terms and conditions found at [rablighting.com/warranty](http://rablighting.com/warranty).

**Dimensions**



**Features**

- 50,000-Hour LED lifespan
- 0-10V dimming standard
- DLC Listed
- 5-Year, limited warranty

**Ordering Matrix**

Family	Size/Wattage	Color Temp	Driver	Finish	Options
GUS17	2				/MVS/E
	2 = 2ft (25/20/15W) 4 = 4ft (50/40/30W)	Blank = 3500/4000/5000K CCT Adjustable	Blank = 120-277V, 0-10V Dimming	Blank = White	/LCBS/MVS = Lightcloud Blue w/MVS Sensor /PIR/E = Passive Infrared Occupancy Sensor w/Battery Back Up /MVS/E = Microwave Occupancy Sensor w/Battery Back Up /LCBS/E = Lightcloud Blue PIR Sensor w/Battery Back Up /LCBS/MVS/E = Lightcloud Blue Microwave Occupancy Sensor w/Battery Backup /LCBS = Lightcloud Blue w/PIR Sensor /MVS = Microwave Occupancy Sensor /PIR = Passive Infrared Occupancy Sensor /E = Battery Backup Blank = No Option