



<b>Project:</b>	<b>Type:</b>
<b>Prepared By:</b>	<b>Date:</b>

Driver Info		LED Info	
Type	Constant Current	Watts	50/40/30W
120V	0.42A/0.34A/0.25A	Color Temp	3500/4000/5000K
208V	0.25A/0.20A/0.15A	Color Accuracy	82-86 CRI
240V	0.22A/0.17A/0.13A	L70 Lifespan	50,000 Hours
277V	0.19A/0.15A/0.11A	Lumens	3,662-5,873 lm
Input Watts	50/40/30W	Efficacy	115.4-128.1 lm/W

**Technical Specifications**

**Field Adjustability**

**Field Adjustable:**

Field Adjustable Light Output:  
50W/40W/30W (factory default 50W)  
Color temperature selectable by 5000K, 4000K and 3500K (factory default 4000K)

**Compliance**

**UL Listed:**

Suitable for damp locations

**IESNA LM-79 & LM-80 Testing:**

RAB LED luminaires and LED components have been tested by an independent laboratory in accordance with IESNA LM-79 and LM-80.

**DLC Listed:**

This product is on the Design Lights Consortium (DLC) Qualified Products List and is eligible for rebates from DLC Member Utilities. Designed to meet DLC 5.1 requirements.  
DLC Product Code: S-OZBJQS (Low-Bay Luminaires for Commercial and Industrial Buildings)  
DLC Product Code: S-Y281AB (Direct Linear Ambient Luminaires)

**Electrical**

**Driver:**

Constant Current, Class 2, Class P, 120-277V, 50/60 Hz  
50W: 120V: 0.42A, 208V: 0.25A, 240V: 0.22A, 277V: 0.19A  
40W: 120V: 0.34A, 208V: 0.2A, 240V: 0.17A, 277V: 0.15A  
30W: 120V: 0.25A, 208V: 0.15A, 240V: 0.13A, 277V: 0.11A

**Dimming Driver:**

Driver includes dimming control wiring for 0-10V dimming systems. Requires separate 0-10V DC dimming circuit. Dims down to 10%.

**THD:**

6.6% at 120V, 14.51% at 277V

**Power Factor:**

99.56% at 120V, 95.91% at 277V

**Surge Protection:**

L-N: 1KV  
L/N-PG: 2KV

**Battery Backup:**

Battery backup will operate the fixture for 90 minutes if power fails. Wired for 120-277V.

**Battery Backup Light Loss Factor:**

50W: 0.19  
40W: 0.24  
30W: 0.31

**Performance**

**Lifespan:**

50,000-Hour LED lifespan based on IES LM-80 results and TM-21 calculations

**Wattage Equivalency:**

50W: Replaces up to (3) F32T8  
40W: Replaces up to (2) F32T8  
30W: Replaces up to (2) F32T8

**LED Characteristics**

**LEDs:**

Long-life, high-efficiency, surface-mount LEDs

**Color Uniformity:**

RAB's range of Correlated Color Temperature follows the guidelines of the American National Standard for Specifications for the Chromaticity of Solid State Lighting (SSL) Products, ANSI C78.377-2017.

**Construction**

**Maximum Ambient Temperature:**

Suitable for use in up to 50°C (122°F)

**Housing:**

Color coated steel sheets

**Technical Specifications (continued)****Lens:**

Polycarbonate lens

**Finish:**

Formulated for high durability and long-lasting color

**Green Technology:**

Mercury and UV free. RoHS-compliant components.

**Installation****Mounting:**

Surface mount. Can be mounted with v-hooks (ordered separately).

**Sensor Settings****PIR Sensor Factory Settings:**

Brightness: 100%

Hold Time: 1 Minute

Daylight: Disabled

Sensitivity: 100%

Stand-By Dimming Level: 20%

Stand-By Time: 1 Minute

**Operating Voltage:**

12 ± 2V DC

**Operating Current:**

30mA

**Output:**

DIM 0-10V

**Stand-By Power:**

&lt;0.5W

**Brightness:**

0%-100%/Quick setting: 70%/80%/90%/100%

**Hold Time:**

10s/1min/10min/30min

**Daylight Threshold:**

10Lux/30Lux/50Lux/100Lux/Disable

**Lux On-Off:**

Adopted dual PD technology. GUS17-PIR is able to differentiate artificial light brightness from natural light after installed inside.

**Stand-By Time:**

1min/30min/60min/+∞

**Stand-By Dimming Level:**

10%/20%/30%/50%

**Detection Angle:**

≤120° (wall mounted) 360° (ceiling mounted)

**Control Line:**

Black White 12V+ ; Purple: DIM+ ; Pink GND/DIM-

**Mounting Height:**

Max 6M (ceiling mounted)

**Detection Range:**

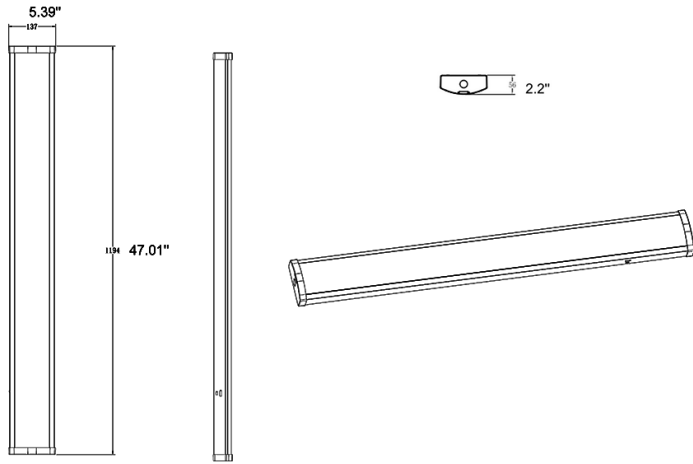
Max 8m (ceiling mounted) Max 6m(wall mounted)

**Operating Temperature:**

-30°C to 60°C (-22°F to 140°F)

**Remote Control Accessory:**Adjust settings using remote control (catalog# MSR1). Only available with 0-10V dimming driver options. [Remote control available here.](#)**Other****5 Yr Limited Warranty:**The RAB 5-year, limited warranty covers light output, driver performance and paint finish. RAB's warranty is subject to all terms and conditions found at [rablighting.com/warranty](http://rablighting.com/warranty).

**Dimensions**



**Features**

- 50,000-Hour LED lifespan
- 0-10V dimming standard
- DLC Listed
- 5-Year, limited warranty

**Ordering Matrix**

Family	Size/Wattage	Color Temp	Driver	Finish	Options
GUS17	4 2 = 2ft (25/20/15W) 4 = 4ft (50/40/30W)	Blank = 3500/4000/5000K CCT Adjustable	Blank = 120-277V, 0-10V Dimming	Blank = White	/PIR/E  /LCBS/MVS = Lightcloud Blue w/MVS Sensor /PIR/E = Passive Infrared Occupancy Sensor w/Battery Back Up /MVS/E = Microwave Occupancy Sensor w/Battery Back Up /LCBS/E = Lightcloud Blue PIR Sensor w/Battery Back Up /LCBS/MVS/E = Lightcloud Blue Microwave Occupancy Sensor w/Battery Backup /LCBS = Lightcloud Blue w/PIR Sensor /MVS = Microwave Occupancy Sensor /PIR = Passive Infrared Occupancy Sensor /E = Battery Backup Blank = No Option