



Project:	Type:
Prepared By:	Date:

Driver Info		LED Info	
Type	Constant Current	Watts	50/40/30W
120V	0.42A/0.34A/0.25A	Color Temp	3500/4000/5000K
208V	0.25A/0.20A/0.15A	Color Accuracy	82-86 CRI
240V	0.22A/0.17A/0.13A	L70 Lifespan	50,000 Hours
277V	0.19A/0.15A/0.11A	Lumens	3,662-5,873 lm
Input Watts	50/40/30W	Efficacy	115.4-128.1 lm/W

Technical Specifications

Field Adjustability

Field Adjustable:

Field Adjustable Light Output:
50W/40W/30W (factory default 50W)
Color temperature selectable by 5000K, 4000K and 3500K (factory default 4000K)

Compliance

UL Listed:

Suitable for damp locations

IESNA LM-79 & LM-80 Testing:

RAB LED luminaires and LED components have been tested by an independent laboratory in accordance with IESNA LM-79 and LM-80.

DLC Listed:

This product is on the Design Lights Consortium (DLC) Qualified Products List and is eligible for rebates from DLC Member Utilities. Designed to meet DLC 5.1 requirements.
DLC Product Code: S-OZBJQS (Low-Bay Luminaires for Commercial and Industrial Buildings)
DLC Product Code: S-Y281AB (Direct Linear Ambient Luminaires)

Electrical

Driver:

Constant Current, Class 2, Class P, 120-277V, 50/60 Hz
50W: 120V: 0.42A, 208V: 0.25A, 240V: 0.22A, 277V: 0.19A
40W: 120V: 0.34A, 208V: 0.2A, 240V: 0.17A, 277V: 0.15A
30W: 120V: 0.25A, 208V: 0.15A, 240V: 0.13A, 277V: 0.11A

Dimming Driver:

Driver includes dimming control wiring for 0-10V dimming systems. Requires separate 0-10V DC dimming circuit. Dims down to 10%.

THD:

6.6% at 120V, 14.51% at 277V

Power Factor:

99.56% at 120V, 95.91% at 277V

Surge Protection:

L-N: 1KV
L/N-PG: 2KV

Performance

Lifespan:

50,000-Hour LED lifespan based on IES LM-80 results and TM-21 calculations

Wattage Equivalency:

50W: Replaces up to (3) F32T8
40W: Replaces up to (2) F32T8
30W: Replaces up to (2) F32T8

LED Characteristics

LEDs:

Long-life, high-efficiency, surface-mount LEDs

Color Uniformity:

RAB's range of Correlated Color Temperature follows the guidelines of the American National Standard for Specifications for the Chromaticity of Solid State Lighting (SSL) Products, ANSI C78.377-2017.

Construction

Cold Weather Starting:

The minimum starting temperature is -20°C (-4°F)

Ambient Temperature :

Max Power Temp Rating: 45°C (113°F)
Middle Power Temp Rating: 48°C (119°F)
Low Power Temp Rating: 53°C (127°F)

Housing:

Color coated steel sheets

Lens:

Polycarbonate lens

Technical Specifications (continued)**Finish:**

Formulated for high durability and long-lasting color

Green Technology:

Mercury and UV free. RoHS-compliant components.

Installation**Mounting:**

Surface mount. Can be mounted with v-hooks (ordered separately).

Sensor Settings**PIR Sensor Factory Settings:**

Brightness: 100%
 Hold Time: 1 Minute
 Daylight: Disabled
 Sensitivity: 100%
 Stand-By Dimming Level: 20%
 Stand-By Time: 1 Minute

Operating Voltage:

12 ± 2V DC

Operating Current:

30mA

Output:

DIM 0-10V

Stand-By Power:

<0.5W

Brightness:

0%-100%/Quick setting: 70%/80%/90%/100%

Hold Time:

10s/1min/10min/30min

Daylight Threshold:

10Lux/30Lux/50Lux/100Lux/Disable

Lux On-Off:

Adopted dual PD technology. GUS17-PIR is able to differentiate artificial light brightness from natural light after installed inside.

Stand-By Time:

1min/30min/60min/+∞

Stand-By Dimming Level:

10%/20%/30%/50%

Detection Angle:

≤120° (wall mounted) 360° (ceiling mounted)

Control Line:

Black White 12V+ ; Purple: DIM+ ; Pink GND/DIM-

Mounting Height:

Max 6M (ceiling mounted)

Detection Range:

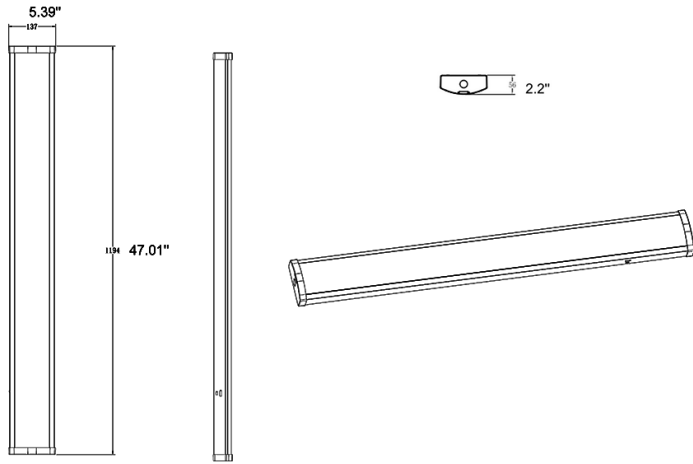
Max 8m (ceiling mounted) Max 6m(wall mounted)

Operating Temperature:

-30°C to 60°C (-22°F to 140°F)

Remote Control Accessory:Adjust settings using remote control (catalog# MSR1). Only available with 0-10V dimming driver options. [Remote control available here.](#)**Other****5 Yr Limited Warranty:**The RAB 5-year, limited warranty covers light output, driver performance and paint finish. RAB's warranty is subject to all terms and conditions found at rablighting.com/warranty.

Dimensions



Features

- 50,000-Hour LED lifespan
- 0-10V dimming standard
- DLC Listed
- 5-Year, limited warranty

Ordering Matrix

Family	Size/Wattage	Color Temp	Driver	Finish	Options
GUS17	4 2 = 2ft (25/20/15W) 4 = 4ft (50/40/30W)	Blank = 3500/4000/5000K CCT Adjustable	Blank = 120-277V, 0-10V Dimming	Blank = White	/PIR /LCBS/MVS = Lightcloud Blue w/MVS Sensor /PIR/E = Passive Infrared Occupancy Sensor w/Battery Back Up /MVS/E = Microwave Occupancy Sensor w/Battery Back Up /LCBS/E = Lightcloud Blue PIR Sensor w/Battery Back Up /LCBS/MVS/E = Lightcloud Blue Microwave Occupancy Sensor w/Battery Backup /LCBS = Lightcloud Blue w/PIR Sensor /MVS = Microwave Occupancy Sensor /PIR = Passive Infrared Occupancy Sensor /E = Battery Backup Blank = No Option