



Color: White

Weight: 4.7 lbs

<b>Project:</b>	<b>Type:</b>
<b>Prepared By:</b>	<b>Date:</b>

Driver Info		LED Info	
Type	Constant Current	Watts	100/80/60W
120V	0.83A/0.67A/0.50A	Color Temp	3000/4000/5000K
208V	0.48A/0.38A/0.29A	Color Accuracy	81-83 CRI
240V	0.42A/0.33A/0.25A	L70 Lifespan	100,000 Hours
277V	0.36A/0.29A/0.22A	Lumens	9,205-14,959 lm
Input Watts	57.78-95.9W	Efficacy	143.1-169.9 lm/W

## Technical Specifications

### Field Adjustability

#### Field Adjustable:

Field Adjustable Light Output:  
100W/80W/60W (factory default 100W)  
Color temperature selectable by 3000K, 4000K and 5000K (factory default 4000K)

### Compliance

#### UL Listed:

Suitable for wet locations

#### IESNA LM-79 & LM-80 Testing:

RAB LED luminaires and LED components have been tested by an independent laboratory in accordance with IESNA LM-79 and LM-80.

#### IP Rating:

Ingress protection rating of IP65 for dust and water

#### DLC Listed:

This product is listed by Design Lights Consortium (DLC) as an ultra-efficient premium product that qualifies for the highest tier of rebates from DLC Member Utilities. Designed to meet DLC 5.1 requirements.  
DLC Product Code: S-4711ZQ

### Electrical

#### Driver:

100W: Constant Current, Class 1, 120-277V, 50/60Hz,  
120V: 0.83A, 208V: 0.48A, 240V: 0.42A, 277V: 0.36A  
80W: Constant Current, Class 1, 120-277V, 50/60Hz,  
120V: 0.67A, 208V: 0.38A, 240V: 0.33A, 277V: 0.29A  
60W: Constant Current, Class 1, 120-277V, 50/60Hz,  
120V: 0.50A, 208V: 0.29A, 240V: 0.25A, 277V: 0.22A

#### Dimming Driver:

Driver includes wiring for 0-10V dimming systems.  
Dim as low as 10%.

#### Power Factor:

100W: 99.7% at 120V, 90.9% at 277V  
80W: 99.7% at 120V, 87.3% at 277V  
60W: 99.5% at 120V, 81.5% at 277V

#### Surge Protection:

L-N: 4kV  
L/N-PE: 6kV

### LED Characteristics

#### LEDs:

Long-life, high-efficacy, surface-mount LEDs

#### Color Consistency:

7-step MacAdam Ellipse binning to achieve consistent fixture-to-fixture color

### Color Uniformity:

RAB's range of Correlated Color Temperature follows the guidelines of the American National Standard for Specifications for the Chromaticity of Solid State Lighting (SSL) Products, ANSI C78.377-2017.

### Construction

#### Cold Weather Starting:

The minimum starting temperature is -40°C (-40°F)

#### Ambient Temperature :

Max Power Temp Rating: 50°C (122°F)  
Middle Power Temp Rating: 57°C (135°F)  
Low Power Temp Rating: 63°C (145°F)

#### Housing:

Precision die-cast aluminum

#### Lens:

Polycarbonate lens

#### Reflector:

Polycarbonate and Aluminum (Reflector Accessories Sold Separately)

#### Cord & Plug:

6 ft cord and NEMA 5-15P plug for 120V only

## Technical Specifications (continued)

### Finish:

Formulated for high durability and long-lasting color

### Green Technology:

Mercury and UV free. RoHS-compliant components.

### Installation

#### Mounting:

Comes standard with a hanging hook and a 6-foot cord. Heavy-duty 3/4"-14 NPT hook and 3/4"-14 pendant mount capable (pendant by others)

### Other

#### Compatible Products:

[H17 Field-Adjustable High Bay Accessories](#)

#### 5 Yr Limited Warranty:

The RAB 5-year, limited warranty covers light output, driver performance and paint finish. RAB's warranty is subject to all terms and conditions found at [rablighting.com/warranty](http://rablighting.com/warranty).

### Performance

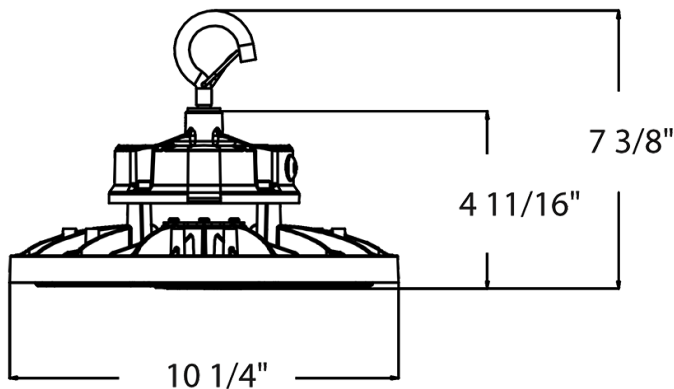
#### Wattage Equivalency:

100W: Equivalent to (8) F32T8 or (3) F5HO or 350W MH

80W: Equivalent to (7) F32T8 or (3) F5HO or 250W MH

60W: Equivalent to (6) F32T8 or (2) F5HO or 200W MH

## Dimensions



## Features

- DLC Premium listed
- 100,000-hour LED Life
- 0-10V dimming standard
- 5-Year, limited warranty

## Ordering Matrix

Family	Wattage	Mounting	Color Temp	Finish	Driver	Options
H17	S					/6CP
	S = 100/80/60W Blank = 150/120/100W XL = 240/200/150W XXL = 500/400/300W	Blank = Hook	Blank = 3000/4000/5000K	B = Black Blank = White	Blank = 120-277V, 0-10V Dimming /480 = 480V, 0-10V Dimming	Blank = No Option /6CP = 6' Cord & 120V Plug /6CP2 = 6' Cord & 277V Plug /6CPT4 = 6' Cord & 480V Plug /LCBS = Lightcloud Blue w/PIR Sensor