



Project:	Type:
Prepared By:	Date:

Driver Info		LED Info	
Type	Constant Current	Watts	500/400/300W
120V	4.00A/3.33A/2.50A	Color Temp	3000/4000/5000K
208V	2.31A/1.92A/1.44A	Color Accuracy	81-84 CRI
240V	2.00A/1.67A/1.25A	L70 Lifespan	100,000 Hours
277V	1.73A/1.44A/1.08A	Lumens	49,020-79,203 lm
Input Watts	292.9-489.8W	Efficacy	147.3-178 lm/W

Technical Specifications

Field Adjustability

Field Adjustable:

Field Adjustable Light Output:
500W/400W/300W (factory default 500W)
Color temperature selectable by 3000K, 4000K and 5000K (factory default 4000K)

Compliance

UL Listed:

Suitable for wet locations

IESNA LM-79 & LM-80 Testing:

RAB LED luminaires and LED components have been tested by an independent laboratory in accordance with IESNA LM-79 and LM-80.

IP Rating:

Ingress protection rating of IP65 for dust and water

DLC Listed:

This product is listed by Design Lights Consortium (DLC) as an ultra-efficient premium product that qualifies for the highest tier of rebates from DLC Member Utilities. Designed to meet DLC 5.1 requirements.

DLC Product Code: S-YB69RP

Electrical

Driver:

500W: Constant Current, Class 1, 120-277V, 50/60Hz,
120V: 4.00A, 208V: 2.31A, 240V: 2.00A, 277V: 1.73A
400W: Constant Current, Class 1, 120-277V, 50/60Hz,
120V: 3.33A, 208V: 1.92A, 240V: 1.67A, 277V: 1.44A
300W: Constant Current, Class 1, 120-277V, 50/60Hz,
120V: 2.50A, 208V: 1.44A, 240V: 1.25A, 277V: 1.08A

Dimming Driver:

Driver includes wiring for 0-10V dimming systems.
Dim as low as 10%.

Power Factor:

500W: 99.7% at 120V, 95.5% at 277V
400W: 99.6% at 120V, 94.3% at 277V
300W: 99.4% at 120V, 91.8% at 277V

Surge Protection:

L-N: 6kV
L/N-PE: 10kV

LED Characteristics

LEDs:

Long-life, high-efficacy, surface-mount LEDs

Color Consistency:

7-step MacAdam Ellipse binning to achieve consistent fixture-to-fixture color

Color Uniformity:

RAB's range of Correlated Color Temperature follows the guidelines of the American National Standard for Specifications for the Chromaticity of Solid State Lighting (SSL) Products, ANSI C78.377-2017.

Construction

Cold Weather Starting:

The minimum starting temperature is -40°C (-40°F)

Ambient Temperature :

Max Power Temp Rating: 50°C (122°F)
Middle Power Temp Rating: 57°C (135°F)
Low Power Temp Rating: 63°C (145°F)

Housing:

Precision die-cast aluminum

Lens:

Polycarbonate lens

Reflector:

Polycarbonate and Aluminum (Reflector Accessories Sold Separately)

Cord & Plug:

6 ft cord and NEMA 5-15P plug for 120V only

Technical Specifications (continued)

Finish:

Formulated for high durability and long-lasting color

Green Technology:

Mercury and UV free. RoHS-compliant components.

Installation

Mounting:

Comes standard with a hanging hook and a 6-foot cord. Heavy-duty 3/4"-14 NPT hook and 3/4"-14 pendant mount capable (pendant by others)

Other

Compatible Products:

[H17 Field-Adjustable High Bay Accessories](#)

5 Yr Limited Warranty:

The RAB 5-year, limited warranty covers light output, driver performance and paint finish. RAB's warranty is subject to all terms and conditions found at rablighting.com/warranty.

Performance

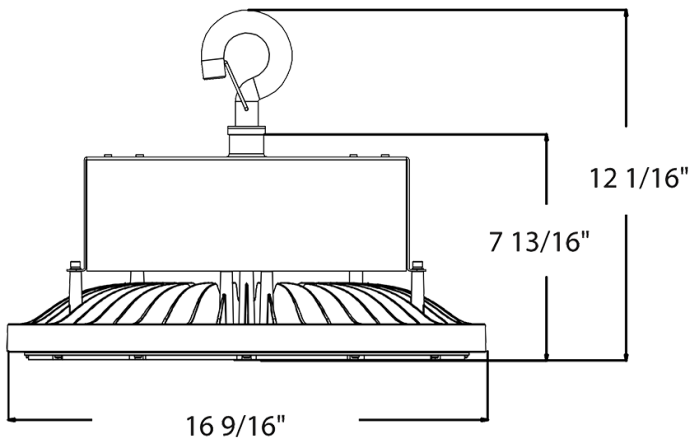
Wattage Equivalency:

500W: Equivalent to 1500W MH

400W: Equivalent to 1500W MH

300W: Equivalent to 1500W MH

Dimensions



Features

- DLC Premium listed
- 100,000-hour LED Life
- 0-10V dimming standard
- 5-Year, limited warranty

Ordering Matrix

Family	Wattage	Mounting	Color Temp	Finish	Driver	Options
H17	XXL					/6CP
	S = 100/80/60W Blank = 150/120/100W XL = 240/200/150W XXL = 500/400/300W	Blank = Hook	Blank = 3000/4000/5000K CCT Adjustable	B = Black Blank = White	Blank = 120-277V, 0-10V Dimming /480 = 480V, 0-10V Dimming	Blank = No Option /6CP = 6' Cord & 120V Plug /6CP2 = 6' Cord & 277V Plug /6CPT4 = 6' Cord & 480V Plug /LCBS = Lightcloud Blue w/PIR Sensor