



Project:	Type:
Prepared By:	Date:

Driver Info		LED Info	
Type	N/A	Watts	150W
120V	N/A	Color Temp	5000K
208V	N/A	Color Accuracy	82 CRI
240V	N/A	L70 Lifespan	100,000 Hours
277V	N/A	Lumens	23,404 lm
Input Watts	154.1W	Efficacy	151.9 lm/W

Technical Specifications

Compliance

UL Listed:

Suitable for wet locations

IESNA LM-79 & LM-80 Testing:

RAB LED luminaires and LED components have been tested by an independent laboratory in accordance with IESNA LM-79 and LM-80.

IP Rating:

Ingress protection rating of IP65 for dust and water

DLC Listed:

This product is listed by Design Lights Consortium (DLC) as an ultra-efficient premium product that qualifies for the highest tier of rebates from DLC Member Utilities. Designed to meet DLC 5.1 requirements.

DLC Product Code: S-B4L152

Electrical

Dimming Driver:

Driver includes wiring for 0-10V dimming systems. Dim as low as 10%.

THD:

4.01% at 480V

Power Factor:

96.64% at 480V

Surge Protection:

L-N: 4kV
L/N-PE: 6kV

LED Characteristics

LEDs:

Long-life, high-efficacy, surface-mount LEDs

Color Consistency:

7-step MacAdam Ellipse binning to achieve consistent fixture-to-fixture color

Color Uniformity:

RAB's range of Correlated Color Temperature follows the guidelines of the American National Standard for Specifications for the Chromaticity of Solid State Lighting (SSL) Products, ANSI C78.377-2017.

Construction

Cold Weather Starting:

The minimum starting temperature is -40°C (-40°F)

Maximum Ambient Temperature:

Suitable for use in up to 50°C (122°F)

Housing:

Precision die-cast aluminum

Lens:

Polycarbonate lens

Reflector:

Polycarbonate and Aluminum (Reflector Accessories Sold Separately)

Finish:

Formulated for high durability and long-lasting color

Green Technology:

Mercury and UV free. RoHS-compliant components.

Installation

Mounting:

Comes standard with a hanging hook and a 6-foot cord. Heavy-duty 3/4"-14 NPT hook and 3/4"-14 pendant mount capable (pendant by others)

Other

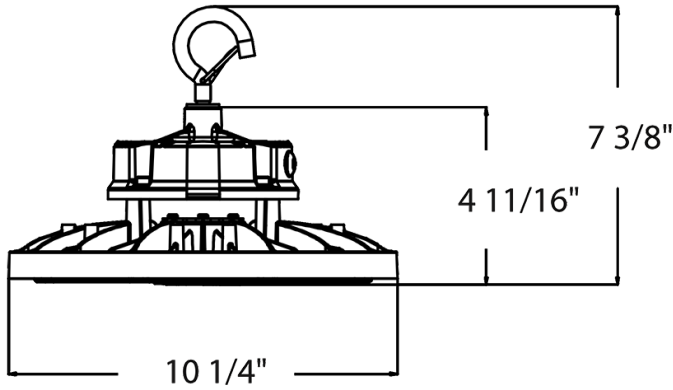
Compatible Products:

[H17 Field-Adjustable High Bay Accessories](#)

5 Yr Limited Warranty:

The RAB 5-year, limited warranty covers light output, driver performance and paint finish. RAB's warranty is subject to all terms and conditions found at rablighting.com/warranty.

Dimensions



Features

- DLC Premium listed
- 100,000-hour LED Life
- 0-10V dimming standard
- 5-Year, limited warranty

Ordering Matrix

Family	Wattage	Mounting	Color Temp	Finish	Driver	Options
H17					/480	
	Blank = 150W XL = 240W	Blank = Hook	Blank = 5000K N = 4000K	Blank = White B = Black	/480 = 480V, 0-10V Dimming	Blank = No Option /LCBS = Lightcloud Blue w/PIR Sensor