



<b>Project:</b>	<b>Type:</b>
<b>Prepared By:</b>	<b>Date:</b>

Driver Info		LED Info	
Type	Constant Current	Watts	150W
120V	1.40A/1.20A/1.00A	Color Temp	3000/4000/5000K
208V	0.80A/0.70A/0.60A	Color Accuracy	83-86 CRI
240V	0.70A/0.60A/0.50A	L70 Lifespan	100,000 Hours
277V	0.60A/0.50A/0.40A	Lumens	15,317-22,224 lm
Input Watts	101-149.1W	Efficacy	140.1-168.8 lm/W

## Technical Specifications

### Field Adjustability

#### Field Adjustable:

Field Adjustable Light Output:  
150W/120W/100W (factory default 150W)  
Color temperature selectable by 3000K, 4000K and 5000K (factory default 4000K)

### Compliance

#### UL Listed:

Suitable for wet locations

#### IESNA LM-79 & LM-80 Testing:

RAB LED luminaires and LED components have been tested by an independent laboratory in accordance with IESNA LM-79 and LM-80.

#### IP Rating:

Ingress protection rating of IP65 for dust and water

#### Certification Model Number:

H17-002

#### DLC Listed:

This product is listed by Design Lights Consortium (DLC) as an ultra-efficient premium product that qualifies for the highest tier of rebates from DLC Member Utilities. Designed to meet DLC 5.1 requirements.  
DLC Product Code: S-AXTFS7

### Electrical

#### Driver:

100W: Constant Current, 120-277V, 50/60Hz, 120V: 0.86A, 208V: 0.50A, 240V: 0.43A, 277V: 0.37A  
120W: Constant Current, 120-277V, 50/60Hz, 120V: 1.03A, 208V: 0.59A, 240V: 0.51A, 277V: 0.44A  
150W: Constant Current, 120-277V, 50/60Hz, 120V: 1.24A, 208V: 0.72A, 240V: 0.62A, 277V: 0.54A

#### Dimming Driver:

Driver includes wiring for 0-10V dimming systems.  
Dim as low as 10%.

#### THD:

3.25% at 120V, 5.6% at 277V

#### Power Factor:

99.71% at 120V, 93.05% at 277V

#### Surge Protection:

L-N: 4kV  
L/N-PE: 6kV

### LED Characteristics

#### LEDs:

Long-life, high-efficacy, surface-mount LEDs

#### Color Consistency:

7-step MacAdam Ellipse binning to achieve consistent fixture-to-fixture color

### Color Uniformity:

RAB's range of Correlated Color Temperature follows the guidelines of the American National Standard for Specifications for the Chromaticity of Solid State Lighting (SSL) Products, ANSI C78.377-2017.

### Construction

#### Cold Weather Starting:

The minimum starting temperature is -40°C (-40°F)

#### Ambient Temperature :

Max Power Temp Rating: 50°C (122°F)  
Middle Power Temp Rating: 57°C (135°F)  
Low Power Temp Rating: 63°C (145°F)

#### Housing:

Precision die-cast aluminum

#### Lens:

Polycarbonate lens

#### Reflector:

Polycarbonate and Aluminum (Reflector Accessories Sold Separately)

#### Cord & Plug:

6 ft cord and NEMA 5-15P plug for 120V only

## Technical Specifications (continued)

### Finish:

Formulated for high durability and long-lasting color

### Green Technology:

Mercury and UV free. RoHS-compliant components.

### Installation

#### Mounting:

Comes standard with a hanging hook and a 6-foot cord. Heavy-duty 3/4"-14 NPT hook and 3/4"-14 pendant mount capable (pendant by others)

### Other

#### Compatible Products:

[H17 Field-Adjustable High Bay Accessories](#)

#### 5 Yr Limited Warranty:

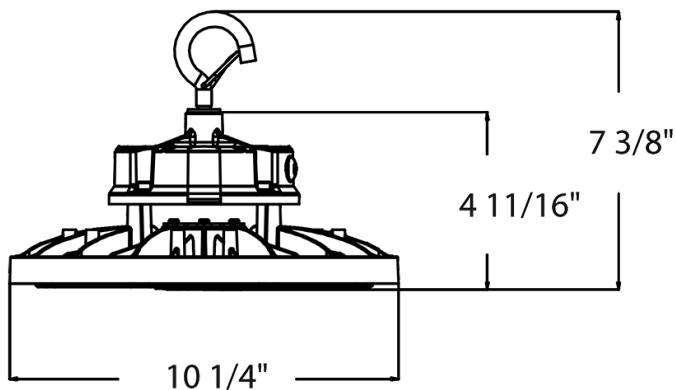
The RAB 5-year, limited warranty covers light output, driver performance and paint finish. RAB's warranty is subject to all terms and conditions found at [rablighting.com/warranty](http://rablighting.com/warranty).

### Performance

#### Wattage Equivalency:

Equivalent to 400W Metal Halide

## Dimensions



## Features

- DLC Premium listed
- 100,000-hour LED Life
- 0-10V dimming standard
- 5-Year, limited warranty

## Ordering Matrix

Family	Wattage	Mounting	Color Temp	Finish	Driver	Options
H17	<p>S = 100/80/60W  <b>Blank</b> = 150/120/100W                      XL = 240/200/150W                      XXL = 500/400/300W</p>	<b>Blank</b> = Hook	<b>Blank</b> = 3000/4000/5000K CCT Adjustable	<p><b>B</b> = Black  <b>Blank</b> = White</p>	<p><b>Blank</b> = 120-277V, 0-10V                      Dimming                      /480 = 480V, 0-10V                      Dimming</p>	<p><b>Blank</b> = No Option                      /6CP = 6' Cord &amp; 120V Plug                      /6CP2 = 6' Cord &amp; 277V Plug                      /6CPT4 = 6' Cord &amp; 480V Plug                      /LCBS = Lightcloud Blue w/PIR                      Sensor</p>