



Color: Black/white

Weight: 0.4 lbs

Project:	Type:
Prepared By:	Date:

Driver Info		LED Info	
Type	Constant Current	Watts	12W
120V	0.11A	Color	Field Adjustable
208V	N/A	Temp	2700/3000/3500/4000/5000K
240V	N/A	Color Accuracy	90 CRI
277V	N/A	L70 Lifespan	50,000 Hours
Input Watts	12W	Lumens	950-1,060 lm
		Efficacy	79-88 lm/W

Technical Specifications

Performance

Description:

4-inch LED downlight module for HALEd

Product Type:

Recessed Downlights

L70 Lifespan:

50,000-Hour LED lifespan based on IES LM-70 results

Dimming:

Yes, See Dimmer Compatibility List

Electrical

Driver:

120V, 60 Hz, 0.11A

THD:

≤20%

Power Factor:

0.9

Input Voltage:

120V.
For 120-277V applications, order with [HAD4/D10](#) (sold separately).

Operating Frequency:

60 Hz

LED Characteristics

Color Temperature:

Field Adjustable: 2700K,3000K,3500K,4000K,5000K

Color Stability:

LED color temperature is warranted to shift no more than 200K in color temperature over a 5-year period

Color Uniformity:

RAB's range of Correlated Color Temperature follows the guidelines of the American National Standard for Specifications for the Chromaticity of Solid State Lighting (SSL) Products, ANSI C78.377-2017.

Construction

Downlight Module Component:

This component must be ordered with the 4" HALEd trim in order to make a complete fixture.
[See here for Round & Square 4" HALEd Trims](#)

Material:

Metal

Trim Style:

Smooth Trim

Shape:

Round

Operating Temperature Range:

-20°C - 40°C (-4°F - 104°F)

IC Rated:

Suitable for direct contact with insulation. Type IC inherently protected, suitable for direct contact to air permeable insulation and cULus listed for damp locations. Not for use in direct contact with spray foam insulation, consult NEMA LSD57-2013.

Expose to UV Light:

Yes

Compliance

UL Listed:

Suitable for wet locations

Energy Star Approved:

This product is ENERGY STAR® Version 2.2 Certified.

FCC:

Complies with Part 15B of the FCC Rules

California Title 24 JA8 Compliant:

Can be used to conform with the requirements of California Title 24 Part 6

Air Tight:

Airtight per ASTM-E283-04

Technical Specifications (continued)

Trade Agreements Act Compliant:

This product is a product of Cambodia and a "designated country" end product that complies with the Trade Agreements Act

Installation

Mounting:

Recessed ceiling

Other

Warranty:

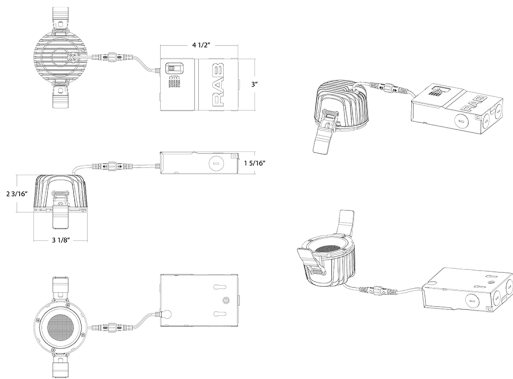
RAB warrants that our LED products will be free from defects in materials and workmanship for a period of five (5) years from the date of delivery to the end user, including coverage of light output, color stability, driver performance and fixture finish. RAB's warranty is subject to all terms and conditions found at rablighting.com/warranty.

Compatible Accessories:

DRI-EMB-15S-LV

2-n-1 Driver + Battery Backup

Dimensions



Features

45-degree optical lens provides uniform light distribution

Dimmable, see Dimmer Compatibility List

IC and airtight rated

Separate snap-in color trims available in round, square, smooth and baffle for in-field installation

50,000-Hour LED lifespan

5-Year, no compromise warranty

Ordering Matrix

Family	Size	Shape	CRI/Color Temp	Driver	Dimming
HA	4				
	4 = 4" 6 = 6"	Blank = Round	Blank = 90 CRI, CCT Adjustable	Blank = 120V Driver	Blank = TRIAC