



Color: Gray

Weight: 53.2 lbs

<b>Project:</b>	<b>Type:</b>
<b>Prepared By:</b>	<b>Date:</b>

Driver Info		LED Info	
Type	Constant Current	Watts	300W
120V	2.53A	Color Temp	5000K
208V	1.46A	Color Accuracy	73 CRI
240V	1.26A	L70 Lifespan	100,000 Hours
277V	1.10A	Lumens	49,322 lm
Input Watts	302.9W	Efficacy	162.8

## Technical Specifications

### Hazardous Location Classifications

#### Class I:

Class I: A hazardous location in which flammable gases or vapors may be present in the air in sufficient quantities to be explosive or ignitable, such as petroleum refineries, aircraft hangars, dry cleaning plants, utility gas plants or storage areas for liquefied petroleum or natural gas, and spray finishing areas.

#### Division 2:

Division 2: Abnormal condition, where ignitable concentrations of flammable gases, vapors or liquids are not like to exist under normal operating conditions, for example:

Closed storage drums containing flammable liquids in an inside storage room would not normal allow the hazardous vapors to escape into the atmosphere. But if one of the containers is leaking, you've got an abnormal condition.

#### Groups A - D:

Groups A - D: The gases and vapors of Class 1 locations are broken into four groups by the Code: A,B,C, and D. These materials are grouped according to the ignition temperature of the substance, its explosion pressure, and other flammable characteristics.

Group A - The only substance in group A is acetylene because it is a gas with extremely high explosion pressures.

Group B - This group includes hydrogen and other materials with similar characteristics.

Group C & D - The most usual Class 1 groups. They comprise the greatest percentage of all Class I hazardous locations. Found in Group C is ethylene. Found in Group D are many of the most common flammable substances such as butane, gasoline, natural gas and propane.

#### NEC/CE T-Code:

T4

#### UL 844:

Electric lighting fixtures for use in hazardous (classified) locations

#### Compliance

##### UL Listed:

Suitable for wet locations. Suitable for mounting within 4 ft (1.2m) of the ground.

#### IESNA LM-79 & LM-80 Testing:

RAB LED luminaires and LED components have been tested by an independent laboratory in accordance with IESNA LM-79 and LM-80.

#### IP Rating:

Ingress protection rating of IP66 for dust and water

#### DLC Listed:

This product is on the Design Lights Consortium (DLC) Qualified Products List and is eligible for rebates from DLC Member Utilities. Designed to meet DLC 5.1 requirements.  
DLC Product Code: S-4DM49W

#### Electrical

##### Driver:

Constant Current, Class 1, 120-277V, 50/60 Hz, 120V: 2.53A, 208V: 1.46A, 240V: 1.26A, 277V: 1.10A

##### Dimming Driver:

Driver includes dimming control wiring for 0-10V dimming systems. Requires separate 0-10V DC dimming circuit. Dims down to 10%.

##### THD:

3.65% at 120V, 5.91% at 277V

##### Power Factor:

99.8% at 120V, 94.5% at 277V

**Technical Specifications (continued)****Aux Power Supply:**

No

**Dim to Off:**

Yes

**Surge Protection:**

L-N: 6 kV

L/N-PE: 10 kV

**Optical****NEMA Type:**

7H x 6V Beam Spread

**BUG Rating:**

B5-U3-G2

**Construction****Cold Weather Starting:**

The minimum starting temperature is -40°F (-40°C)

**Maximum Ambient Temperature:**

Suitable for use in up to 122°F (50°C).

**Housing:**

Die-cast aluminum

**Reflector:**

High-reflective polycarbonate

**Lens:**

Tempered glass

**Vibration Rating:**

3G vibration rating per ANSI C136.31

**Tilt Increment:**

Rotates in 30 degree increments

**Effective Projected Area:**1 Fixture: 0.95 ft<sup>2</sup>2 Fixtures at 90°: 1.79 ft<sup>2</sup>2 Fixtures at 180°: 1.89 ft<sup>2</sup>3 Fixtures at 90°: 2.73 ft<sup>2</sup>4 Fixtures at 90°: 2.73 ft<sup>2</sup>**Gaskets:**

High-temperature silicone

**Green Technology:**

Mercury and UV free. RoHS-compliant components.

**Finish:**

Formulated for high durability and long-lasting color

**LED Characteristics****LEDs:**

Long-life, high-efficacy, surface-mount LEDs

**Color Uniformity:**

RAB's range of Correlated Color Temperature follows the guidelines of the American National Standard for Specifications for the Chromaticity of Solid State Lighting (SSL) Products, ANSI C78.377-2017.

**Color Consistency:**

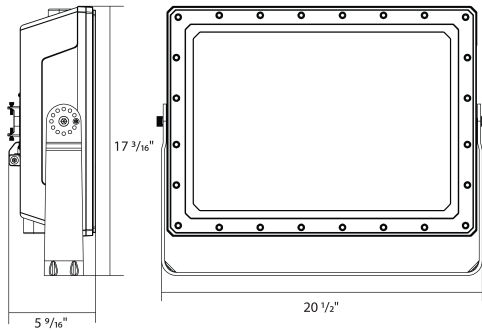
7-step MacAdam Ellipse binning to achieve consistent fixture-to-fixture color

**Performance****Lifespan:**

100,000-Hour LED lifespan based on IES LM-80 results and TM-21 calculations

**Other****5-Year, No-Compromise Warranty:**RAB warrants that our LED products will be free from defects in materials and workmanship for a period of five (5) years from the date of delivery to the end user, including coverage of light output, color stability, driver performance and fixture finish. RAB's warranty is subject to all terms and conditions found at [rablighting.com/warranty](http://rablighting.com/warranty).

## Dimensions



## Features

- Class 1, Division 2, Groups A, B, C, D
- IP66 Rating protects against dust & water ingress
- DLC Listed
- 100,000-Hour LED lifespan
- 5-Year, No-Compromise Warranty

## Ordering Matrix

Family	Wattage	Mounting	Color Temp	NEMA Type	Finish	Driver
HAZFFLED	300			Blank		
	30 = 30W 60 = 60W 100 = 100W 150 = 150W 200 = 200W 300 = 300W 400 = 400W	Blank = Yoke SF = Slipfitter	Blank = 5000K	Blank = 7H x 6V Blank = 6H x 6V	Blank = Gray	Blank = 120-277V, 0-10V Dimming /480 = 480V, 0-10V Dimming