



Color: Gray

Weight: 19.4 lbs

Project:	Type:
Prepared By:	Date:

Driver Info		LED Info	
Type	Constant Current	Watts	120W
120V	1.24A	Color Temp	5000K
208V	0.71A	Color Accuracy	83 CRI
240V	0.66A	L70 Lifespan	100,000 Hours
277V	0.56A	Lumens	19,259 lm
Input Watts	120.1W	Efficacy	160.4

Technical Specifications

Hazardous Location Classifications

UL 844:

Electric lighting fixtures for use in hazardous (classified) locations

Class 1, Division 2 (Groups A, B, C, D):

Class 1 (Hazardous Material in Surrounding Atmosphere):

Flammable vapors or gases may be present

Division 2 (Presence of Hazardous Materials):

Ignitable concentrations of hazards exist only under accidental system breakdowns or abnormal operating conditions

Groups A, B, C, D (Hazardous Material in Surrounding Atmosphere):

A = Acetylene

B = Hydrogen, butadiene, ethylene oxide, propylene oxide and acrolein

C = Ethylene, cyclopropane and ethyl ether

D = Acetone, ammonia, benzene, butane, ethanol,

gasoline, hexane, methane, methanol, naphta,

natural gas, propane & toluene

Construction

IK Rating:

IK10 Protected against 20 joules impact. Equivalent to impact of 11 lbs (5kg) mass dropped from 15.8" (400mm) above impacted surface.

Cold Weather Starting:

The minimum starting temperature is -40°F (-40°C)

Maximum Ambient Temperature:

Suitable for use in up to 104°F (40°C)

Housing:

Aluminum

Lens:

Polycarbonate lens

Gaskets:

High-temperature silicone

Green Technology:

Mercury and UV free. RoHS-compliant components.

Finish:

Formulated for high durability and long-lasting color

Compliance

UL Listed:

Suitable for wet locations

IESNA LM-79 & LM-80 Testing:

RAB LED luminaires and LED components have been tested by an independent laboratory in accordance with IESNA LM-79 and LM-80.

IP Rating:

Ingress protection rating of IP66 for dust and water

DLC Listed:

This product is on the Design Lights Consortium (DLC) Qualified Products List and is eligible for rebates from DLC Member Utilities. Designed to meet DLC 5.1 requirements.

DLC Product Code: S-KZ0ZH9

Electrical

Driver:

Constant Current, Class 1, 120-277V, 50/60 Hz, 120V: 1.24A, 208V: 0.71A, 240V: 0.66A, 277V: 0.56A

Dimming Driver:

Driver includes dimming control wiring for 0-10V dimming systems. Requires separate 0-10V DC dimming circuit. Dims down to 10%.

THD:

3.73% at 120V, 7.81% at 277V

Power Factor:

99.7% at 120V, 91.3% at 277V

Surge Protection:

L-N:6 kV

L/N-FG:10 kV

Technical Specifications (continued)

Aux Power Supply:

Yes

Dim to Off:

Yes

Installation**Mounting:**

Yoke

LED Characteristics**LEDs:**

Long-life, high-efficacy, surface-mount LEDs

Color Uniformity:

RAB's range of Correlated Color Temperature follows the guidelines of the American National Standard for Specifications for the Chromaticity of Solid State Lighting (SSL) Products, ANSI C78.377-2017.

Color Consistency:

7-step MacAdam Ellipse binning to achieve consistent fixture-to-fixture color

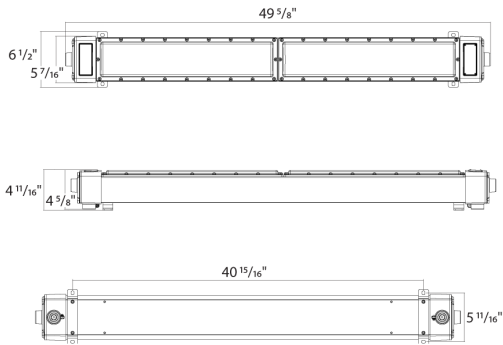
Performance**Lifespan:**

100,000-Hour LED lifespan based on IES LM-80 results and TM-21 calculations

Other**5-Year, No-Compromise Warranty:**

RAB warrants that our LED products will be free from defects in materials and workmanship for a period of five (5) years from the date of delivery to the end user, including coverage of light output, color stability, driver performance and fixture finish. RAB's warranty is subject to all terms and conditions found at rablighting.com/warranty.

Dimensions



Features

- UL 1598 and 844
- IP66 Rating protects against dust & water ingress
- DLC Listed
- 100,000-Hour LED lifespan
- 5-Year, No-Compromise Warranty

Ordering Matrix

Family	Size/Wattage	Mounting	Color Temp	Finish	Driver	Battery Backup
HAZSR	4H					
	2 = 2 ft, 30W 2H = 2 ft, 60W 4 = 4 ft, 50W 4H = 4 ft, 120W	Blank = Surface Mount	Blank = 5000K	Blank = Gray	Blank = 120-277V, 0-10V Dimming	Blank = None /E = Emergency Battery Backup