

Color: Gray

Weight: 21.5 lbs

Project:

Type:

Prepared By:

Date:

### Driver Info

|             |                  |
|-------------|------------------|
| Type        | Constant Current |
| 120V        | 0.84A            |
| 208V        | 0.48A            |
| 240V        | 0.42A            |
| 277V        | 0.36A            |
| Input Watts | 81.2W            |

### LED Info

|                |               |
|----------------|---------------|
| Watts          | 80W           |
| Color Temp     | 5000K         |
| Color Accuracy | 83 CRI        |
| L70 Lifespan   | 100,000 Hours |
| Lumens         | 13,387 lm     |
| Efficacy       | 164.9         |

## Technical Specifications

### Hazardous Location Classifications

#### UL 844:

Electric lighting fixtures for use in hazardous (classified) locations

#### Class 1, Division 2 (Groups A, B, C, D):

Class 1 (Hazardous Material in Surrounding Atmosphere):

Flammable vapors or gases may be present

Division 2 (Presence of Hazardous Materials):

Ignitable concentrations of hazards exist only under accidental system breakdowns or abnormal operating conditions

Groups A, B, C, D (Hazardous Material in Surrounding Atmosphere):

A = Acetylene

B = Hydrogen, butadiene, ethylene oxide, propylene oxide and acrolein

C = Ethylene, cyclopropane and ethyl ether

D = Acetone, ammonia, benzene, butane, ethanol, gasoline, hexane, methane, methanol, naphta, natural gas, propane & toluene

### Construction

#### IK Rating:

IK10 Protected against 20 joules impact. Equivalent to impact of 11 lbs (5kg) mass dropped from 15.8" (400mm) above impacted surface.

#### Cold Weather Starting:

The minimum starting temperature is 0°C (32°F)

#### Maximum Ambient Temperature:

Suitable for use in up to 122°F (50°C)

#### Housing:

Aluminum

#### Lens:

Polycarbonate lens

#### Gaskets:

High-temperature silicone

#### Green Technology:

Mercury and UV free. RoHS-compliant components.

#### Finish:

Formulated for high durability and long-lasting color

### Compliance

#### UL Listed:

Suitable for wet locations

#### IESNA LM-79 & LM-80 Testing:

RAB LED luminaires and LED components have been tested by an independent laboratory in accordance with IESNA LM-79 and LM-80.

#### IP Rating:

Ingress protection rating of IP66 for dust and water

#### DLC Listed:

This product is on the Design Lights Consortium (DLC) Qualified Products List and is eligible for rebates from DLC Member Utilities. Designed to meet DLC 5.1 requirements.

DLC Product Code: S-9HLQPP

### Electrical

#### Driver:

Constant Current, Class 1, 120-277V, 50/60 Hz, 120V: 0.84A, 208V: 0.48A, 240V: 0.42A, 277V: 0.36A

#### Dimming Driver:

Driver includes dimming control wiring for 0-10V dimming systems. Requires separate 0-10V DC dimming circuit. Dims down to 10%.

#### THD:

1.59% at 120V, 10.52% at 277V

#### Power Factor:

99.9% at 120V, 94.6% at 277V

#### Surge Protection:

L-N: 1 kV

L/N-FG: 2 kV

## Technical Specifications (continued)

**Aux Power Supply:**

Yes

**Dim to Off:**

Yes

---

**Installation****Mounting:**

Yoke

---

**LED Characteristics****LEDs:**

Long-life, high-efficacy, surface-mount LEDs

**Color Uniformity:**

RAB's range of Correlated Color Temperature follows the guidelines of the American National Standard for Specifications for the Chromaticity of Solid State Lighting (SSL) Products, ANSI C78.377-2017.

**Color Consistency:**

7-step MacAdam Ellipse binning to achieve consistent fixture-to-fixture color

---

**Performance****Lifespan:**

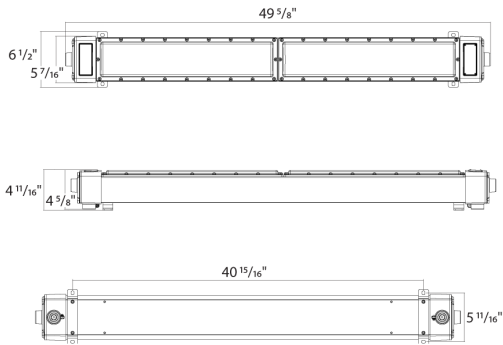
100,000-Hour LED lifespan based on IES LM-80 results and TM-21 calculations

---

**Other****5-Year, No-Compromise Warranty:**

RAB warrants that our LED products will be free from defects in materials and workmanship for a period of five (5) years from the date of delivery to the end user, including coverage of light output, color stability, driver performance and fixture finish. RAB's warranty is subject to all terms and conditions found at [rablighting.com/warranty](http://rablighting.com/warranty).

## Dimensions



## Features

- UL 1598 and 844
- IP66 Rating protects against dust & water ingress
- DLC Listed
- 100,000-Hour LED lifespan
- 5-Year, No-Compromise Warranty

## Ordering Matrix

| Family | Size/Wattage  | Mounting              | Color Temp    | Finish       | Driver                          | Battery Backup                                |
|--------|---|-----------------------|---------------|--------------|---------------------------------|---|
| HAZSR  | 4   |                       |               |              |                                 | /E  |
|        | 2 = 2 ft, 30W<br>2H = 2 ft, 60W<br>4 = 4 ft, 50W<br>4H = 4 ft, 120W | Blank = Surface Mount | Blank = 5000K | Blank = Gray | Blank = 120-277V, 0-10V Dimming | Blank = None<br>/E = Emergency Battery Backup |