



Color: Gray

Weight: 15.4 lbs

<b>Project:</b>	<b>Type:</b>
<b>Prepared By:</b>	<b>Date:</b>

Driver Info		LED Info	
Type	Constant Current	Watts	20W
120V	0.20A	Color Temp	N/A
208V	0.12A	Color Accuracy	N/A
240V	0.11A	L70 Lifespan	50,000 Hours
277V	0.10A	Lumens	1,529 lm
Input Watts	19.3W	Efficacy	76.1

## Technical Specifications

### Hazardous Location Classifications

#### UL 844:

Electric lighting fixtures for use in hazardous (classified) locations

#### Class 1, Division 2 (Groups A, B, C, D):

Class 1 (Hazardous Material in Surrounding Atmosphere):

Flammable vapors or gases may be present

Division 2 (Presence of Hazardous Materials):

Ignitable concentrations of hazards exist only under accidental system breakdowns or abnormal operating conditions

Groups A, B, C, D (Hazardous Material in Surrounding Atmosphere):

A = Acetylene

B = Hydrogen, butadiene, ethylene oxide, propylene oxide and acrolein

C = Ethylene, cyclopropane and ethyl ether

D = Acetone, ammonia, benzene, butane, ethanol, gasoline, hexane, methane, methanol, naphta, natural gas, propane & toluene

#### UL 1598:

Electric lighting fixtures for use in non-hazardous locations

#### UL 1598A:

UL 1598A includes requirements for materials that can withstand exposure to saltwater, humidity, and other corrosive elements.

#### UL 8750:

Light Emitting Diode (LED) Light Sources for Use in Lighting Products

#### Construction

##### IK Rating:

IK08 Protected against 5 joules of impact. Equivalent to the impact of a 3.75 lbs. (1.7kg) mass dropped from 11.8" (300mm) above the impacted surface.

##### Cold Weather Starting:

The minimum starting temperature is 0°C (32°F)

##### Maximum Ambient Temperature:

Suitable for use in up to 122°F (50°C)

##### Housing:

Aluminum

##### Lens:

Glass

##### Gaskets:

High-temperature silicone

##### Green Technology:

Mercury and UV free. RoHS-compliant components.

#### Finish:

Formulated for high durability and long-lasting color

#### Compliance

##### UL Listed:

Suitable for wet locations

##### IESNA LM-79 & LM-80 Testing:

RAB LED luminaires and LED components have been tested by an independent laboratory in accordance with IESNA LM-79 and LM-80.

##### IP Rating:

Ingress protection rating of IP66 for dust and water

#### Electrical

##### Driver:

Constant Current, Class 1, 120-277V, 50/60 Hz, 120V: 0.20A, 208V: 0.12A, 240V: 0.11A, 277V: 0.10A

##### Dimming Driver:

Driver includes dimming control wiring for 0-10V dimming systems. Requires separate 0-10V DC dimming circuit. Dims down to 10%.

##### Surge Protection:

L-N:2 kV

L/N-FG:2 kV



## Technical Specifications (continued)

### Aux Power Supply:

No

### Dim to Off:

Yes

## Installation

---

### Mounting:

Ceiling mount with rotating cap

## LED Characteristics

---

### LEDs:

Long-life, high-efficacy, surface-mount LEDs

### Color Uniformity:

RAB's range of Correlated Color Temperature follows the guidelines of the American National Standard for Specifications for the Chromaticity of Solid State Lighting (SSL) Products, ANSI C78.377-2017.

### Color Consistency:

7-step MacAdam Ellipse binning to achieve consistent fixture-to-fixture color

## Performance

---

### Lifespan:

50,000-Hour LED lifespan based on IES LM-80 results and TM-21 calculations

## Other

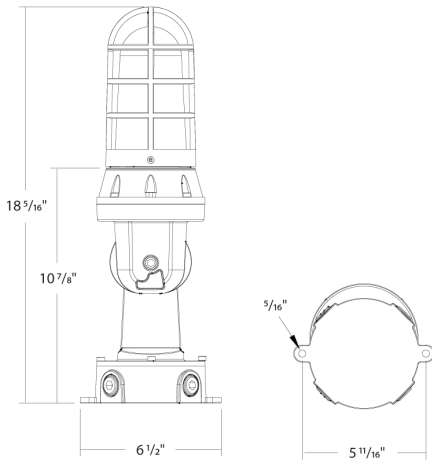
---

### 5-Year, No-Compromise Warranty:

RAB warrants that our LED products will be free from defects in materials and workmanship for a period of five (5) years from the date of delivery to the end user, including coverage of light output, color stability, driver performance and fixture finish. RAB's warranty is subject to all terms and conditions found at [rablighting.com/warranty](http://rablighting.com/warranty).



## Dimensions



## Features

- UL 1598 and 844
- IP66 Rating protects against dust & water ingress
- 50,000-Hour LED lifespan
- 5-Year, No-Compromise Warranty

## Ordering Matrix

Family	Wattage	Color Temp	Mounting	Finish	Lens	Driver	Battery Backup
HAZVX	20	G					
	20 = 20	R = Red LED G = Green LED	Blank = Ceiling Mount	Blank = Gray	Blank = Frosted Globe	Blank = 120-277V, 0-10V Dimming	Blank = None /E = Battery Backup