



Color: Gray

Weight: 44.8 lbs

Project:	Type:
Prepared By:	Date:

Driver Info		LED Info	
Type	Constant Current	Watts	100W
120V	1.04A	Color Temp	5000K
208V	0.59A	Color Accuracy	80 CRI
240V	0.52A	L70 Lifespan	100,000 Hours
277V	0.45A	Lumens	15,613 lm
Input Watts	100W	Efficacy	156.1

Technical Specifications

Hazardous Location Classifications

UL 844:

Electric lighting fixtures for use in hazardous (classified) locations

Class 1, Division 1 (Groups B, C, D):

Class 1 (Hazardous Material in Surrounding Atmosphere):
Flammable vapors or gases may be present

Division 1 (Presence of Hazardous Materials):
Ignitable concentrations of hazards exist only under normal operating conditions

Groups B, C, D (Hazardous Material in Surrounding Atmosphere):
B = Hydrogen, butadiene, ethylene oxide, propylene oxide and acrolein
C = Ethylene, cyclopropane and ethyl ether
D = Acetone, ammonia, benzene, butane, ethanol, gasoline, hexane, methane, methanol, naphtha, natural gas, propane & toluene

Class 1, Division 2 (Groups A, B, C, D):

Class 1 (Hazardous Material in Surrounding Atmosphere):
Flammable vapors or gases may be present

Division 2 (Presence of Hazardous Materials):
Ignitable concentrations of hazards exist only under accidental system breakdowns or abnormal operating conditions

Groups A, B, C, D (Hazardous Material in Surrounding Atmosphere):

A = Acetylene
B = Hydrogen, butadiene, ethylene oxide, propylene oxide and acrolein
C = Ethylene, cyclopropane and ethyl ether
D = Acetone, ammonia, benzene, butane, ethanol, gasoline, hexane, methane, methanol, naphtha, natural gas, propane & toluene

Class 2, Division 1 (Groups E, F, G):

Class 2 (Hazardous Material in Surrounding Atmosphere):
Combustible dust

Division 1 (Presence of Hazardous Materials):
Ignitable concentrations of hazards exist only under normal operating conditions

Groups E, F, G (Hazardous Material in Surrounding Atmosphere):

E = Combustible metal dust: aluminum, commercial alloys, magnesium
F = Combustible carbonaceous dust: carbon black charcoal, coal, coke dusts
G = Other combustibles dusts: chemicals, flour, grain, plastic, and wood

Class 2, Division 2 (Groups F, G):

Class 2 (Hazardous Material in Surrounding Atmosphere):
Combustible dust

Division 2 (Presence of Hazardous Materials):
Ignitable concentrations of hazards exist only under accidental system breakdowns or abnormal operating conditions

Groups F, G (Hazardous Material in Surrounding Atmosphere):

F = Combustible carbonaceous dust: carbon black charcoal, coal, coke dusts
G = Other combustibles dusts: chemicals, flour, grain, plastic, and wood

Technical Specifications (continued)

Class 3:

Class 3 (Hazardous Material in Surrounding Atmosphere):

Easily ignitable flyings or fibers may be present

UL 1598:

Electric lighting fixtures for use in non-hazardous locations

UL 1598A:

UL 1598A includes requirements for materials that can withstand exposure to saltwater, humidity, and other corrosive elements.

Construction

IK Rating:

IK08 Protected against 5 joules of impact. Equivalent to the impact of a 3.75 lbs. (1.7kg) mass dropped from 11.8" (300mm) above the impacted surface.

Cold Weather Starting:

The minimum starting temperature is -40°F (-40°C)

Maximum Ambient Temperature:

Suitable for use in up to 149°F (65°C)

Housing:

Aluminum

Lens:

Glass

Gaskets:

High-temperature silicone

Green Technology:

Mercury and UV free. RoHS-compliant components.

Finish:

Formulated for high durability and long-lasting color

Compliance

UL Listed:

Suitable for wet locations

IESNA LM-79 & LM-80 Testing:

RAB LED luminaires and LED components have been tested by an independent laboratory in accordance with IESNA LM-79 and LM-80.

IP Rating:

Ingress protection rating of IP66 for dust and water

DLC Listed:

This product is on the Design Lights Consortium (DLC) Qualified Products List and is eligible for rebates from DLC Member Utilities. Designed to meet DLC 5.1 requirements.

DLC Product Code: S-SJ3QKH

Electrical

Driver:

Constant Current, Class 1, 120-277V, 50/60 Hz, 120V: 1.04A, 208V: 0.59A, 240V: 0.52A, 277V: 0.45A

Dimming Driver:

Driver includes dimming control wiring for 1-10V dimming systems. Requires separate 1-10V DC dimming circuit. Dims down to 10%.

THD:

3.85% at 120V, 11.5% at 277V

Power Factor:

99.8% at 120V, 96.6% at 277V

Surge Protection:

L-N:6 kV

L/N-FG:10 kV

Aux Power Supply:

No

Dim to Off:

No

Installation

Mounting:

Surface and pendant mount. Remove yoke for pendant mount.

LED Characteristics

LEDs:

Long-life, high-efficacy, surface-mount LEDs

Color Uniformity:

RAB's range of Correlated Color Temperature follows the guidelines of the American National Standard for Specifications for the Chromaticity of Solid State Lighting (SSL) Products, ANSI C78.377-2017.

Color Consistency:

7-step MacAdam Ellipse binning to achieve consistent fixture-to-fixture color

Performance

Lifespan:

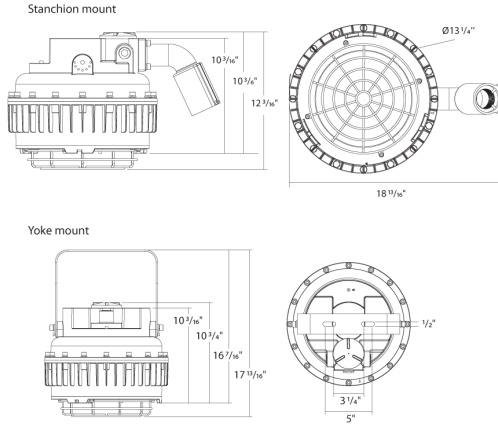
100,000-Hour LED lifespan based on IES LM-80 results and TM-21 calculations

Other

5-Year, No-Compromise Warranty:

RAB warrants that our LED products will be free from defects in materials and workmanship for a period of five (5) years from the date of delivery to the end user, including coverage of light output, color stability, driver performance and fixture finish. RAB's warranty is subject to all terms and conditions found at rablighting.com/warranty.

Dimensions



Features

- UL 1598 and 844
- IP66 Rating protects against dust & water ingress
- DLC Listed
- 100,000-Hour LED lifespan
- 5-Year, No-Compromise Warranty

Ordering Matrix

Family	Wattage	Color Temp	Mounting	Finish	Lens/Globe	Driver
HAZX	100				CF	
	40 = 40W 80 = 80W 100 = 100W 150 = 150W 200 = 200W	Blank = 5000K	Blank = Yoke Mount Installed, Stanchion Mount Included	Blank = Gray	CF = Clear Flat Lens	Blank = 120-277V, 0-10V Dimming /480 = 480V, 0-10V Dimming