



Color: Gray

Weight: 26.2 lbs

**Project:**

**Type:**

**Prepared By:**

**Date:**

### Driver Info

Type	Constant Current
120V	0.42A
208V	0.24A
240V	0.20A
277V	0.18A
Input Watts	39W

### LED Info

Watts	40W
Color Temp	5000K
Color Accuracy	80 CRI
L70 Lifespan	100,000 Hours
Lumens	5,394 lm
Efficacy	138.3

## Technical Specifications

### Hazardous Location Classifications

#### UL 844:

Electric lighting fixtures for use in hazardous (classified) locations

#### Class 1, Division 1 (Groups B, C, D):

Class 1 (Hazardous Material in Surrounding Atmosphere):

Flammable vapors or gases may be present

Division 1 (Presence of Hazardous Materials):

Ignitable concentrations of hazards exist only under normal operating conditions

Groups B, C, D (Hazardous Material in Surrounding Atmosphere):

B = Hydrogen, butadiene, ethylene oxide, propylene oxide and acrolein

C = Ethylene, cyclopropane and ethyl ether

D = Acetone, ammonia, benzene, butane, ethanol, gasoline, hexane, methane, methanol, naphtha, natural gas, propane & toluene

#### Class 1, Division 2 (Groups A, B, C, D):

Class 1 (Hazardous Material in Surrounding Atmosphere):

Flammable vapors or gases may be present

Division 2 (Presence of Hazardous Materials):

Ignitable concentrations of hazards exist only under accidental system breakdowns or abnormal operating conditions

Groups A, B, C, D (Hazardous Material in Surrounding Atmosphere):

A = Acetylene

B = Hydrogen, butadiene, ethylene oxide, propylene oxide and acrolein

C = Ethylene, cyclopropane and ethyl ether

D = Acetone, ammonia, benzene, butane, ethanol, gasoline, hexane, methane, methanol, naphtha, natural gas, propane & toluene

#### Class 2, Division 1 (Groups E, F, G):

Class 2 (Hazardous Material in Surrounding Atmosphere):

Combustible dust

Division 1 (Presence of Hazardous Materials):

Ignitable concentrations of hazards exist only under normal operating conditions

Groups E, F, G (Hazardous Material in Surrounding Atmosphere):

E = Combustible metal dust: aluminum, commercial alloys, magnesium

F = Combustible carbonaceous dust: carbon black charcoal, coal, coke dusts

G = Other combustibles dusts: chemicals, flour, grain, plastic, and wood

#### Class 2, Division 2 (Groups F, G):

Class 2 (Hazardous Material in Surrounding Atmosphere):

Combustible dust

Division 2 (Presence of Hazardous Materials):

Ignitable concentrations of hazards exist only under accidental system breakdowns or abnormal operating conditions

Groups F, G (Hazardous Material in Surrounding Atmosphere):

F = Combustible carbonaceous dust: carbon black charcoal, coal, coke dusts

G = Other combustibles dusts: chemicals, flour, grain, plastic, and wood

## Technical Specifications (continued)

### Class 3:

Class 3 (Hazardous Material in Surrounding Atmosphere):  
Easily ignitable flyings or fibers may be present

### UL 1598:

Electric lighting fixtures for use in non-hazardous locations

### UL 1598A:

UL 1598A includes requirements for materials that can withstand exposure to saltwater, humidity, and other corrosive elements.

## Construction

### IK Rating:

IK08 Protected against 5 joules of impact. Equivalent to the impact of a 3.75 lbs. (1.7kg) mass dropped from 11.8" (300mm) above the impacted surface.

### Cold Weather Starting:

The minimum starting temperature is -40°F (-40°C)

### Maximum Ambient Temperature:

Suitable for use in up to 131°F (55°C)

### Housing:

Aluminum

### Lens:

Glass

### Gaskets:

High-temperature silicone

### Green Technology:

Mercury and UV free. RoHS-compliant components.

### Finish:

Formulated for high durability and long-lasting color

## Compliance

### UL Listed:

Suitable for wet locations

### IESNA LM-79 & LM-80 Testing:

RAB LED luminaires and LED components have been tested by an independent laboratory in accordance with IESNA LM-79 and LM-80.

### IP Rating:

Ingress protection rating of IP66 for dust and water

### DLC Listed:

This product is on the Design Lights Consortium (DLC) Qualified Products List and is eligible for rebates from DLC Member Utilities. Designed to meet DLC 5.1 requirements.

DLC Product Code: S-QKSMP0

## Electrical

### Driver:

Constant Current, Class 1, 120-277V, 50/60 Hz, 120V: 0.42A, 208V: 0.24A, 240V: 0.20A, 277V: 0.18A

### Dimming Driver:

Driver includes dimming control wiring for 1-10V dimming systems. Requires separate 1-10V DC dimming circuit. Dims down to 10%.

### THD:

3.46% at 120V, 11.69% at 277V

### Power Factor:

99.6% at 120V, 92.0% at 277V

### Surge Protection:

L-N:6 kV

L/N-FG:10 kV

### Aux Power Supply:

No

### Dim to Off:

No

## Installation

### Mounting:

Surface and pendant mount. Remove yoke for pendant mount.

## LED Characteristics

### LEDs:

Long-life, high-efficacy, surface-mount LEDs

### Color Uniformity:

RAB's range of Correlated Color Temperature follows the guidelines of the American National Standard for Specifications for the Chromaticity of Solid State Lighting (SSL) Products, ANSI C78.377-2017.

### Color Consistency:

7-step MacAdam Ellipse binning to achieve consistent fixture-to-fixture color

## Performance

### Lifespan:

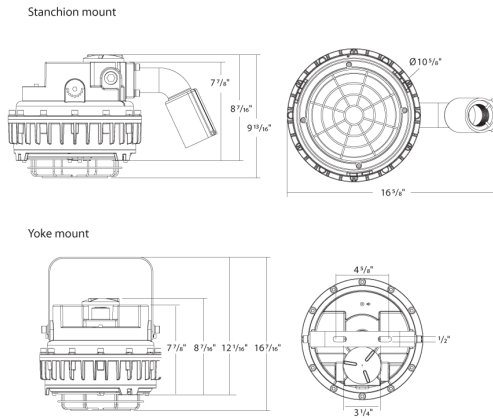
100,000-Hour LED lifespan based on IES LM-80 results and TM-21 calculations

## Other

### 5-Year, No-Compromise Warranty:

RAB warrants that our LED products will be free from defects in materials and workmanship for a period of five (5) years from the date of delivery to the end user, including coverage of light output, color stability, driver performance and fixture finish. RAB's warranty is subject to all terms and conditions found at [rablighting.com/warranty](http://rablighting.com/warranty).

## Dimensions



## Features

- UL 1598 and 844
- IP66 Rating protects against dust & water ingress
- DLC Listed
- 100,000-Hour LED lifespan
- 5-Year, No-Compromise Warranty

## Ordering Matrix

Family	Wattage	Color Temp	Mounting	Finish	Lens/Globe	Driver
HAZX	40				CF	
	40 = 40W 80 = 80W 100 = 100W 150 = 150W 200 = 200W	Blank = 5000K	Blank = Yoke Mount Installed, Stanchion Mount Included	Blank = Gray	CF = Clear Flat Lens	Blank = 120-277V, 0-10V Dimming /480 = 480V, 0-10V Dimming