

PROJECT:	
CATALOG #	
TYPE:	DATE:

LED HIGH BAY CIRCULAR PRO

DESCRIPTION

The Circular High Bay Pro eliminates complexity from lighting projects. Featuring selectable wattage and CCT, a durable prismatic lens, corrosion-resistant coating, and a patented all-in-one 120–480V driver, each fixture delivers up to nine unique combinations to cover virtually any application.

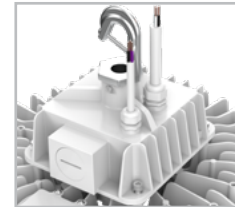
Contractors save time with its lightweight, easy-install design, while distributors streamline inventory and reduce SKUs. Built for performance and reliability, it delivers up to 167 LPW with DLC Premium certification for maximum rebates, plus IP65 protection, 10kV surge suppression, and a 10-year, 100,000-hour warranty.

Smart-control ready with sensor options and Bluetooth app integration, this LED high bay combines flexibility, efficiency, and durability allowing customers to power every project with confidence.



FEATURES

- Selectable Watt & CCT
- All-in-One 120-480V
- DLC 5.1 Premium (Pending)
- 160 | 167LPW
- IP65 Rated
- IK08 Rated
- 100,000 Hour Rated Life
- 10-year Warranty
- Rated for Indoor/Outdoor
- 0-10V Dimming
- Corrosion Resistant Coating
- Polycarbonate Prismatic Lens
- Hook, (standard) or Swivel Yoke (optional) Mounting
- 10' cord
- Safety Cable
- Emergency Battery Backup Available
- Plug-in Sensor with Optional Mobile App Compatibility



APPLICATIONS

- Warehouse & Storage Facilities
- Industrial Facilities
- Sports Facilities & Gyms (Not recommended for Swimming Pools)
- Manufacturing Facilities
- Retail Centers

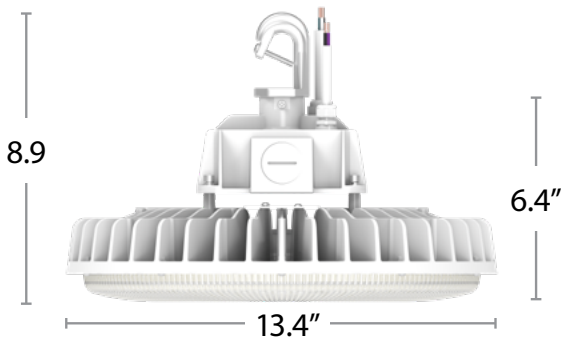
MOUNTING

- Hook (Standard)
- Pendant
- Yoke

DIMENSIONS / WEIGHT

Dimension	Size (In)
Depth	13.4
Height	6.4
Height (With Hook)	8.9

Part	Weight (lbs)
HBCPxXX	12.3



CERTIFICATIONS



SPECIFICATIONS

Life (@L70): 100,000 hours

Warranty: 10 years

PERFORMANCE

Operating Temp: -22°F To 122°F (-30°C To 55°C)

Efficacy (LPW): HBCP150: 160 | HBCP240: 167

CRI: >80

ELECTRICAL

Input Voltage: 120-480V

Input Frequency: 50/60Hz

PF: ≥95

THD: <15%

Surge Protection: 10KV

Dimming: 0-10V

Whip/Cord: 10'

Sensor: Plug-In Occupancy Motion
(Microwave, PIR, and Bluetooth options)

ORDERING

Ordering Code	Description	Watts	Volts	CCT (K)	Lumens
HBCP150	150W High Bay Circular Pro	75 115 150	120-480	3000K 4000K 5000K	12000 18400 24000
HBCP240	240W High Bay Circular Pro	150 190 240	120-480	3000K 4000K 5000K	25100 31700 40100

ACCESSORIES



Ordering Code	Description	Usage
SCR053	Remote Control for plug-in PIR and Microwave sensors	Used (with SC005 & SC006 sensor) to adjust settings after installation from the ground
SCR054	Remote Control for bluetooth plug-in PIR and Microwave sensors	Used to Commission LiteTronics "Next Generation" LiteSmart IR-Enabled Sensor SC008 & SC011
SC005	Plug-in PIR Sensor	Enable occupancy sensing and daylight harvesting on pluggable fixtures.
SC006	Plug-in Microwave Sensor	Enable occupancy sensing and daylight harvesting on pluggable fixtures.
SC008	Plug-in Bluetooth PIR Sensor with IR	This sensor enables wireless control of fixtures, or groups of fixtures, through the LiteSmart mobile app.
SC011	Plug-in Bluetooth PIR Sensor with IR	This UV protected sensor enables a wider range wireless control of fixtures, or groups of fixtures, through the LiteSmart mobile app
EB40P	40W Emergency Battery Backup (120-480V)	Supplies 90 minutes of battery backup to the fixture in times of a power outage. This unit is compatible with fixtures using >100W and <320W. Must be ordered with EBAM indicator module
TR01	Test Remote Control	Used for testing and demonstrating the functionality of EB40P emergency battery backup.
EBAM	Adhesive-Mounted Indicator Module	This Adhesive-Mounted Indicator Module (EBAM) must be used with one of LiteTronics' emergency battery backup products (EB10, EB10N, EB20, or EB40P) to provide a visual confirmation of the operational status of the EBB unit. This module is typically used in open ceiling or drywall ceiling applications where the module is applied to the side of the fixture, mounting kit, or a nearby structural element.
HBCPAM20	Swivel Yoke Mount	Swivel Yoke Mount Cover for High Bay Circular Pro.

OPTICAL

Beam: 100°

Lens: Polycarbonate Prismatic

UGR: <28

PHYSICAL

Finish: Powder Coat

Color: White

Housing: Cast Aluminum

INDUSTRY STANDARDS/RATINGS

IP: 65

IK: 08

Location: Wet

UL/ETL: ETL (Pending)

FCC: Yes

RoHS: Yes

DLC: 5.1 Premium (Pending)

MOUNTING

Standard: Hook (standard), Pendant, Swivel Yoke (Optional)



BCS02



BCS03



BCS05

Ordering Code	Description	Usage
BCS02	Solar Powered Bluetooth Control Switch	Used to control functionality of the fixture; on/off, dimming, daylight harvesting and scene selection. Solar Powered
BCS03	Battery Powered Bluetooth Wall Switch	Used to control functionality of the fixture; on/off, dimming, daylight harvesting and scene selection. Battery Powered
BCS05	AC Powered Bluetooth 7 Button Wall Switch	Used to control functionality of the fixture; on/off, dimming, daylight harvesting and scene selection. AC powered.

WIRELESS CONTROL WITH PLUGGABLE SENSORS

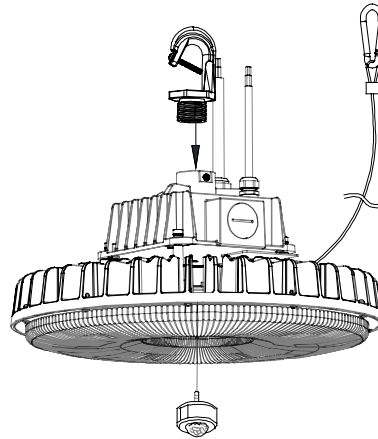


LITESMART



LiteSmart is a mobile app that enables total management of lighting systems at the touch of your fingers. Within the app, all functionality can be set up and controlled; on/off, dimming, grouping, scene creation and time scheduling. Adjustments can also be made to the occupancy sensor and daylight harvesting settings, then implemented across an entire group in seconds. Total control over your lighting system

- Quick and easy changes that can be implemented in seconds across a group of fixtures
- Further energy reduction via occupancy sensing, daylight harvesting and max wattage control
- Ability to create custom scenes based on specific needs, such as presentations
- Time scheduling that sets hours of operation per day



The smart PIR sensor uses a remote control (SCR054) to commission and group Litetronics "Next generation" LiteSmart IR-Enabled SC008 & SC011 Sensor.



The smart PIR sensor uses the LiteSmart mobile app for group setup and management.



Set up and manage your space with LiteSmart. Use the remote switch for everyday control.



WIRELESS SWITCH

Part #BCS02, BCS03 or BCS05

BENEFITS

- Control over key functions for a specific group of lights
- Adjustments are quick and easy, and create an optimized space for a variety of needs
- Further reduce energy via daylight harvesting function, or disable daylight harvesting for full brightness
- Ability to choose between custom scenes based on specific needs within the space

The bluetooth control switch comes in handy for the daily occupants of a space. This switch, which can be wall mounted, enables quick adjustments to be made to a specific group of fixtures. Features include on/off, dimming, daylight harvesting and scene selection. The switch must be set up through the LiteSmart mobile app, but can then function on it's own within any space.

SWITCH CAPABILITIES

- Enable/disable auto daylight harvesting
- Brighten/dim a group or turn on/off the entire group of fixtures
- Program up to 3 scenes per switch