



Project:	Type:
Prepared By:	Date:

Guard protects lamp from damage and vandalism. Die cast aluminum. Fits both H101 and HB101. Can be combined with HH1 Hood or used alone.

Color: Bronze

Weight: 0.4 lbs

Technical Specifications

Construction

Guard:

Fits both H101 and HB101

Material:

Die cast aluminum. No glass with guard.

Hood:

Can also be combined with HH1 Hood

Stealth Accessory:

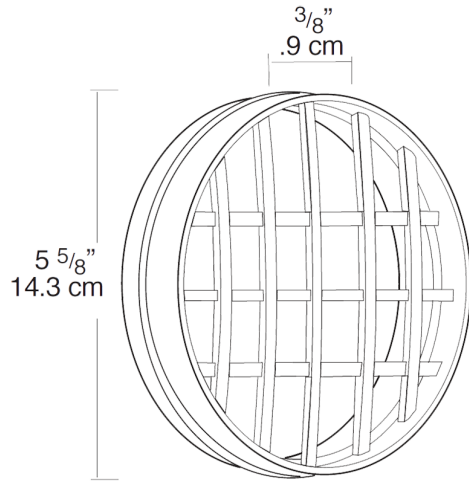
Guard also fits RAB's Stealth Bullet and Bell Flood Kits. [See Stealth Page.](#)

Compliance

Trade Agreements Act Compliant:

This product is a product of Cambodia and a "designated country" end product that complies with the Trade Agreements Act

Dimensions



Features

- Die cast aluminum
- Protects lamp from damage and vandalism
- Fits H101 and HB101