



Hood with tempered glass lens reduces glare and protects lamp from water and impact damage. Die cast aluminum. Fits H101 and HB101. Can be combined with HG1 Guard.

Color: Black

Weight: 0.8 lbs

Project:

Type:

Prepared By:

Date:

Technical Specifications

Construction

Material:

Die cast aluminum

Lens:

Tempered glass lens included

Guard:

Designed to fit the H101 and HB101. Can be combined with HG1 Guard.

Stealth Accessory:

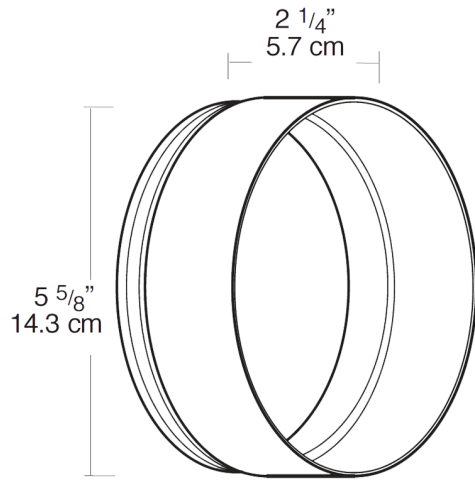
Guards also fit RAB's Stealth Bullet and Bell Flood Kits. [See Stealth Page.](#)

Compliance

Trade Agreements Act Compliant:

This product is a product of Cambodia and a "designated country" end product that complies with the Trade Agreements Act

Dimensions



Features

- Die cast aluminum
- Hood includes tempered glass lens
- Glass lens reduces glare
- Protects lamp from water and impact damage
- Fits H101 and HB101