

Project:	Type:	Prepared By:	Date:
-----------------	--------------	---------------------	--------------



Features and Benefits

- Replacement for traditional Metal Halide or High Pressure Sodium HID Lamps
- Active Cooling: Internal sensor overheat and engaged will automatically reduce output to 70% rated wattage until the sensor cools and will light up again to 100%
- Integral Driver enables lamp to be wired directly to line voltage without need for an external driver or ballast
- Rated for use in enclosed and open fixtures in dry or damp locations
- 4kV surge protection built in
- 50,000 hour Lifespan
- Environmentally friendly, no mercury used
- UL Listed, UL Classified
- 5 Year No Compromise Warranty
- Lamp includes on board low-voltage AUX port for lamp level sensor accessories
- Compatible with RAB specified 0-10V dimming system

Technical Specifications		
Performance <hr/> Product Type: HID Replacement Input Wattage: 100W Wattage Equivalency: 400W HID Lumens: 13,500lm Efficacy: 135lm/W L70 Lifespan: 50,000 Hours Dimming: Compatible with RAB specified 0-10V dimming system. Dimming capabilities were tested and verified on Legrand RH4FBL3PTC 0-10V dimming system.	For Use Outdoors in Open Fixtures: Yes LED Characteristics <hr/> Color Temperature: 4000K Cool White Color Accuracy (CRI): 80 CRI Installation <hr/> Base Type: EX39 Installation Type: Type B, Ballast Bypass Installation Orientation: For Vertical Installation Only Electrical <hr/> THD: <20% Power Factor: >0.9	Operating Temperature: -30°C to 60°C Input Voltage: 100-277V Operating Frequency: 50/60Hz Input Current @ 120V: 0.67mA Flicker: <30% Other <hr/> Warranty: RAB warrants that our LED products will be free from defects in materials and workmanship for a period of five (5) years from the date of delivery to the end user, including coverage of light output, color stability, driver performance and fixture finish. RAB's warranty is subject to all terms and conditions found at rablighting.com/warranty .

Bulb Shape:
Post Top

Technical Specifications (continued)

Compliance

UL Listed:

Yes

UL Classified:

Yes

Certification Model Number:

HID-100-EX39-840-BYP-PT

California Energy Commission (CEC) Status:

Lawful for Sales in California

DLC Listed:

This product is on the Design Lights Consortium (DLC) Qualified Products List and is eligible for rebates from DLC Member Utilities. Designed to meet DLC 5.1 requirements.

DLC Product Code: PLISRZY2JC4G

\

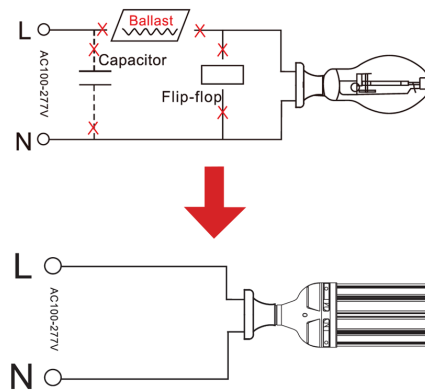
Minimum Compartment Size

Length x Width x Height [in]	Lamp Quantity
10	1

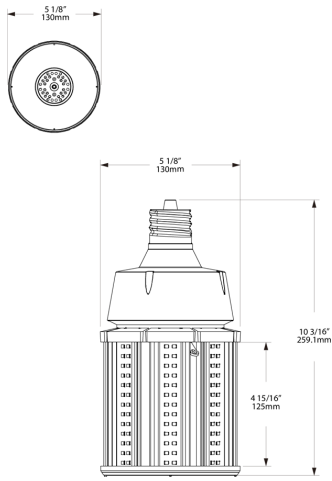
Case and Pallet Dimensions

	QTY	LENGTH (in)	WIDTH (in)	HEIGHT (in)
CASE	6	19.8	14.4	14
PALLET	18	30.8	41.6	47.4

Wiring Diagram



Dimension



Light Distribution

