

<b>Project:</b>	<b>Type:</b>	<b>Prepared By:</b>	<b>Date:</b>
-----------------	--------------	---------------------	--------------



### Features and Benefits

- Replacement for traditional Metal Halide or High Pressure Sodium HID Lamps up to 400W
- Multiple angle configurations ideal for low/high bay, shoebox, and post top applications
- Active Cooling: Internal sensor overheat and engaged will automatically reduce output to 70% rated wattage until the sensor cools and will light up again to 100%
- Integral Driver enables lamp to be wired directly to line voltage without need for an external driver or ballast
- Rated for use in enclosed and open fixtures in dry or damp locations
- 4kV surge protection built in
- 50,000 hour Lifespan
- Environmentally friendly, no mercury used
- UL Listed, DLC Listed
- 5 Year No Compromise Warranty
- Lamp includes on board low-voltage AUX port for lamp level sensor accessories
- Compatible with RAB specified 0-10V dimming system

## Technical Specifications

### Performance

**Product Type:**

HID Replacement

**Input Wattage:**

100W

**Lumens:**

15,000lm

**Efficacy:**

150lm/W

**L70 Lifespan:**

50,000-Hour LED lifespan based on IES LM-80 results and TM-21 calculations

**Wattage Equivalency:**

400W

**Dimming:**

Compatible with RAB specified 0-10V dimming system. Dimming capabilities were tested and verified on Legrand RH4FBL3PTC 0-10V dimming system.

### LED Characteristics

**Color Accuracy (CRI):**

80

**Color Temperature:**

5000K

### Construction

**Bulb Shape:**

Post Top/ High Bay / Shoebox

**Enclosure Material:**

Polycarbonate & Metal heat sink

**Housing Finish:**

White

### Installation

**Base Type:**

EX39

**Installation Method:**

UL Type B, Ballast Bypass

**Burning Position:**

Universal

### Electrical

**THD:**

<20%

**Power Factor:**

>0.9

**Input Voltage:**

100-277V

**Operating Frequency:**

60 Hz

**Operating Temperature:**

-30°C to 60°C

**Surge Protection:**

4kV

### Other

**Technology EQ:**

Metal Halide or High Pressure Sodium

## Technical Specifications (continued)

### Warranty:

RAB warrants that our LED products will be free from defects in materials and workmanship for a period of five (5) years from the date of delivery to the end user, including coverage of light output, color stability, driver performance and fixture finish. RAB's warranty is subject to all terms and conditions found at [rablighting.com/warranty](http://rablighting.com/warranty).

### Compliance

#### Listings:

UL Listed, UL Classified

#### Environment:

Damp / Enclosed

#### IP Rating:

IP64

#### RoHS:

Mercury and UV free. RoHS-compliant components.

#### FCC:

Complies with Part 15B of the FCC Rules

#### Certification Model Number:

H10030(HID-100-EX39-850-BYP-ADJ)

#### DLC Listed:

This product is on the Design Lights Consortium (DLC) Qualified Products List and is eligible for rebates from DLC Member Utilities. Designed to meet DLC 5.1 requirements.

DLC Product Code: PLWCZWE9K4Y6

\

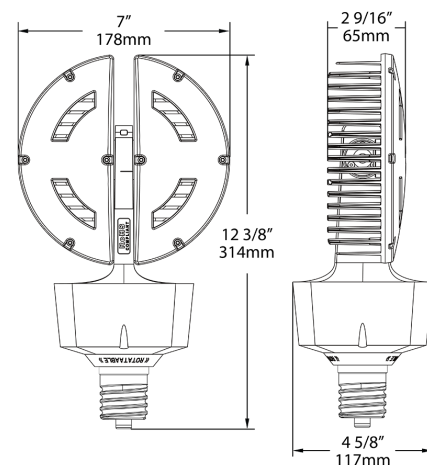
## Minimum Compartment Size

Length x Width x Height [in]	Lamp Quantity
10	1

## Case and Pallet Dimensions

	QTY	LENGTH (in)	WIDTH (in)	HEIGHT (in)
CASE	6	0	0	0
PALLET	72	0	0	0

## Dimension



## Light Distribution

