

Project:	Type:	Prepared By:	Date:
-----------------	--------------	---------------------	--------------



Features and Benefits

- Replacement for traditional Metal Halide or High Pressure Sodium HID Lamps
- Integral Driver enables lamp to be wired directly to line voltage without need for an external driver or ballast
- Rated for use in enclosed and open fixtures in dry or damp locations
- 4kV surge protection built in
- 50,000 hour Lifespan
- Environmentally friendly, no mercury used
- UL Listed, UL Classified, DLC Listed
- Lamp includes on board low-voltage AUX port for lamp level sensor accessories
- 5 Year Limited Warranty
- Compatible with RAB specified 0-10V dimming system

Technical Specifications		
<p>Performance</p> <p>Product Type: HID Replacement</p> <p>Input Wattage: 115W</p> <p>Lumens: 15,500lm</p> <p>Efficacy: 135lm/W</p> <p>L70 Lifespan: 50,000-Hour LED lifespan based on IES LM-80 results and TM-21 calculations</p> <p>Wattage Equivalency: 400W</p> <p>Dimming: Compatible with RAB specified 0-10V dimming system. Dimming capabilities were tested and verified on Legrand RH4FBL3PTC 0-10V dimming system.</p>	<p>LED Characteristics</p> <p>Color Accuracy (CRI): 80</p> <p>Color Temperature: 5000K</p> <p>Construction</p> <p>Bulb Shape: High Bay</p> <p>Enclosure Material: Polycarbonate & Metal heat sink</p> <p>Housing Finish: White</p> <p>Installation</p> <p>Base Type: EX39</p> <p>Installation Method: UL Type B, Ballast Bypass</p> <p>Burning Position: Base Up</p>	<p>Electrical</p> <p>THD: <20%</p> <p>Power Factor: >0.9</p> <p>Input Voltage: 100-277V</p> <p>Operating Frequency: 60 Hz</p> <p>Operating Temperature: -30°C to 60°C</p> <p>Surge Protection: 4kV</p> <p>Other</p> <p>Technology EQ: Metal Halide or High Pressure Sodium</p>

Technical Specifications (continued)

Warranty:

The RAB 5-year, limited warranty covers light output, driver performance and paint finish. RAB's warranty is subject to all terms and conditions found at rablighting.com/warranty.

Compliance

Listings:

UL Listed, UL Classified

Environment:

Damp / Enclosed

IP Rating:

IP64

RoHS:

Mercury and UV free. RoHS-compliant components.

FCC:

Complies with Part 15B of the FCC Rules

Certification Model Number:

H10039(HID-115-V-EX39-850-BYP-HB-ECO)

DLC Listed:

This product is on the Design Lights Consortium (DLC) Qualified Products List and is eligible for rebates from DLC Member Utilities. Designed to meet DLC 5.1 requirements.

DLC Product Code: PLP1VOC7YPTY

\

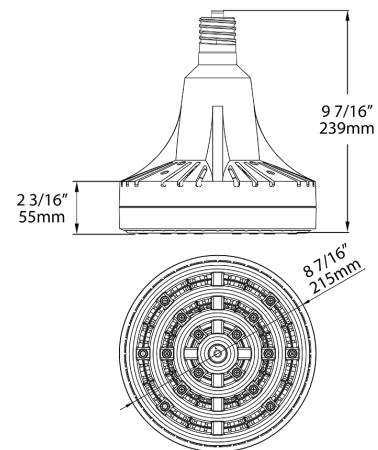
Minimum Compartment Size

Length x Width x Height [in]	Lamp Quantity
17	1

Case and Pallet Dimensions

	QTY	LENGTH (in)	WIDTH (in)	HEIGHT (in)
CASE	4	0	0	0
PALLET	48	0	0	0

Dimension



Light Distribution

