



Bullet shape die cast aluminum flood with spotlighting for over 40 feet away.

Color: Verde green

Weight: 4.6 lbs

Project:

Type:

Prepared By:

Date:

### Driver Info

Type	Constant Current
120V	0.23A
208V	0.13A
240V	0.11A
277V	0.07A
Input Watts	26.9W

### LED Info

Watts	26W
Color Temp	5000K (Cool)
Color Accuracy	71 CRI
L70 Lifespan	100,000 Hours
Lumens	3,070 lm
Efficacy	114.1 lm/W

## Technical Specifications

### Compliance

#### UL Listed:

Suitable for wet locations. Suitable for ground mounting.

#### IESNA LM-79 & LM-80 Testing:

RAB LED luminaires and LED components have been tested by an independent laboratory in accordance with IESNA LM-79 and LM-80.

#### DLC Listed:

This product is on the Design Lights Consortium (DLC) Qualified Products List and is eligible for rebates from DLC Member Utilities. Designed to meet DLC 5.1 requirements.  
DLC Product Code: PV2CAGZ6X

### Optical

#### NEMA Type:

NEMA Beam Spread 4H x 4V

### LED Characteristics

#### LEDs:

Multi-chip, high-output, long-life LEDs

#### Color Stability:

RAB LEDs exceed industry standards for chromatic stability

#### Color Uniformity:

RAB's range of Correlated Color Temperature follows the guidelines of the American National Standard for Specifications for the Chromaticity of Solid State Lighting (SSL) Products, ANSI C78.377-2017.

### Construction

#### Cold Weather Starting:

The minimum starting temperature is -40°C (-40°F)

#### Thermal Management:

Superior heat sinking with external Air-Flow fins

#### Housing:

Precision die-cast aluminum housing, lens frame and mounting arm

#### Reflector:

Semi-specular, vacuum-metalized polycarbonate

#### Gaskets:

High-temperature silicone gaskets

#### Finish:

Our environmentally friendly polyester powder coatings are formulated for high-durability and long-lasting color

#### Green Technology:

Mercury and UV free. RoHS-compliant components.

### Installation

#### Mounting:

Heavy-duty 1/2" thread mounting arm with "O" ring seal & stainless steel screws

### Other

#### Warranty:

RAB warrants that our LED products will be free from defects in materials and workmanship for a period of five (5) years from the date of delivery to the end user, including coverage of light output, color stability, driver performance and fixture finish. RAB's warranty is subject to all terms and conditions found at [rablighting.com/warranty](http://rablighting.com/warranty).

### Electrical

#### Driver:

Constant Current, 120-277V with 4kV surge protection, 120V: 0.23, 208V: 0.13A, 240V: 0.11A, 277V: 0.11A

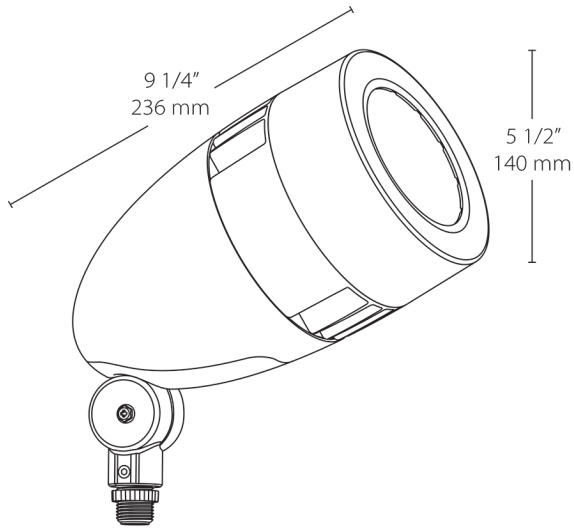
#### THD:

8.17% at 120V, 7.17% at 277V

#### Power Factor:

92.4% at 120V, 99.6% at 277V

## Dimensions



## Features

- Spot lighting for over 40 feet away
- Perfect for flag lighting
- NEMA type - 4H x 4V
- Available in four colors
- 100,000-hour life based on LM-80 results and TM-21 calculations
- 5-Year, No-Compromise Warranty

## Ordering Matrix

Family	Wattage	Color Temp	Finish	Driver Options
HSLED	26		VG	
18 = 18W	N = 4000K Neutral	W = White	Blank = Standard	
13 = 13W	Y = 3000K Warm	Blank = Bronze	/D10 = 0-10V Dimming	
26 = 26W	Blank = 5000K Cool	B = Black	/480 = 480V (Only available for 26W)	
		VG = Verde Green		
		A = Bronze		