



Color: Black

Weight: 8.9 lbs

Project:	Type:
Prepared By:	Date:

Technical Specifications

Compliance

UL Listed:

Suitable for wet locations

IESNA LM-79 & LM-80 Testing:

RAB LED luminaires and LED components have been tested by an independent laboratory in accordance with IESNA LM-79 and LM-80.

Trade Agreements Act Compliant:

This product is a product of Cambodia and a "designated country" end product that complies with the Trade Agreements Act

Electrical

Driver:

Constant Current, Class1, 120-277V, 50/60 Hz:
 120W: 120V: 0.95A, 208V: 0.55A, 240V: 0.48A, 277V 0.41A
 100W: 120V: 0.81A , 208V: 0.48A, 240V: 0.41A, 277V 0.36A
 80W: 120V: 0.64A, 208V: 0.39A, 240V: 0.34A, 277V 0.29A
 60W: 120V: 0.46A, 208V: 0.29A, 240V: 0.25A, 277V 0.22A

Dimming Driver:

Driver includes dimming control wiring for 0-10V dimming systems. Requires separate 0-10V DC dimming circuit. Dims down to 10%.

Aux Power Supply:

Yes

Dim to Off:

Yes

Max Wattage with HTGL:

63W HID to 250W MH Lamp for HGTL skus with EX39 base.

Construction

IES Classification:

Type III/IV/V Distribution Adjustable:
 The Type III distribution is ideal for roadway, general parking and other area lighting applications where a larger pool of lighting is required. It is intended to be located near the side of the area, allowing the light to project outward and fill the area.
 The Type IV distribution (also known as a Forward Throw) is especially suited for illuminating the perimeter of parking areas and for intersections. It produces a semicircular distribution with essentially the same candlepower at lateral angles from 90° to 270°.
 The Type V distribution produces light in a wide and uniform 360° pattern that is perfect for large outdoor areas such as parking lots, corporate parks and retail settings

Lens:

Polycarbonate lens

Housing:

Die-cast aluminum

Effective Projected Area:

EPA = 0.9

Finish:

Formulated for high durability and long-lasting color

Gaskets:

High-temperature silicone

Installation

Mounting:

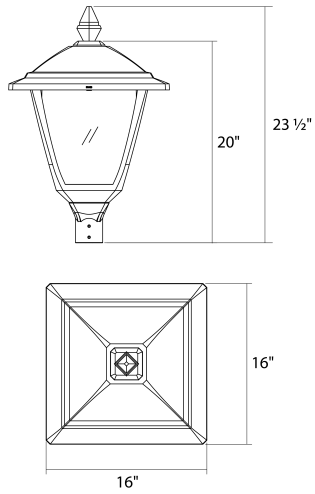
Universal pole adapter

Other

5-Year Limited Warranty:

The RAB 5-year, limited warranty covers light output, driver performance and paint finish. RAB's warranty is subject to all terms and conditions found at rablighting.com/warranty.

Dimensions



Features

- 100,000-hour LED Life
- 0-10V dimming standard
- 5-Year, limited warranty

Ordering Matrix

Family	Shape	Mounting	Finish
HTGL	S		B

R = Round **Blank** = Pole Mount **Blank** = Bronze
S = Square **P** = Pendant Mount **B** = Black
WM = Wall Mount