



Project:	Type:
Prepared By:	Date:

## Technical Specifications

### Construction

**Material:**

Die cast aluminum

**Visor and Guard:**

Designed to fit the H101 and HB101

**Stealth Accessory:**

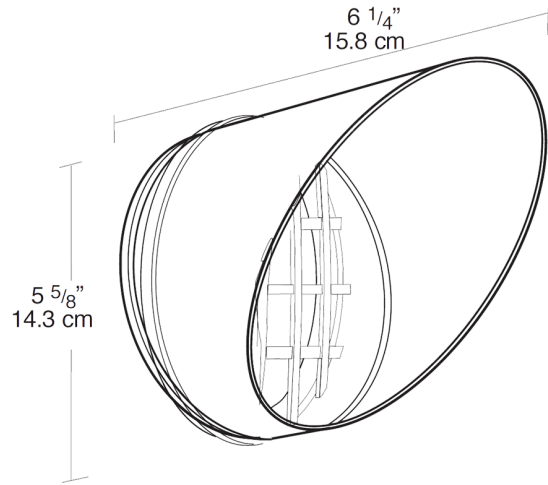
Guards also fit RAB's Stealth Bullet and Bell Flood Kits. [See Stealth Page.](#)

### Compliance

**Trade Agreements Act Compliant:**

This product is a product of Cambodia and a "designated country" end product that complies with the Trade Agreements Act

## Dimensions



## Features

- Die cast aluminum
- Integral metal grill
- Glass lens for maximum glare reduction and lamp protection