



# XFIT | DUSK-TO-DAWN LED AREA LIGHTS

## KT-ALED40-D2D-WM-850-VDIM DUSK-TO-DAWN LED AREA LIGHT FIXTURES

### DESCRIPTION

40W Compact Dusk-to-Dawn LED Area Light | 120–277V Input | Gray Housing

### APPLICATION

Arm-mount or structure-mount outdoor illumination needs (including barns, garages, parking areas, and other general purpose or security lighting requirements)



### PRODUCT FEATURES

- Compact design matches appearance and light distribution of legacy HID, optimized for one for one replacements
- Heavy-duty, die-cast aluminum housing with ample heat sinking for enhanced thermal performance
- 3-pin twist-lock photocell included along with integrated NEMA/ANSI C136.10 3-pin twist-lock receptacle
- Impact resistant and highly diffused poly carb lens with anti-yellowing agent, offers reduced glare for low mounting height applications
- Mounts directly to a structure OR a pole arm of 1 5/8”–2 3/8” diameter with universal clamp
- Powered by Keystone 0–10V dimming LED driver
- Ambient operating temperature: –40°C/–40°F to 50°C/122°F
- UL Certified for wet locations, IP65
- 0–10V dimming, 10% min
- Power factor: >0.95
- THD: <20%
- LED chip lifetime: L70 >100,000 hrs @ 25°C/77°F ambient fixture temp
- Meets FCC Part 15, Part B, Class A standards for conducted and radiated emissions

### ELECTRICAL SPECIFICATIONS

Wattage	Lumens	Efficacy	Dimming	Color Temp	CRI	Dist Type	Input Voltage	Rated Life	Legacy Equivalent	Housing Color	Additional Feature
40W	6,150 lm	154 lm/W	0–10V	5000K	>80	V	120–277V	50,000 hrs	175W	Gray	3-pin twist-lock photocell included Structure-mount or arm-mount (2' curved-arm mounting pipe [sold separately])



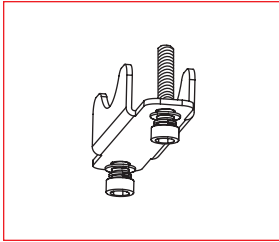
# KT-ALED40-D2D-WM-850-VDIM

## DUSK-TO-DAWN LED AREA LIGHT FIXTURES

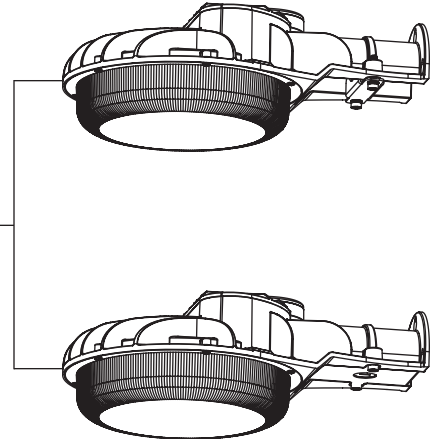
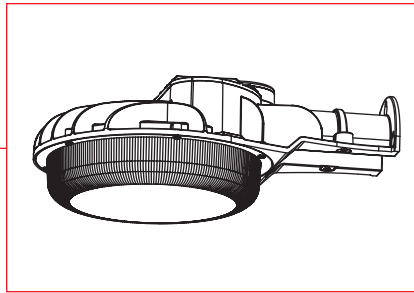
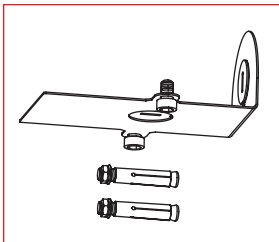
### MOUNTING OPTIONS

Two different mounting accessories are included with this fixture. Use the proper accessory for the application you choose.

#### Pole Arm Mount



#### Structure Mount



### 24" CURVED POLE ARM KIT (SOLD SEPARATELY)

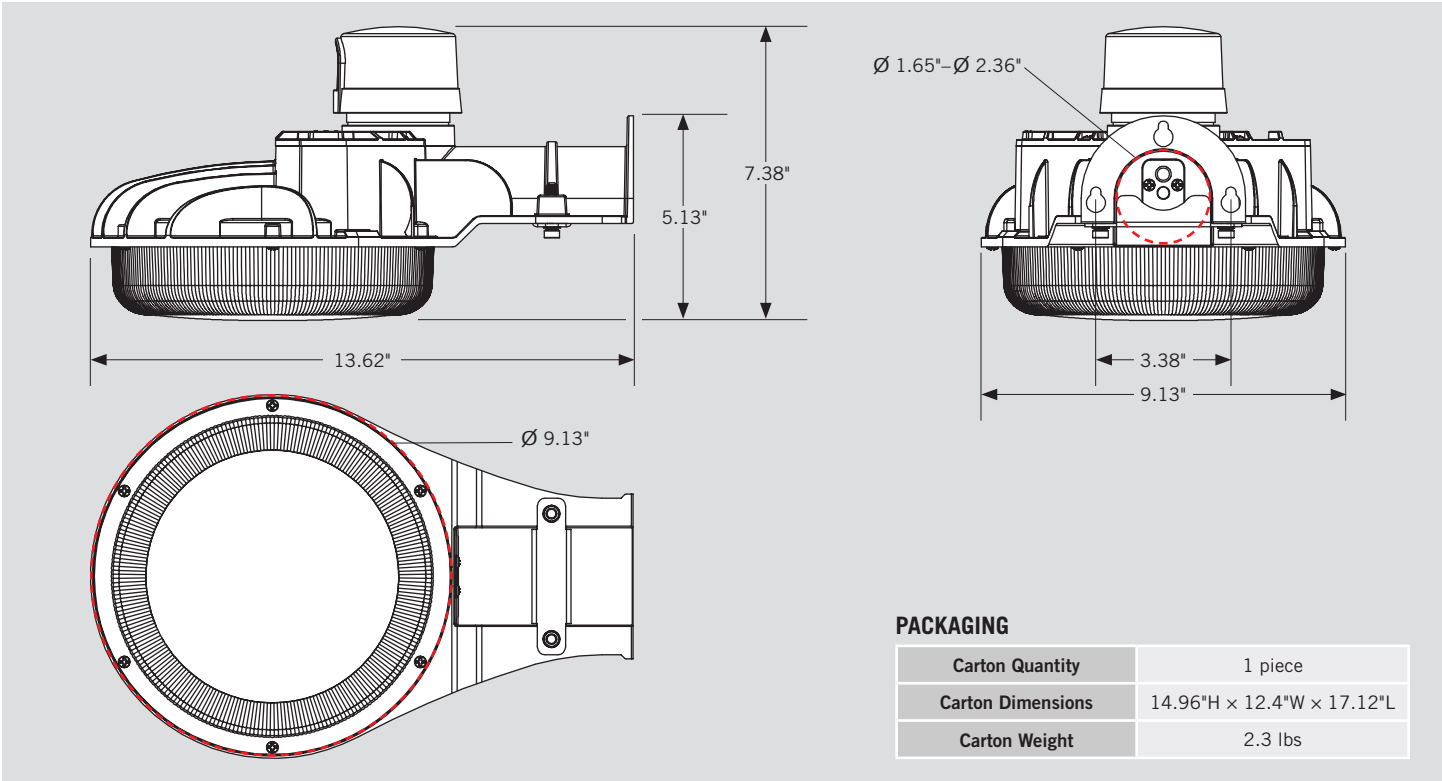
Catalog Number	Description	UPC	Easy Code
KT-ALED-CA-D2D-KIT	24" Curved Arm Mounting Pole, for Dusk-to-Dawn Area Light; Gray	843654131665	BFC-98



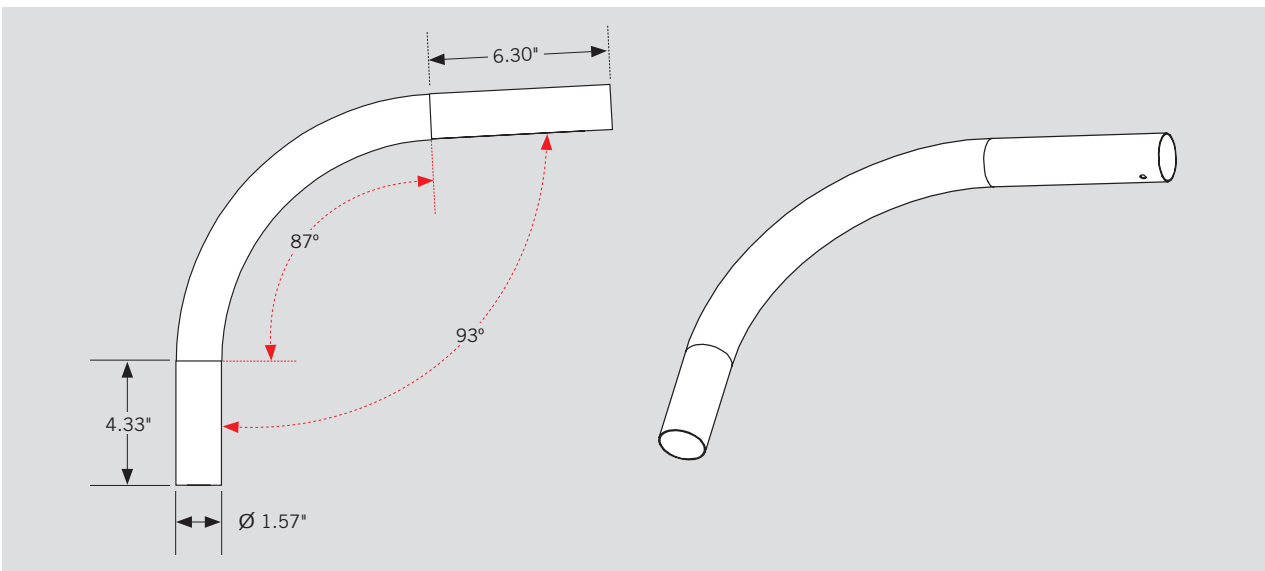
**KT-ALED40-D2D-WM-850-VDIM**  
DUSK-TO-DAWN LED AREA LIGHT FIXTURES

**PHYSICAL SPECIFICATIONS**

**ARM-MOUNT FIXTURE**



**24" CURVED POLE ARM (SOLD SEPARATELY)**



(Physical Specifications continued on next page)

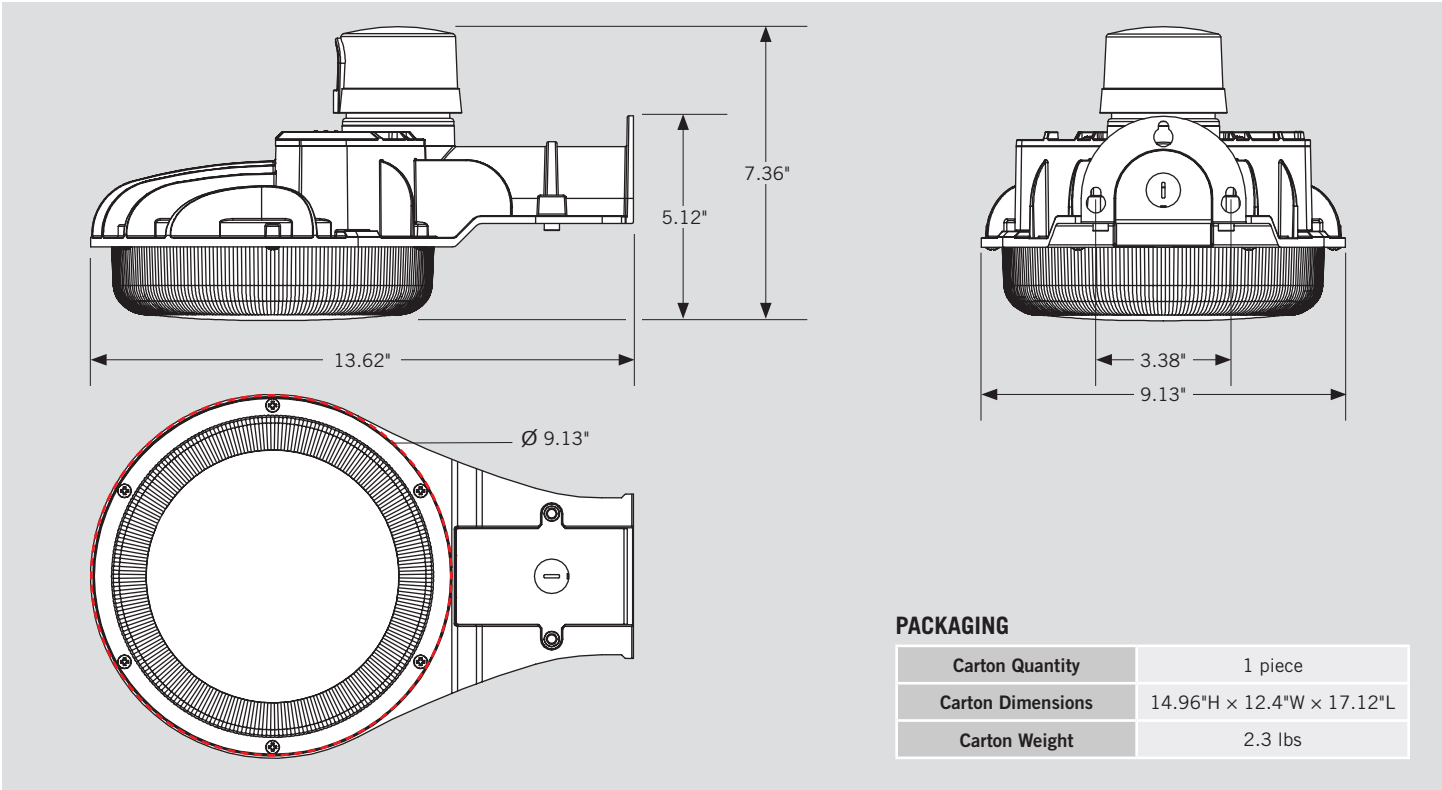


# XFIT | DUSK-TO-DAWN LED AREA LIGHTS

## KT-ALED40-D2D-WM-850-VDIM DUSK-TO-DAWN LED AREA LIGHT FIXTURES

**PHYSICAL SPECIFICATIONS** (continued)

**STRUCTURE-MOUNT FIXTURE**

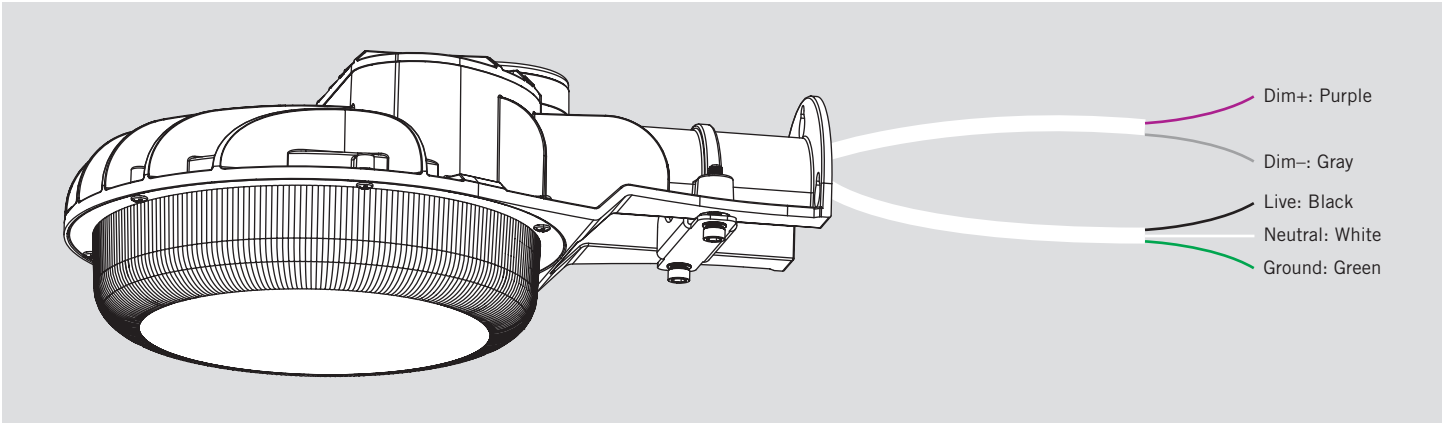


**PACKAGING**

Carton Quantity	1 piece
Carton Dimensions	14.96"H x 12.4"W x 17.12"L
Carton Weight	2.3 lbs

**KT-ALED40-D2D-WM-850-VDIM**  
DUSK-TO-DAWN LED AREA LIGHT FIXTURES

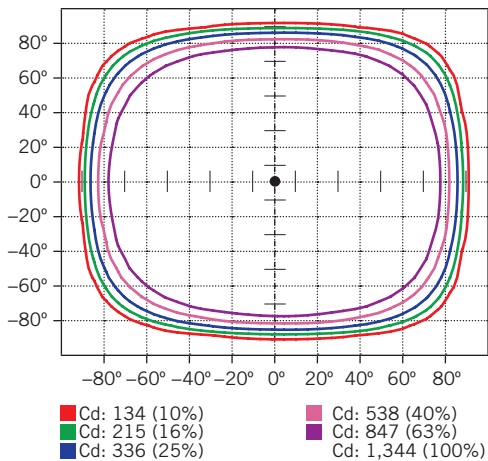
**WIRING DIAGRAM**



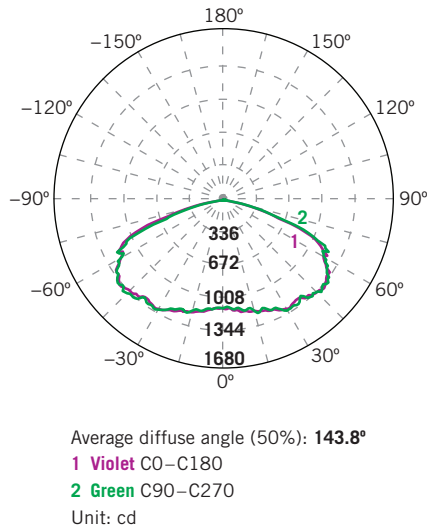
- This fixture comes pre-wired with a 3-pin Twist-Lock Receptacle. Make input connections as needed and ensure connections are protected from exposure to the elements.
- Input voltage rating: 120-277V
- Ensure that input voltage on site matches the fixture you intend to install.

**PHOTOMETRIC SPECIFICATIONS**

**ISOCANDELA PLOT**



**LUMINOUS INTENSITY DISTRIBUTION**



**FLUX DISTRIBUTION**

Zone	Lumens	% Luminaire
<b>Forward Light</b>	2,768 lm	49.1%
0°-30°	489 lm	8.7%
30°-60°	1,453 lm	25.8%
60°-80°	786 lm	13.9%
80°-90°	40 lm	0.7%
<b>Back Light</b>	2,783 lm	49.4%
0°-30°	491 lm	8.7%
30°-60°	1,465 lm	26.0%
60°-80°	786 lm	13.9%
80°-90°	42 lm	0.7%
<b>Up Light</b>	84 lm	1.5%
90°-100°	28 lm	0.5%
100°-180°	56 lm	1.0%

BUG* Rating	
<b>Asymmetrical Luminaire Types</b>	
Type I, II, III, IV	B2 U3 G2
<b>Quadrilateral Symmetrical Luminaire Types</b>	
Type V, Area Light	B3 U3 G1

\* *Backlight, Uplight, Glare*

# KT-ALED40-D2D-WM-850-VDIM

## DUSK-TO-DAWN LED AREA LIGHT FIXTURES

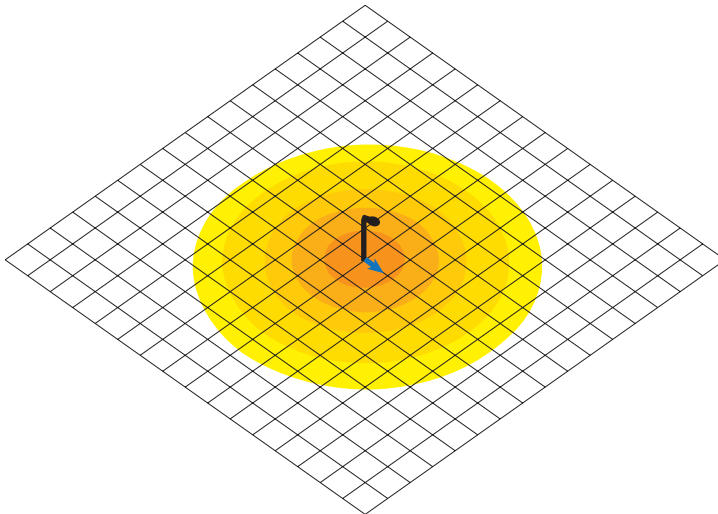
**LIGHT DISTRIBUTION PATTERN (TYPE 5 [V])**

**DUSK-TO-DAWN**

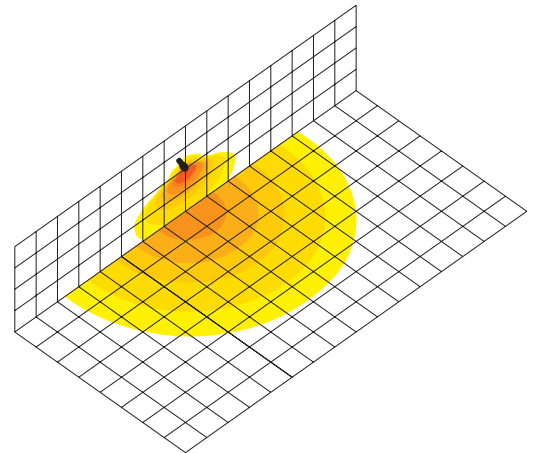
- Photometric layout for general reference only
- Grid dimension: 10 × 10 sq ft

- 0.1 fc
- 0.2 fc
- 0.5 fc
- 1.0 fc
- 2.0 fc
- 5.0 fc
- 10.0 fc

Arm-mount view from above; Area light mounted at 20'



Structure-mount view from above; Area light mounted at 20'



**ORDERING INFORMATION**

ORDER CODE	PACK QTY.	UPC	Easy Code
KT-ALED40-D2D-WM-850-VDIM	1	843654131610	PUB-99

**CATALOG NUMBER BREAKDOWN**

# KT-ALED40-D2D-WM-850-VDIM

<b>1</b>	<b>2</b>	<b>3</b>	<b>4</b>	<b>5</b>	<b>6</b>	<b>7</b>	<b>8</b>	<b>9</b>
<b>1 Keystone Technologies</b>	<b>2 Fixture Type</b>	<b>3 LED Technology</b>	<b>4 Wattage</b>	<b>5 Size/Shape</b>	<b>6 Mounting</b>	<b>7 CRI</b>	<b>8 Color Temp</b>	<b>9 Dimming</b>
	A Area Light			D2D Dusk-to-Dawn Housing	WM Wall Mount	8 >80	50 5000K	VDIM 0-10V