



KT-FLEDXXPS-R4A-UNV-8CSB-VDIM-X

GENERAL PURPOSE FLOODLIGHT

DESCRIPTION

LED Rectangular Floodlight | Power Select | Color Select | 120-277V Input | Built-in Photocell | Two Mounting Options Included | Bronze or White Finishes Available

APPLICATION

Ground, pole/tenon, or building mount applications (building façades, signs, recreational venues, general area lighting)



PRODUCT FEATURES

- Keystone Power Select technology (see *Performance Specifications* for details)
- Keystone Color Select technology (3000/4000/5000K)
- LED floodlight with innovative design based on established floodlight principles
- Heavy-duty, die-cast aluminum housing
- Two interchangeable mount options included in each package
- Built-in dusk-to-dawn photocell under 3/4" knockout with anti-yellowing agent
- NEMA 7H x 7V wide floodlight distribution
- Keystone 0-10V dimming driver with 2.5kV surge protection (6kV surge protection on 100W fixture)
- Ambient operating temperature: -40°C/-40°F to 50°C/122°F
- UL Certified for wet locations; IP65 rated
- Power factor: > 0.95
- THD: < 20%
- LED chip lifetime: L70 > 100,000 hrs @ 25°C/77°F ambient fixture temperature
- Meets FCC Part 15, Part B, Class A standards for conducted and radiated emissions

PERFORMANCE SPECIFICATIONS

Catalog Number	Selectable Wattage	Selectable CCT	Lumens	Efficacy	Input Voltage	CRI	Dimming	Mounting	Lifetime	Housing Color*	Legacy Equivalent
KT-FLED15PS-R4A-UNV-8CSB-VDIM KT-FLED15PS-R4A-UNV-8CSB-VDIM-W	15W	3000K	1,950	130 lm/W	120-277V	> 80	0-10V	Universal: knuckle and yoke mounts included	50,000 hrs	Bronze or white finishes available	70W MH
		4000K	2,250	150 lm/W							
		5000K	2,100	140 lm/W							
	12W	3000K	1,584	132 lm/W							
		4000K	1,836	153 lm/W							
		5000K	1,716	143 lm/W							
	9W	3000K	1,242	138 lm/W							
		4000K	1,404	156 lm/W							
		5000K	1,332	148 lm/W							

*See Ordering Information and Catalog Number Breakdown for more details.

(Performance Specifications continue on next page)



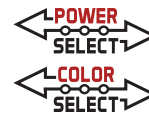
KT-FLEDXXPS-R4A-UNV-8CSB-VDIM-X

GENERAL PURPOSE FLOODLIGHT

PERFORMANCE SPECIFICATIONS *(continued)*

Catalog Number	Selectable Wattage	Selectable CCT	Lumens	Efficacy	Input Voltage	CRI	Dimming	Mounting	Lifetime	Housing Color *	Legacy Equivalent
KT-FLED35PS-R4A-UNV-8CSB-VDIM KT-FLED35PS-R4A-UNV-8CSB-VDIM-W	35W	3000K	4,550	130 lm/W	120-277V	> 80	0-10V	Universal: knuckle and yoke mounts included	50,000 hrs	Bronze or white finishes available	175W MH
		4000K	5,250	150 lm/W							
		5000K	4,900	140 lm/W							
	25W	3000K	3,375	135 lm/W							
		4000K	3,875	155 lm/W							
		5000K	3,625	145 lm/W							
	15W	3000K	2,100	140 lm/W							
		4000K	2,400	160 lm/W							
		5000K	2,250	150 lm/W							
KT-FLED60PS-R4A-UNV-8CSB-VDIM KT-FLED60PS-R4A-UNV-8CSB-VDIM-W	60W	3000K	7,800	130 lm/W	120-277V	> 80	0-10V	Universal: knuckle and yoke mounts included	50,000 hrs	Bronze or white finishes available	250W MH
		4000K	9,000	150 lm/W							
		5000K	8,400	140 lm/W							
	50W	3000K	6,650	133 lm/W							
		4000K	7,750	155 lm/W							
		5000K	7,250	145 lm/W							
	40W	3000K	5,600	140 lm/W							
		4000K	6,400	160 lm/W							
		5000K	6,000	150 lm/W							
KT-FLED75PS-R4A-UNV-8CSB-VDIM KT-FLED75PS-R4A-UNV-8CSB-VDIM-W	75W	3000K	9,750	130 lm/W	120-277V	> 80	0-10V	Universal: slipfitter and trunnion mounts included	50,000 hrs	Bronze or white finishes available	320W MH
		4000K	11,250	150 lm/W							
		5000K	10,500	140 lm/W							
	60W	3000K	8,280	138 lm/W							
		4000K	9,480	158 lm/W							
		5000K	8,880	148 lm/W							
	45W	3000K	6,390	142 lm/W							
		4000K	7,290	162 lm/W							
		5000K	6,840	152 lm/W							
KT-FLED100PS-R4A-UNV-8CSB-VDIM KT-FLED100PS-R4A-UNV-8CSB-VDIM-W	100W	3000K	13,000	130 lm/W	120-277V	> 80	0-10V	Universal: slipfitter and trunnion mounts included	50,000 hrs	Bronze or white finishes available	400W MH
		4000K	15,000	150 lm/W							
		5000K	14,000	140 lm/W							
	90W	3000K	12,150	135 lm/W							
		4000K	13,950	155 lm/W							
		5000K	13,050	145 lm/W							
	80W	3000K	11,200	140 lm/W							
		4000K	12,800	160 lm/W							
		5000K	12,000	150 lm/W							

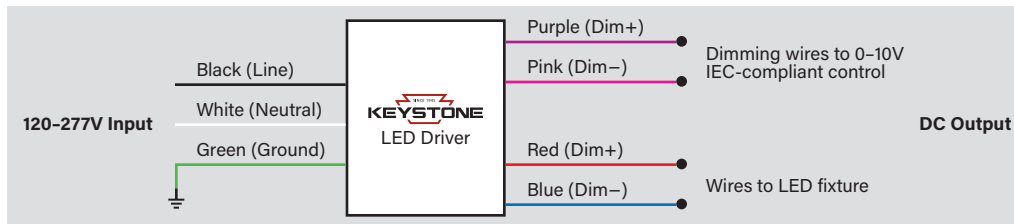
* See Ordering Information and Catalog Number Breakdown for more details.



KT-FLEDXXPS-R4A-UNV-8CSB-VDIM-X

GENERAL PURPOSE FLOODLIGHT

GENERAL WIRING DIAGRAM



POWER SELECT (WATTAGE) AND COLOR SELECT (CCT), AND PHOTOCELL ADJUSTMENT

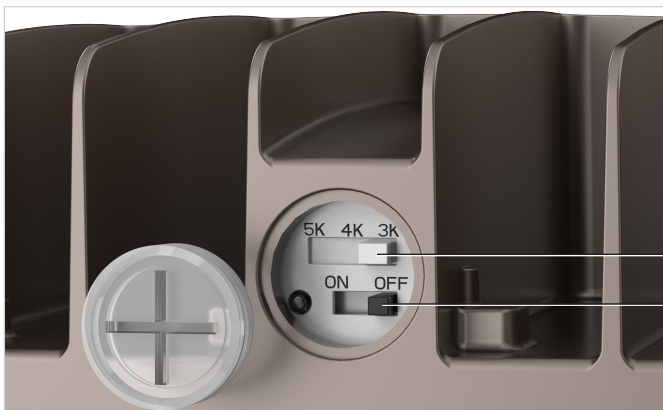
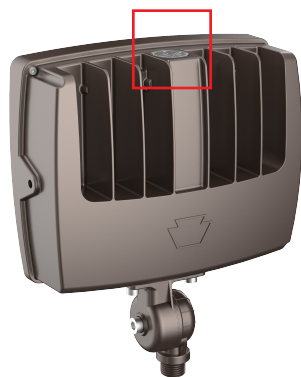
This fixture is equipped with field-adjustable selectable wattage, selectable CCT, and photocell adjustment technology.

1. Ensure power is off to the fixture.
2. Unscrew the gasketed caps from the top and bottom sides of the fixture as shown in the images below.
3. Adjust dip switches to desired settings. *Note: all fixtures are factory preset to highest wattage, 5000K, and photocell enabled.*
4. Screw on gasketed caps.
5. Restore power to fixture.



Wattage adjustment

Power Select switch for KT-FLED100PS-R4A-UNV-8CSB-VDIM shown. For reference only. Different SKUs will show different wattages.



CCT adjustment

Photocell adjustment

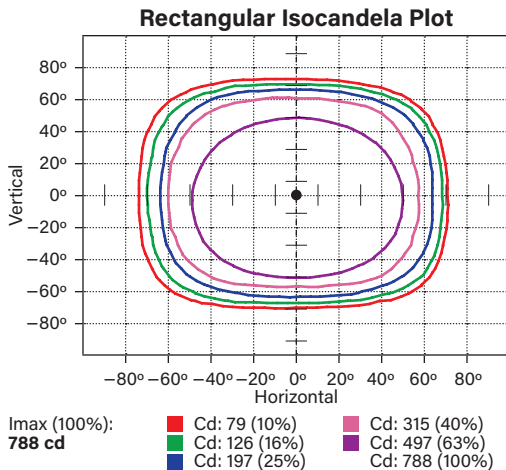
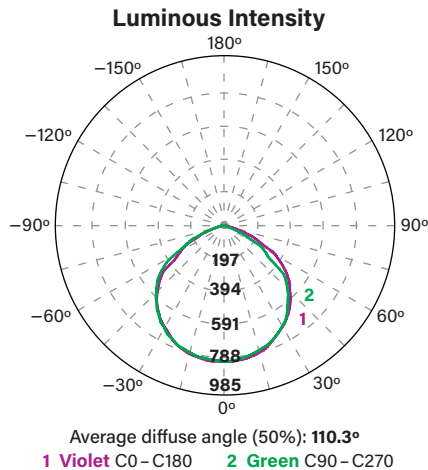


KT-FLEDXXPS-R4A-UNV-8CSB-VDIM-X

GENERAL PURPOSE FLOODLIGHT

PHOTOMETRIC SPECIFICATIONS

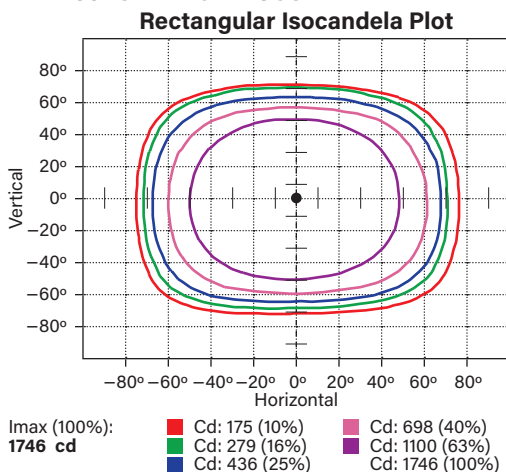
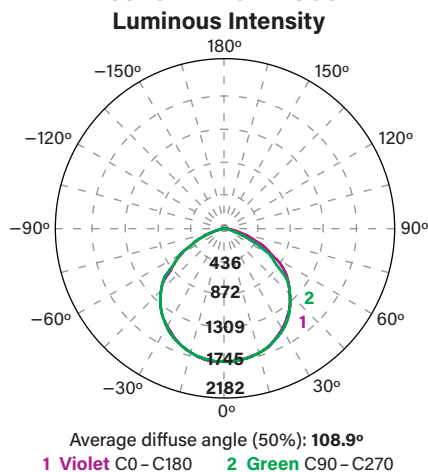
KT-FLED15PS-R4A-UNV-8CSB-VDIM | KT-FLED15PS-R4A-UNV-8CSB-VDIM-W



Flux Distribution

Zone	Lumens	% Luminaire
Forward Light	101.3 lm	49.0%
0°-30°	308 lm	14.9%
30°-60°	578 lm	28.0%
60°-80°	124 lm	6.0%
80°-90°	2 lm	0.1%
Back Light	1,055 lm	51.0%
0°-30°	308 lm	14.9%
30°-60°	594 lm	28.7%
60°-80°	149 lm	7.2%
80°-90°	3 lm	0.2%
Up Light	0 lm	0.0%
90°-100°	0 lm	0.0%
100°-180°	0 lm	0.08%
Trapped Light	N/A	N/A

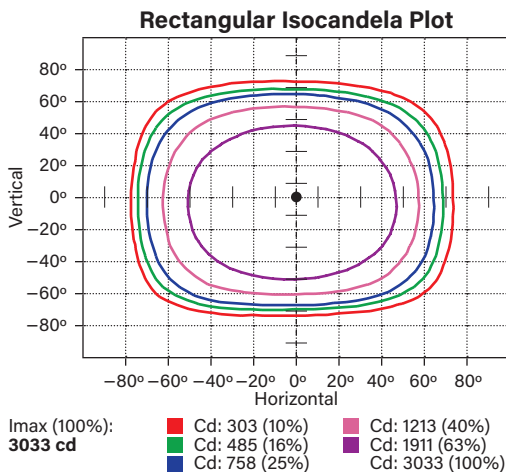
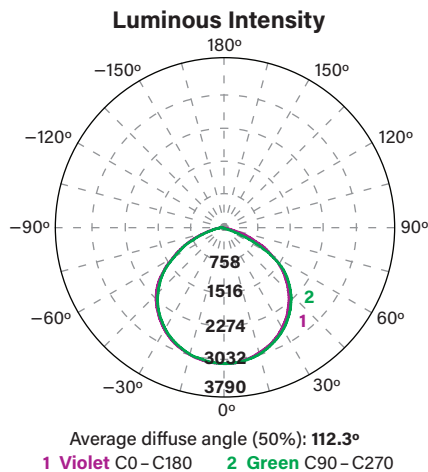
KT-FLED35PS-R4A-UNV-8CSB-VDIM | KT-FLED35PS-R4A-UNV-8CSB-VDIM-W



Flux Distribution

Zone	Lumens	% Luminaire
Forward Light	2,315 lm	50.3%
0°-30°	688 lm	15.0%
30°-60°	1,314 lm	28.6%
60°-80°	309 lm	6.7%
80°-90°	4 lm	0.1%
Back Light	2,284 lm	49.7%
0°-30°	681 lm	14.8%
30°-60°	1,282 lm	27.9%
60°-80°	315 lm	6.8%
80°-90°	7 lm	0.1%
Up Light	0 lm	0.0%
90°-100°	0 lm	0.0%
100°-180°	0 lm	0.0%
Trapped Light	N/A	N/A

KT-FLED60PS-R4A-UNV-8CSB-VDIM | KT-FLED60PS-R4A-UNV-8CSB-VDIM-W



Flux Distribution

Zone	Lumens	% Luminaire
Forward Light	4,202 lm	51.7%
0°-30°	1,202 lm	14.8%
30°-60°	2,368 lm	29.1%
60°-80°	626 lm	7.7%
80°-90°	7 lm	0.1%
Back Light	3,931 lm	48.3%
0°-30°	1,170 lm	14.4%
30°-60°	2,189 lm	26.9%
60°-80°	561 lm	6.9%
80°-90°	10 lm	0.1%
Up Light	0 lm	0.0%
90°-100°	0 lm	0.0%
100°-180°	0 lm	0.0%
Trapped Light	N/A	N/A

(Photometric Specifications continue on next page)



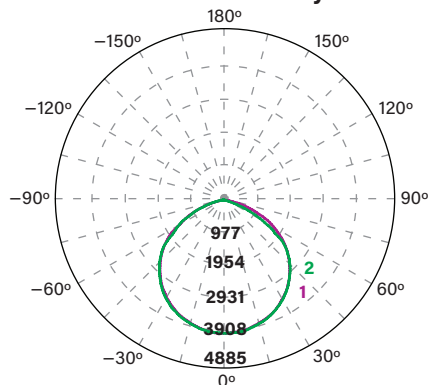
KT-FLEDXXPS-R4A-UNV-8CSB-VDIM-X

GENERAL PURPOSE FLOODLIGHT

PHOTOMETRIC SPECIFICATIONS *(continued)*

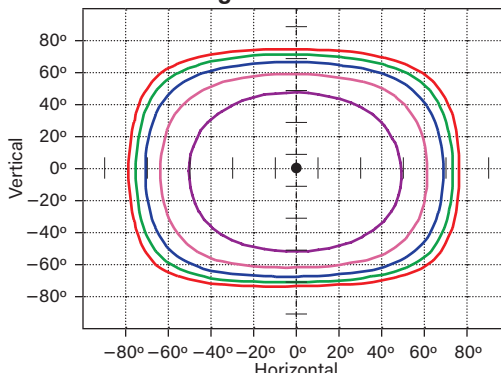
KT-FLED75PS-R4A-UNV-8CSB-VDIM | KT-FLED75PS-R4A-UNV-8CSB-VDIM-W

Luminous Intensity



Average diffuse angle (50%): 112.1°
 1 Violet C0-C180 2 Green C90-C270

Rectangular Isocandela Plot



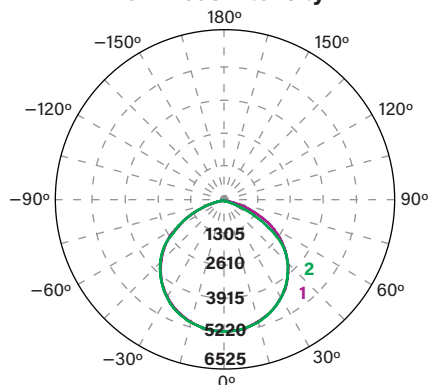
I_{max} (100%): 3908 cd
 Cd: 391 (10%) Cd: 625 (16%) Cd: 977 (25%) Cd: 1563 (40%)
 Cd: 2462 (63%) Cd: 3908 (100%)

Flux Distribution

Zone	Lumens	% Luminaire
Forward Light	5,298 lm	51.7%
0°-30°	1,538 lm	14.3%
30°-60°	2,985 lm	28.5%
60°-80°	763 lm	8.7%
80°-90°	11 lm	0.2%
Back Light	5,297 lm	47.5%
0°-30°	1,523 lm	14.0%
30°-60°	2,910 lm	26.6%
60°-80°	841 lm	6.7%
80°-90°	24 lm	0.1%
Up Light	0 lm	0.0%
90°-100°	0 lm	0.0%
100°-180°	0 lm	0.0%
Trapped Light	N/A	N/A

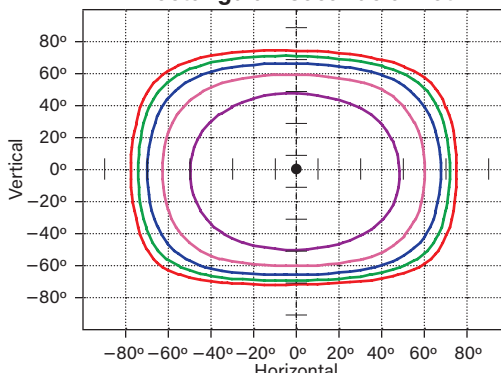
KT-FLED100PS-R4A-UNV-8CSB-VDIM | KT-FLED100PS-R4A-UNV-8CSB-VDIM-W

Luminous Intensity



Average diffuse angle (50%): 112.3°
 1 Violet C0-C180 2 Green C90-C270

Rectangular Isocandela Plot



I_{max} (100%): 5220 cd
 Cd: 522 (10%) Cd: 835 (16%) Cd: 1305 (25%) Cd: 2088 (40%)
 Cd: 3289 (63%) Cd: 5220 (100%)

Flux Distribution

Zone	Lumens	% Luminaire
Forward Light	7,043 lm	49.8%
0°-30°	2,057 lm	14.5%
30°-60°	3,969 lm	28.1%
60°-80°	1,001 lm	7.1%
80°-90°	17 lm	0.1%
Back Light	7,097 lm	50.2%
0°-30°	2,038 lm	14.4%
30°-60°	3,896 lm	27.6%
60°-80°	1,128 lm	8.0%
80°-90°	34 lm	0.2%
Up Light	0 lm	0.0%
90°-100°	0 lm	0.0%
100°-180°	0 lm	0.0%
Trapped Light	N/A	N/A

KT-FLEDXXPS-R4A-UNV-8CSB-VDIM-X

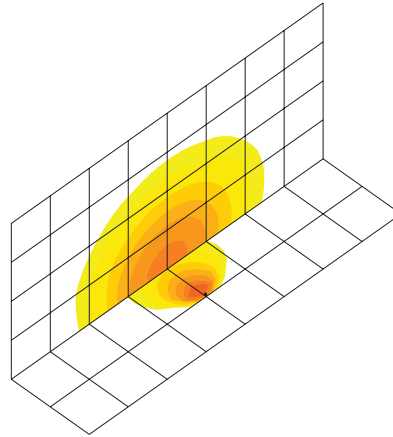
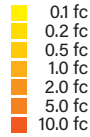
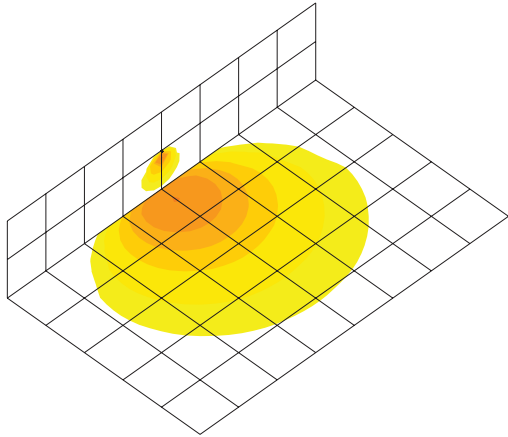
GENERAL PURPOSE FLOODLIGHT

LIGHT DISTRIBUTION PATTERNS: Isometric View from Above

KT-FLED15PS-R4A-UNV-8CSB-VDIM | KT-FLED15PS-R4A-UNV-8CSB-VDIM-W

Building exterior mounted at 10' | Aimed 30° below horizontal

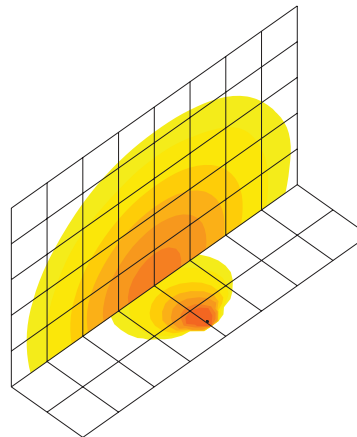
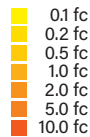
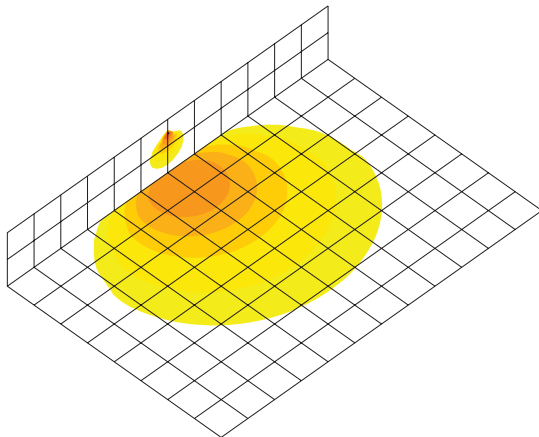
Ground mounted 6" above ground, 10' from building | Aimed 10° above horizontal



KT-FLED35PS-R4A-UNV-8CSB-VDIM | KT-FLED35PS-R4A-UNV-8CSB-VDIM-W

Building exterior mounted at 15' | Aimed 30° below horizontal

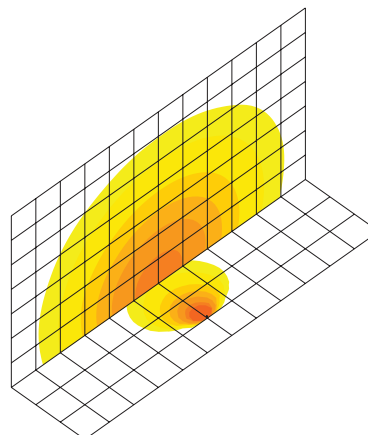
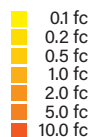
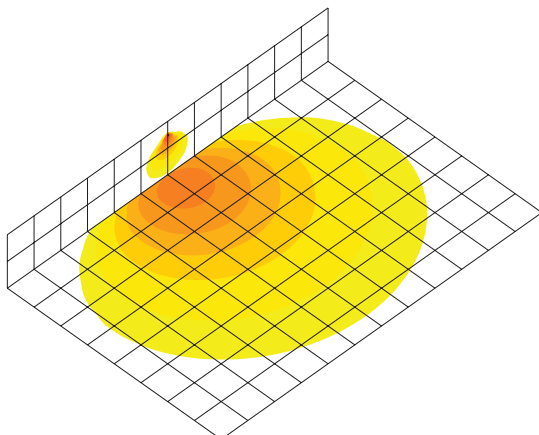
Ground mounted 6" above ground, 15' from building | Aimed 10° above horizontal



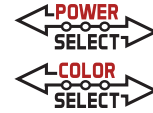
KT-FLED60PS-R4A-UNV-8CSB-VDIM | KT-FLED60PS-R4A-UNV-8CSB-VDIM-W

Building exterior mounted at 15' | Aimed 30° below horizontal

Ground mounted 6" above ground, 20' from building | Aimed 10° above horizontal



(Light Distribution Patterns continue on next page)



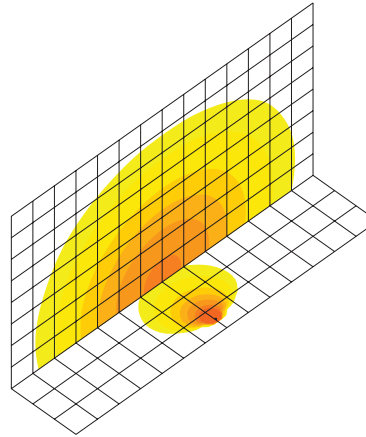
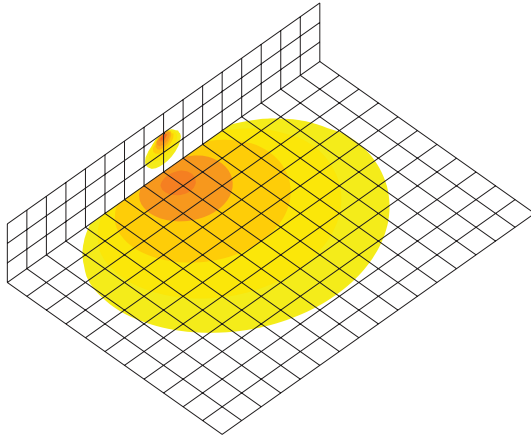
KT-FLEDXXPS-R4A-UNV-8CSB-VDIM-X GENERAL PURPOSE FLOODLIGHT

LIGHT DISTRIBUTION PATTERNS: Isometric View from Above *(continued)*

KT-FLED75PS-R4A-UNV-8CSB-VDIM | KT-FLED75PS-R4A-UNV-8CSB-VDIM-W

Building exterior mounted at 20' | Aimed 30° below horizontal

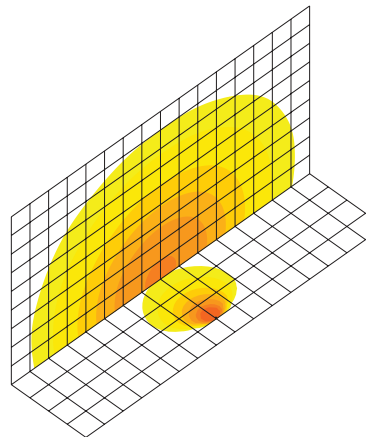
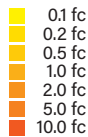
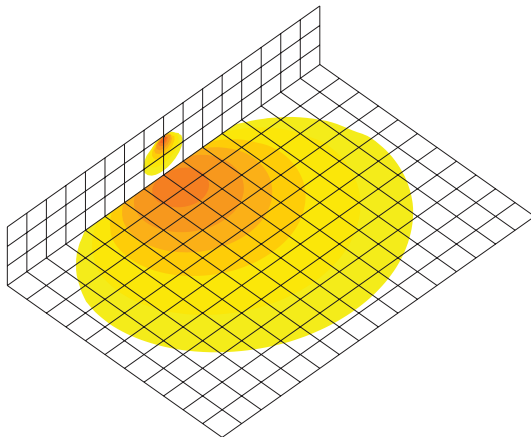
Ground mounted 6" above ground, 25' from building | Aimed 10° above horizontal



KT-FLED100PS-R4A-UNV-8CSB-VDIM | KT-FLED100PS-R4A-UNV-8CSB-VDIM-W

Building exterior mounted at 20' | Aimed 30° below horizontal

Ground mounted 6" above ground, 30' from building | Aimed 10° above horizontal

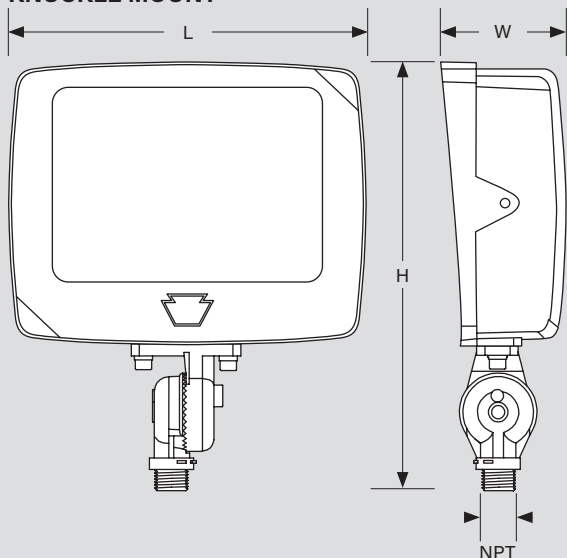


KT-FLEDXXPS-R4A-UNV-8CSB-VDIM-X

GENERAL PURPOSE FLOODLIGHT

PHYSICAL SPECIFICATIONS

KNUCKLE MOUNT



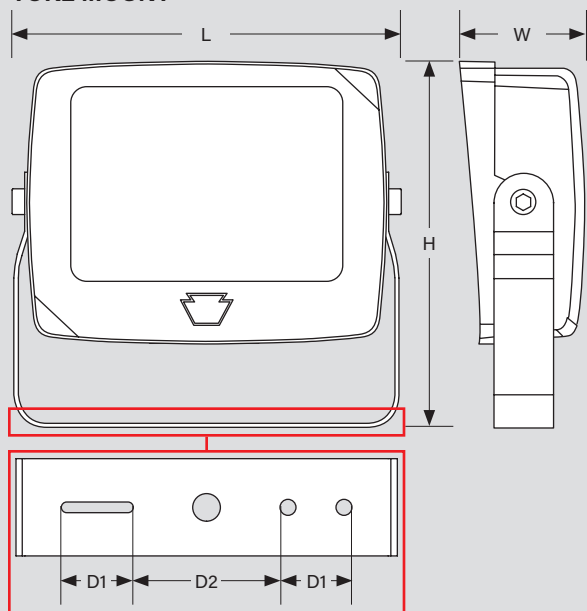
Dimensions

L (Length)	H (Height)	W (Width)	NPT
KT-FLED15PS-R4A-UNV-8CSB-VDIM KT-FLED15PS-R4A-UNV-8CSB-VDIM-W			
6.48"	8.43"	2.40"	0.5"
KT-FLED35PS-R4A-UNV-8CSB-VDIM KT-FLED35PS-R4A-UNV-8CSB-VDIM-W			
7.39"	8.70"	2.51"	0.5"
KT-FLED60PS-R4A-UNV-8CSB-VDIM KT-FLED60PS-R4A-UNV-8CSB-VDIM-W			
8.72"	10.31"	3.04"	0.5"

Weight

Catalog Number	Fixture Weight	Carton Weight
KT-FLED15PS-R4A-UNV-8CSB-VDIM KT-FLED15PS-R4A-UNV-8CSB-VDIM-W	2.25 lbs	2.89 lbs
KT-FLED35PS-R4A-UNV-8CSB-VDIM KT-FLED35PS-R4A-UNV-8CSB-VDIM-W	2.49 lbs	3.26 lbs
KT-FLED60PS-R4A-UNV-8CSB-VDIM KT-FLED60PS-R4A-UNV-8CSB-VDIM-W	3.52 lbs	4.31 lbs

YOKE MOUNT



Dimensions

L (Length)	H (Height)	W (Width)	D1 (Distance 1)	D2 (Distance 2)
KT-FLED15PS-R4A-UNV-8CSB-VDIM KT-FLED15PS-R4A-UNV-8CSB-VDIM-W				
7.41"	6.10"	2.40"	1.10"	2.21"
KT-FLED35PS-R4A-UNV-8CSB-VDIM KT-FLED35PS-R4A-UNV-8CSB-VDIM-W				
8.33"	7.02"	2.51"	1.10"	2.21"
KT-FLED60PS-R4A-UNV-8CSB-VDIM KT-FLED60PS-R4A-UNV-8CSB-VDIM-W				
9.70"	8.11"	3.04"	1.10"	2.21"

Weight

Catalog Number	Fixture Weight	Carton Weight
KT-FLED15PS-R4A-UNV-8CSB-VDIM KT-FLED15PS-R4A-UNV-8CSB-VDIM-W	2.31 lbs	2.89 lbs
KT-FLED35PS-R4A-UNV-8CSB-VDIM KT-FLED35PS-R4A-UNV-8CSB-VDIM-W	2.37 lbs	3.26 lbs
KT-FLED60PS-R4A-UNV-8CSB-VDIM KT-FLED60PS-R4A-UNV-8CSB-VDIM-W	2.42 lbs	4.32 lbs

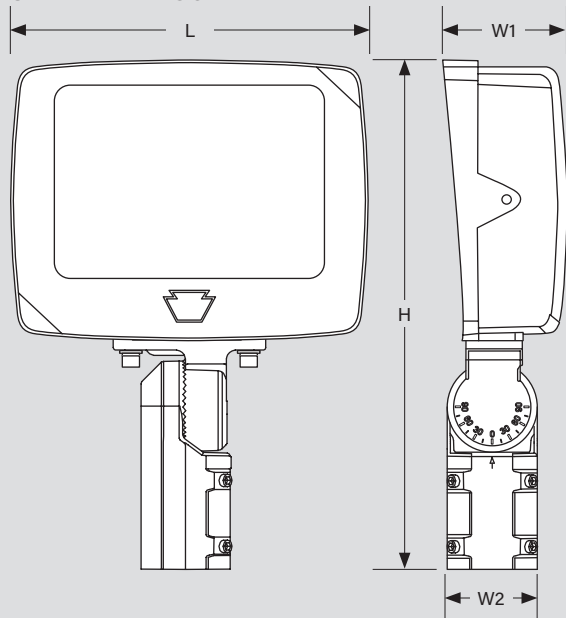
(Physical Specifications continues on next page)

KT-FLEDXXPS-R4A-UNV-8CSB-VDIM-X

GENERAL PURPOSE FLOODLIGHT

PHYSICAL SPECIFICATIONS *(continued)*

SLIPFITTER MOUNT



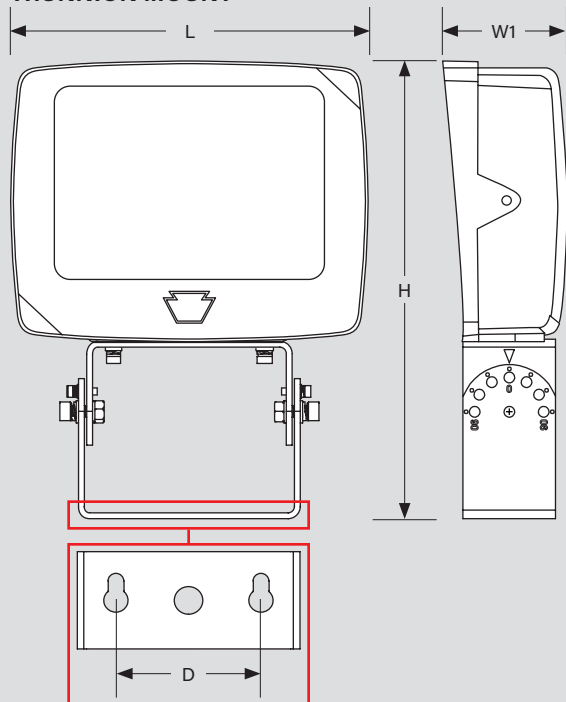
Dimensions

L (Length)	H (Height)	W1 (Width 1)	W2 (Width 2)
KT-FLED75PS-R4A-UNV-8CSB-VDIM KT-FLED75PS-R4A-UNV-8CSB-VDIM-W KT-FLED100PS-R4A-UNV-8CSB-VDIM KT-FLED100PS-R4A-UNV-8CSB-VDIM-W			
10.53"	14.57"	3.61"	2.48"

Weight

Catalog Number	Fixture Weight	Carton Weight
KT-FLED75PS-R4A-UNV-8CSB-VDIM KT-FLED75PS-R4A-UNV-8CSB-VDIM-W	5.75 lbs	7.28 lbs
KT-FLED100PS-R4A-UNV-8CSB-VDIM KT-FLED100PS-R4A-UNV-8CSB-VDIM-W	6.12 lbs	7.28 lbs

TRUNNION MOUNT



Dimensions

L (Length)	H (Height)	W (Width)	D (Distance)
KT-FLED75PS-R4A-UNV-8CSB-VDIM KT-FLED75PS-R4A-UNV-8CSB-VDIM-W KT-FLED100PS-R4A-UNV-8CSB-VDIM KT-FLED100PS-R4A-UNV-8CSB-VDIM-W			
10.53"	12.41"	3.61"	2.67"

Weight

Catalog Number	Fixture Weight	Carton Weight
KT-FLED75PS-R4A-UNV-8CSB-VDIM KT-FLED75PS-R4A-UNV-8CSB-VDIM-W	6.12 lbs	7.28 lbs
KT-FLED100PS-R4A-UNV-8CSB-VDIM KT-FLED100PS-R4A-UNV-8CSB-VDIM-W	6.49 lbs	7.28 lbs

KT-FLEDXXPS-R4A-UNV-8CSB-VDIM-X

GENERAL PURPOSE FLOODLIGHT

MOUNTING OPTIONS

KNUCKLE MOUNT (Bronze or White)



KT-FLED15PS-R4A-UNV-8CSB-VDIM
KT-FLED15PS-R4A-UNV-8CSB-VDIM-W



KT-FLED35PS-R4A-UNV-8CSB-VDIM
KT-FLED35PS-R4A-UNV-8CSB-VDIM-W



KT-FLED60PS-R4A-UNV-8CSB-VDIM
KT-FLED60PS-R4A-UNV-8CSB-VDIM-W



YOKE MOUNT (Bronze or White)



KT-FLED15PS-R4A-UNV-8CSB-VDIM
KT-FLED15PS-R4A-UNV-8CSB-VDIM-W



KT-FLED35PS-R4A-UNV-8CSB-VDIM
KT-FLED35PS-R4A-UNV-8CSB-VDIM-W



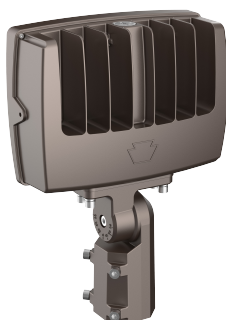
KT-FLED60PS-R4A-UNV-8CSB-VDIM
KT-FLED60PS-R4A-UNV-8CSB-VDIM-W



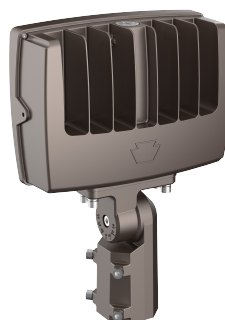
SLIPFITTER MOUNT (Bronze or White)



KT-FLED75PS-R4A-UNV-8CSB-VDIM
KT-FLED75PS-R4A-UNV-8CSB-VDIM-W



KT-FLED100PS-R4A-UNV-8CSB-VDIM
KT-FLED100PS-R4A-UNV-8CSB-VDIM-W



TRUNNION MOUNT (Bronze or White)



KT-FLED75PS-R4A-UNV-8CSB-VDIM
KT-FLED75PS-R4A-UNV-8CSB-VDIM-W



KT-FLED100PS-R4A-UNV-8CSB-VDIM
KT-FLED100PS-R4A-UNV-8CSB-VDIM-W





KT-FLEDXXPS-R4A-UNV-8CSB-VDIM-X

GENERAL PURPOSE FLOODLIGHT

EPA SPECIFICATIONS

FIXTURE HOUSING

- Conditions: Horizontal winds only for calculations.
- Worst case total projected area used for calculations.
- All drag coefficients are set as worst case 1.2.
- For details on exact EPA calculations and assumptions, please contact productsupport@keystonetech.com

EPA CALCULATIONS FOR 15-100W FIXTURES

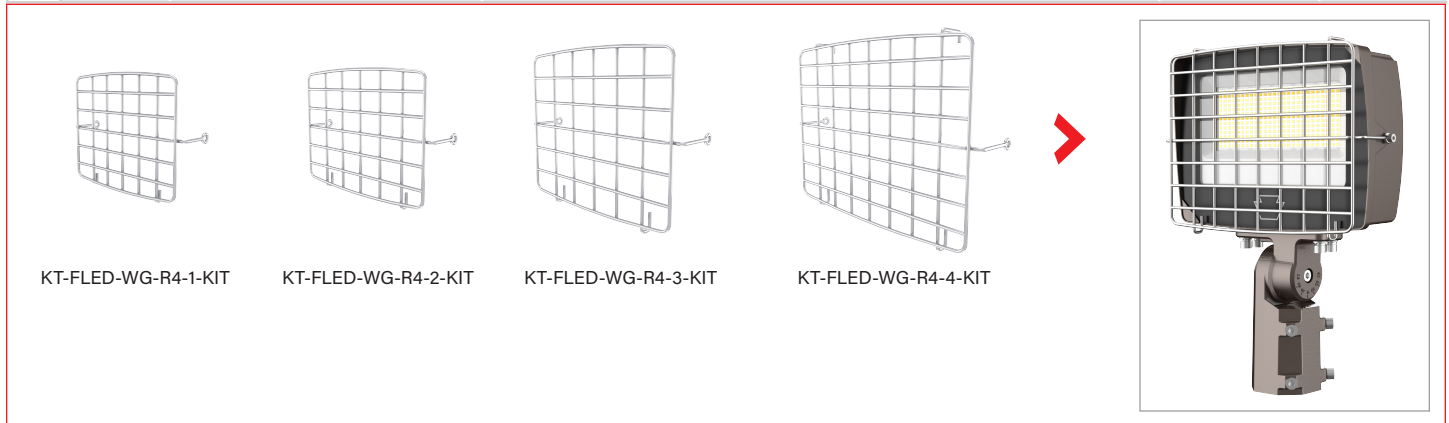
FIXTURE WATTAGE	MOUNTING POSITION		
	Vertical	Horizontal	45°
15W	0.25 sq/ft	0.12 sq/ft	0.26 sq/ft
35W	0.34 sq/ft	0.17 sq/ft	0.36 sq/ft
60W	0.42 sq/ft	0.20 sq/ft	0.44 sq/ft
75W	0.62 sq/ft	0.30 sq/ft	0.65 sq/ft
100W	0.62 sq/ft	0.30 sq/ft	0.65 sq/ft

ACCESSORIES

GUARDS AND SHIELDS

Field-Installable only (purchased separately)

✓	SUFFIX*	CATALOG NUMBER	DESCRIPTION	UPC	EASY CODE
	—	KT-FLED-WG-R4-1-KIT	Wire guard Used on 15W series 4 floodlight	843654160412	GZR-05
	—	KT-FLED-WG-R4-2-KIT	Wire guard Used on 35W series 4 floodlight	843654160429	OST-13
	—	KT-FLED-WG-R4-3-KIT	Wire guard Used on 60W series 4 floodlight	843654160436	SYN-26
	—	KT-FLED-WG-R4-4-KIT	Wire guard Used on 75W and 100W series 4 floodlight	843654160443	NSA-47



(Accessories continue on next page)



KT-FLEDXXPS-R4A-UNV-8CSB-VDIM-X

GENERAL PURPOSE FLOODLIGHT

ACCESSORIES *(continued)*

MOUNTS AND BRACKETS

Field-Installable only (purchased separately)

✓	SUFFIX*	CATALOG NUMBER	DESCRIPTION	UPC	EASY CODE
	—	KT-FLED-SF-1-KIT	Slipfitter Mount Adaptor Used on 15-60W series 4 floodlight Bronze	843654153308	JJS-86
	—	KT-FLED-SF-1-KIT-W	Slipfitter Mount Adaptor Used on 15-60W series 4 floodlight White	843654153582	TZP-68
	—	KT-FLED-KM-1-KIT	Knuckle mount Used on 75-100W series 4 floodlight Bronze	843654146836	JAR-10
	—	KT-FLED-KM-1-KIT-W	Knuckle mount Used on 75-100W series 4 floodlight White	843654160931	BWO-02
	—	KT-FLED-SM-1-KIT	Surface mount/wall mount kit Used on 15-60W series 4 floodlight Bronze	843654129167	HZJ-35
	—	KT-FLED-SM-1-KIT-W	Surface mount/wall mount kit Used on 15-60W series 4 floodlight White	843654140551	JNW-56



KT-FLED-SF-1-KIT



KT-FLED-SF-1-KIT-W



KT-FLED-KM-1-KIT



KT-FLED-KM-1-KIT-W



KT-FLED-SM-1-KIT



KT-FLED-SM-1-KIT-W



KT-FLEDXXPS-R4A-UNV-8CSB-VDIM-X

GENERAL PURPOSE FLOODLIGHT

ORDERING INFORMATION

Catalog Number	UPC	Easy Code	DLC Product ID
KT-FLED15PS-R4A-UNV-8CSB-VDIM	843654159980	XBU-79	TBD
KT-FLED15PS-R4A-UNV-8CSB-VDIM-W	843654159997	BAU-35	TBD
KT-FLED35PS-R4A-UNV-8CSB-VDIM	843654160009	WAW-25	TBD
KT-FLED35PS-R4A-UNV-8CSB-VDIM-W	843654160016	VAO-46	TBD
KT-FLED60PS-R4A-UNV-8CSB-VDIM	843654160023	CFQ-95	TBD
KT-FLED60PS-R4A-UNV-8CSB-VDIM-W	843654160030	NJC-32	TBD
KT-FLED75PS-R4A-UNV-8CSB-VDIM	843654160047	FKY-33	TBD
KT-FLED75PS-R4A-UNV-8CSB-VDIM-W	843654160054	XET-23	TBD
KT-FLED100PS-R4A-UNV-8CSB-VDIM	843654160061	WEC-82	TBD
KT-FLED100PS-R4A-UNV-8CSB-VDIM-W	843654160078	CEF-57	TBD

CATALOG NUMBER BREAKDOWN

KT-FLEDXXPS-R4A-UNV-8CSB-VDIM-X

1 2 3 4 5 6 7 8 9 10 11 12 13

1 Keystone Technologies

2 LED Floodlight Fixture

3 Max Wattage

4 Power Select

5 Rectangular Shape

6 Style

7 Distribution

8 Mounting

9 80 CRI

10 Color Select

11 Color Select Designation

12 0-10V Dimming

13 Housing Color

6 Style

4 Series 4

7 Distribution

A Wide (7H x 7V)

8 Mounting

UNV Universal

11 Color Select Designation

B 3000/4000/5000K

13 Housing Color

Bronze

-W White