



# KT-LED80HID-V-E26-840-D /G2

## HID REPLACEMENT LED LAMP

### DESCRIPTION

80W HID Replacement LED Lamp | 4000K | >80 CRI | Vertical Light Direction



<b>LAMP TYPE:</b> HID Replacement LED	<b>METAL HALIDE EQUIVALENT:</b> 250W
<b>BASE TYPE:</b> E26 (Medium)	<b>COLOR RENDERING INDEX (CRI):</b> >80
<b>WATTAGE:</b> 80W	<b>WARRANTY:</b> 5 Years
<b>COLOR TEMPERATURE:</b> 4000K	



### PRODUCT FEATURES

- Replacement for conventional metal halide lamp
- 50,000+ hour lifetime
- Environmentally friendly: No mercury used
- Instant startup
- UL listed
- Suitable for use in fully enclosed fixture. Minimum lamp compartment dimensions: 9.8in x 9.8in x 8.2in
- Delivers approximately 5% uplift
- Integral driver, eliminates the need for external driver or ballast; Includes 4kV surge protection
- Operating temperature range: -30°C/-22°F to 60°C/140°F
- Exceeding 30°C/86°F in fully enclosed fixtures will engage active cooling and power de-rating to ensure full product lifetime
- Lamp top has a low-voltage AUX port for lamp level sensor controls
- Do not use with standard dimmers. Not compatible with phase dimmers. Dimming functions with sensors only

### OPERATING SPECIFICATIONS

#### ELECTRICAL CHARACTERISTICS

Input Voltage	Power Consumption	Power Factor	Input Current
120-277Vac	80W	>0.9	0.67A @ 120V 0.29A @ 277V

#### RATED LIFE

<b>L70 (Hours)</b>	50,000
--------------------	--------

#### PHOTOMETRIC CHARACTERISTICS

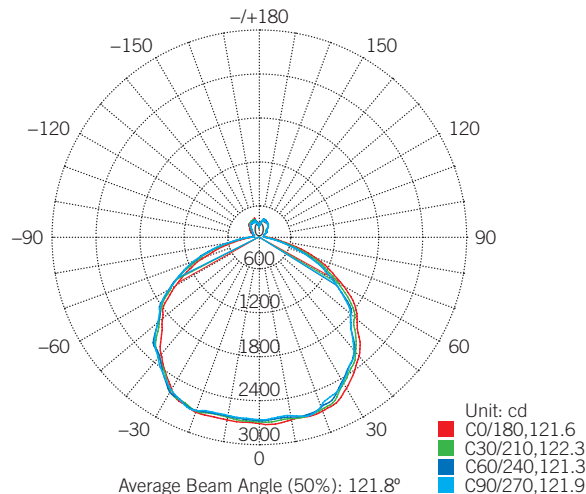
<b>Color Temperature (CCT)</b>	4000K
<b>Luminous Flux</b>	10500 lm
<b>Color Rendering Index (CRI)</b>	>80
<b>Efficacy</b>	131 lm/W
<b>Visible Light Area</b>	180°

#### SMART PORT LED COMPATIBLE

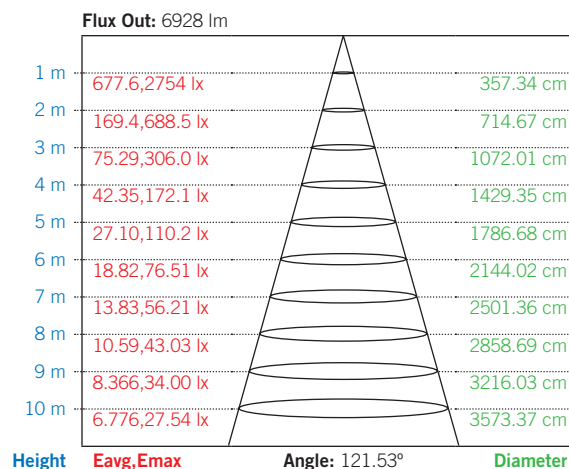


On the top of the lamp is a low-voltage AUX port for Smart Port LED sensors.  
See *Accessories* for available sensor options.

#### POLAR CANDELA DISTRIBUTION



#### LUX DISTANCE CURVE



Note: The curves indicate the illuminated area and the average illumination when the luminaire is at a different distance.

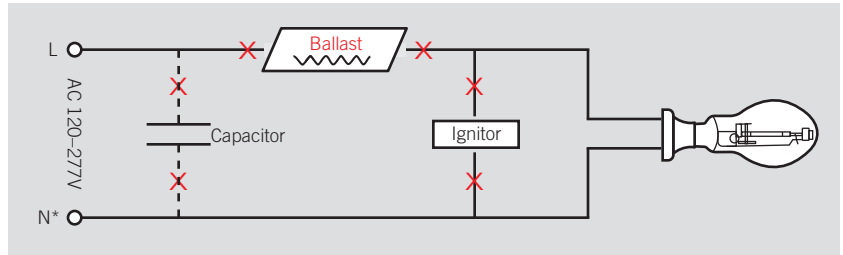
# KT-LED80HID-V-E26-840-D /G2

## HID REPLACEMENT LED LAMP

### WIRING INSTRUCTIONS

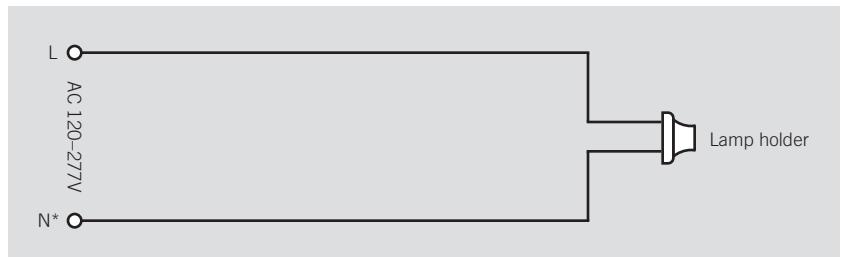
#### STEP 1

**Disconnect power.** Disconnect and remove existing ballast, capacitor, and/or ignitor (where applicable) from fixture.



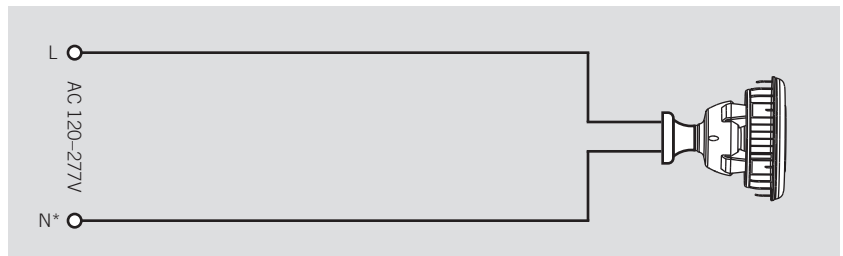
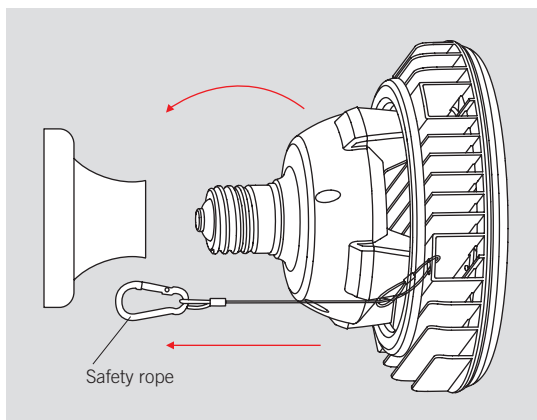
#### STEP 2

Rewire for line voltage to the lamp socket. Lamp is compatible with 120-277V from single phase, three phase wye, and three phase delta systems.



#### STEP 3

Install new LED replacement lamp. Ensure lamp is operating properly when power is turned on.



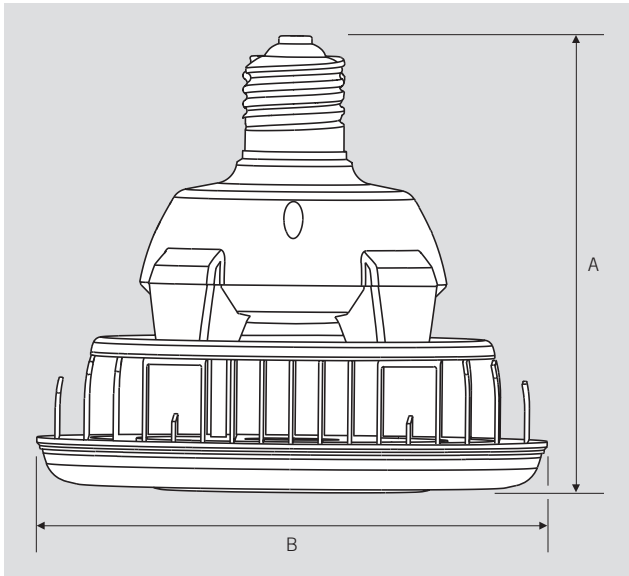
\*or other line for certain three phase systems such as 120/208 three phase wye systems



# KT-LED80HID-V-E26-840-D /G2

## HID REPLACEMENT LED LAMP

### PHYSICAL CHARACTERISTICS



### LAMP DIMENSIONS

A (Body Length)	6.41"
B (Diameter)	7.87"

BASE TYPE: E26 (Medium)

### ACCESSORIES (SOLD SEPARATELY)

Catalog Number	Description
KTS-MW1-12V-AUX	SmartPort LED Microwave Occupancy sensor: On/Off with adjustable standby dimming level; 12V input
KTS-PIR1-12V-AUX	SmartPort LED PIR Occupancy sensor: On/Off with adjustable standby dimming level; 12V input
KTS-PS1-12V-AUX	SmartPort LED Photocell: On/Off with adjustable daylight threshold and timing; 12V input

### ORDERING INFORMATION

ORDER CODE	PACK QTY.	EASY CODE	UPC
KT-LED80HID-V-E26-840-D /G2-DP	4	RQW-49	843654121758

### CATALOG NUMBER BREAKDOWN

# KT-LED80HID-V-E26-840-D /G2

1 2 3 4 5 6 7 8 9 10

- |                         |                       |
|-------------------------|-----------------------|
| 1 Keystone Technologies | 6 Base Type           |
| 2 LED Lamp              | 7 800 Series          |
| 3 Wattage               | 8 Color Temperature   |
| 4 Lamp Type             | 9 Direct-Drive Series |
| 5 Vertical Orientation  | 10 Second Generation  |