



KT-LEDXXRD-XC-9CSF-DIM-CS-XX

DOWNLIGHT RETROFIT TRIM

DESCRIPTION

Downlight Retrofit Trim | 120V Input
 TRIAC Dimming | 2500/3000/3500/4000/5000K | Plastic Housing
 Quick-Disconnect E26 Base

APPLICATION

Ideal for residential, hospitality, retail, and other retrofit and new construction applications



PRODUCT FEATURES

- Keystone Color Select technology (2700/3000/3500/4000/5000K)
- Includes quick-disconnect E26 base adaptor for easy, screw-in install
- Improved aesthetics vs legacy trims
- Ideal for retrofit and remodel applications
- Diffused lens for visual comfort and reduced glare
- Smooth, uniform dimming
- Suitable for use in wet locations
- Suitable for use in 4" recessed cans
- PF > 0.98
- Operating temperature range: -4°F/-20°C to 95°F/35°C
- UL 1598C Retrofit Kit (8W, 10W)
- UL 1993 Recognized Component (8W, 10W)
- ETL Classified Luminaire (14W)
- ETL Classified Retrofit Kit (14W)
- T20/T24/JA8 compliant
- Complies with Part 15 of FCC

PERFORMANCE SPECIFICATIONS OVERVIEW

Catalog Number	Wattage	Selectable CCT	Lumens	Efficacy	Input Voltage	CRI	Power Factor	Beam Angle	Lifetime
KT-LED7RD-4C-9CSF-DIM-CS KT-LED7RD-4C-9CSF-DIM-CS-BP	7.5W	2700/3000/3500/4000/5000K	700-760	93-101 lm/W	120V	>90	>0.9	95°	50,000 hrs
KT-LED7RD-4CB-9CSF-DIM-CS KT-LED7RD-4CB-9CSF-DIM-CS-BP	7.5W	2700/3000/3500/4000/5000K	700-760	93-101 lm/W	120V	>90	>0.9	95°	50,000 hrs
KT-LED10RD-6C-9CSF-DIM-CS KT-LED10RD-6C-9CSF-DIM-CS-BP	10W	2700/3000/3500/4000/5000K	900-960	90-96 lm/W	120V	>90	>0.9	95°	50,000 hrs
KT-LED10RD-6CB-9CSF-DIM-CS KT-LED10RD-6CB-9CSF-DIM-CS-BP	10W	2700/3000/3500/4000/5000K	900-960	90-96 lm/W	120V	>90	>0.9	95°	50,000 hrs

* Preset to lowest CCT: 2700K
 Color Uniformity: CCT (Correlated Color Temperature) range as per guidelines outlined in ANSI C78.377-2017



KT-LEDXXRD-XC-9CSF-DIM-CS-XX

DOWNLIGHT RETROFIT TRIM

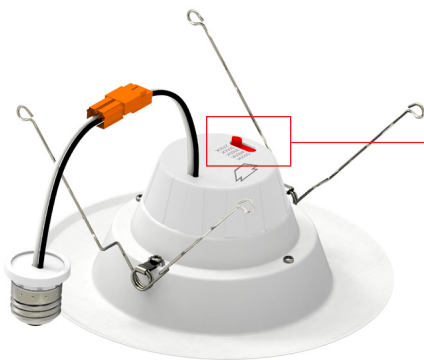
PERFORMANCE SPECIFICATIONS DETAILED

Catalog Number	Wattage	Selectable CCT	Lumens	Efficacy	Input Voltage	CRI	Power Factor	Beam Angle	Lifetime
KT-LED7RD-4C-9CSF-DIM-CS KT-LED7RD-4C-9CSF-DIM-CS-BP	7.5W	2700K	700	93 lm/W	120V	>90	>0.9	95°	50,000 hrs
		3000K	730	97 lm/W					
		3500K	760	101 lm/W					
		4000K	760	101 lm/W					
		5000K	730	97 lm/W					
KT-LED7RD-4CB-9CSF-DIM-CS KT-LED7RD-4CB-9CSF-DIM-CS-BP	7.5W	2700K	700	93 lm/W	120V	>90	>0.9	95°	50,000 hrs
		3000K	730	97 lm/W					
		3500K	760	101 lm/W					
		4000K	760	101 lm/W					
		5000K	730	97 lm/W					
KT-LED10RD-6C-9CSF-DIM-CS KT-LED10RD-6C-9CSF-DIM-CS-BP	10W	2700K	900	90 lm/W	120V	>90	>0.9	95°	50,000 hrs
		3000K	930	93 lm/W					
		3500K	960	96 lm/W					
		4000K	960	96 lm/W					
		5000K	930	93 lm/W					
KT-LED10RD-6CB-9CSF-DIM-CS KT-LED10RD-6CB-9CSF-DIM-CS-BP	10W	2700K	900	90 lm/W	120V	>90	>0.9	95°	50,000 hrs
		3000K	930	93 lm/W					
		3500K	960	96 lm/W					
		4000K	960	96 lm/W					
		5000K	930	93 lm/W					

* Preset to lowest CCT: 2700K
 Color Uniformity: CCT (Correlated Color Temperature) range as per guidelines outlined in ANSI C78.377-2017

KEY FEATURES

This fixture is equipped with field-adjustable Keystone Color Select technology. Before installation select desired CCT by adjusting the dip switch.



COLOR SELECT ADJUSTMENT SWITCH

Set dip switch to adjust CCT between 2700K, 3000K, 3500K, 4000K, and 5000K. Fixture comes preset at 2700K.

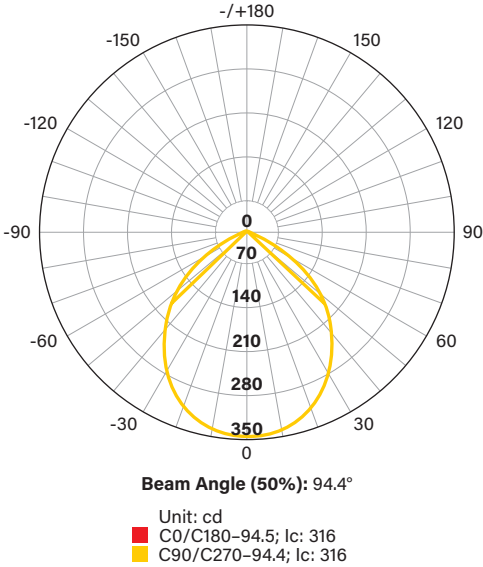


KT-LEDXXRD-**XC**-9CSF-DIM-CS-XX

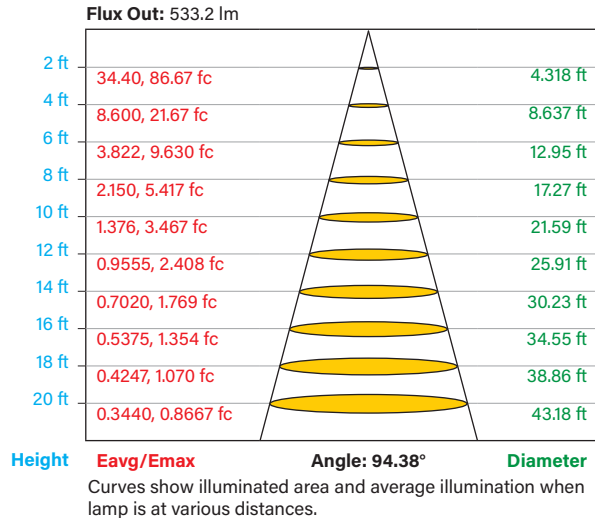
DOWNLIGHT RETROFIT TRIM

PHOTOMETRIC SPECIFICATIONS (KT-LED7RD-4C-9CSF-DIM-CS)

POLAR CANDELA DISTRIBUTION



LUX DISTANCE CURVE

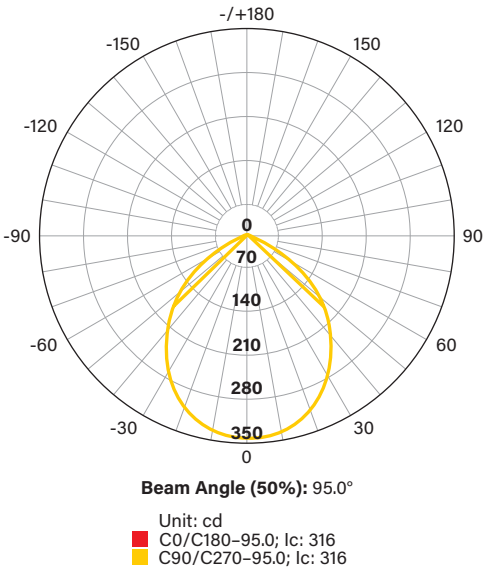


ZONAL LUMEN SUMMARY

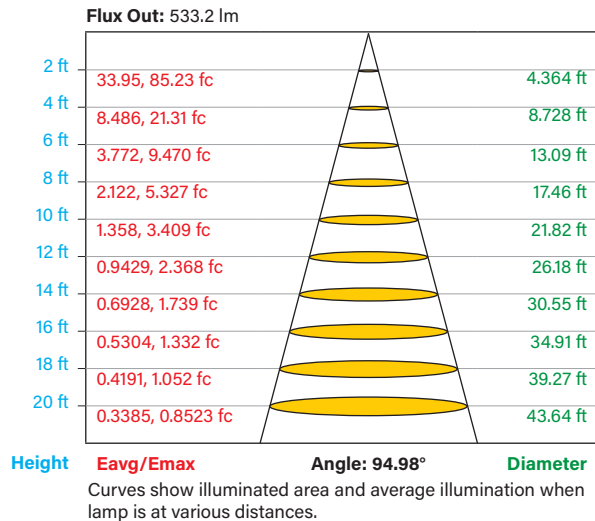
Zone	Lumens	% Luminaire
0-30	260.9	35.3%
0-40	415.4	56.2%
0-60	666.6	90.3%
60-90	71.9	9.7%
70-100	18.4	2.5%
90-120	0.0	0.0%
0-90	738.5	100.0%
90-180	0.0	0.0%
0-180	738.5	100.0%

PHOTOMETRIC SPECIFICATIONS (KT-LED7RD-4CB-9CSF-DIM-CS)

POLAR CANDELA DISTRIBUTION



LUX DISTANCE CURVE



ZONAL LUMEN SUMMARY

Zone	Lumens	% Luminaire
0-30	256.7	34.9%
0-40	409.3	55.6%
0-60	659.7	89.7%
60-90	75.8	10.3%
70-100	29.5	2.8%
90-120	0.0	0.0%
0-90	735.6	100.0%
90-180	0.0	0.0%
0-180	735.6	100.0%

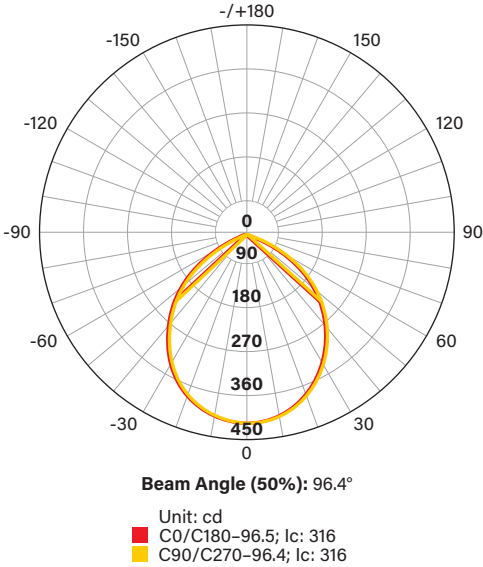


KT-LEDXXRD-XC-9CSF-DIM-CS-XX

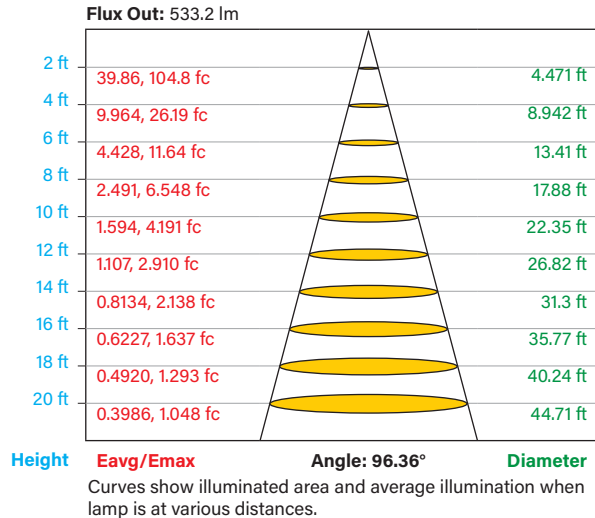
DOWNLIGHT RETROFIT TRIM

PHOTOMETRIC SPECIFICATIONS (KT-LED10RD-6C-9CSF-DIM-CS)

POLAR CANDELA DISTRIBUTION



LUX DISTANCE CURVE

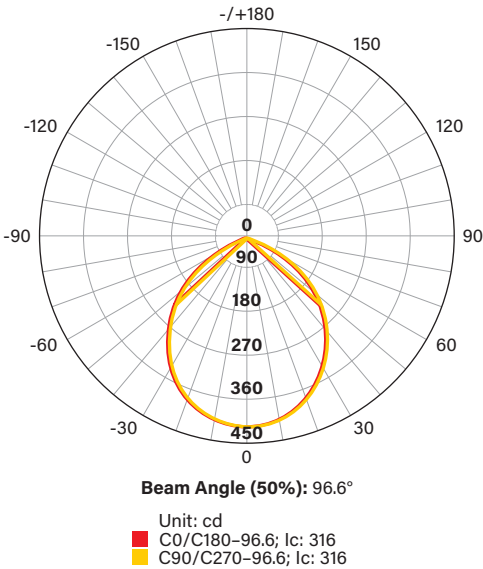


ZONAL LUMEN SUMMARY

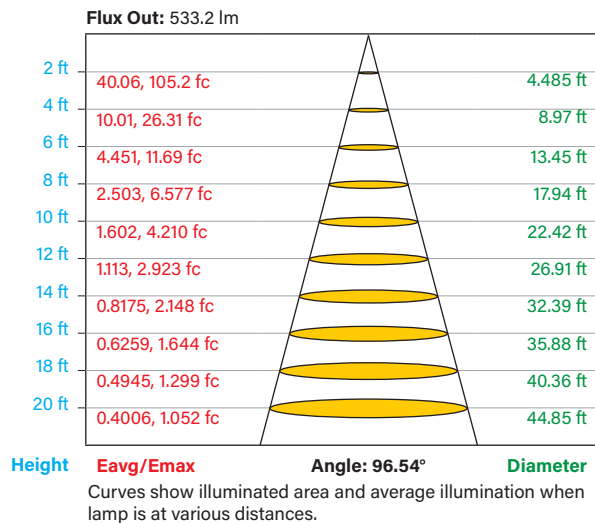
Zone	Lumens	% Luminaire
0-30	313.9	34.2%
0-40	500.3	54.5%
0-60	817.9	89.1%
60-90	99.8	10.9%
70-100	23.7	2.6%
90-120	0.0	0.0%
0-90	917.7	100.0%
90-180	0.0	0.0%
0-180	917.7	100.0%

PHOTOMETRIC SPECIFICATIONS (KT-LED10RD-6CB-9CSF-DIM-CS)

POLAR CANDELA DISTRIBUTION



LUX DISTANCE CURVE



ZONAL LUMEN SUMMARY

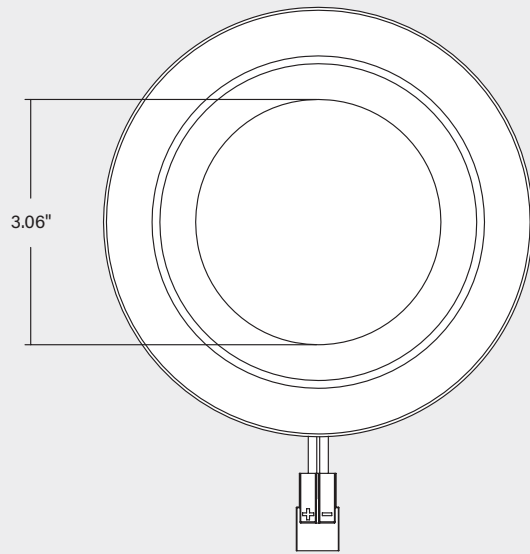
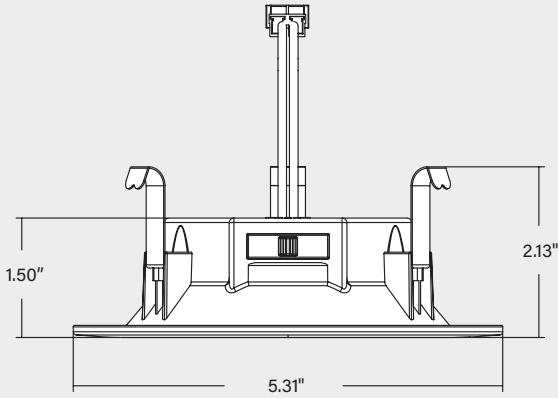
Zone	Lumens	% Luminaire
0-30	315.3	34.0%
0-40	502.6	54.2%
0-60	823.3	88.8%
60-90	103.6	11.2%
70-100	25.5	2.7%
90-120	0.0	0.0%
0-90	927.0	100.0%
90-180	0.0	0.0%
0-180	927.0	100.0%

KT-LEDXXRD-XC-9CSF-DIM-CS-XX

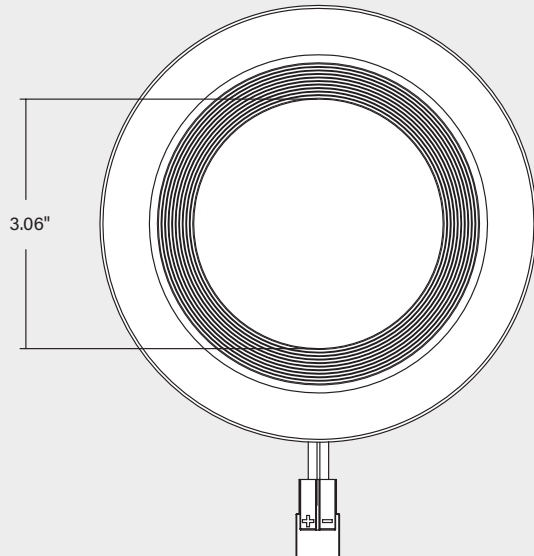
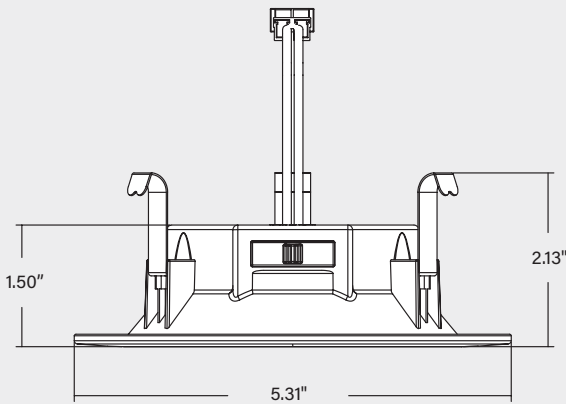
DOWNLIGHT RETROFIT TRIM

PHYSICAL SPECIFICATIONS

KT-LED7RD-4C-9CSF-DIM-CS
KT-LED7RD-4C-9CSF-DIM-CS-BP



KT-LED7RD-4CB-9CSF-DIM-CS
KT-LED7RD-4CB-9CSF-DIM-CS-BP



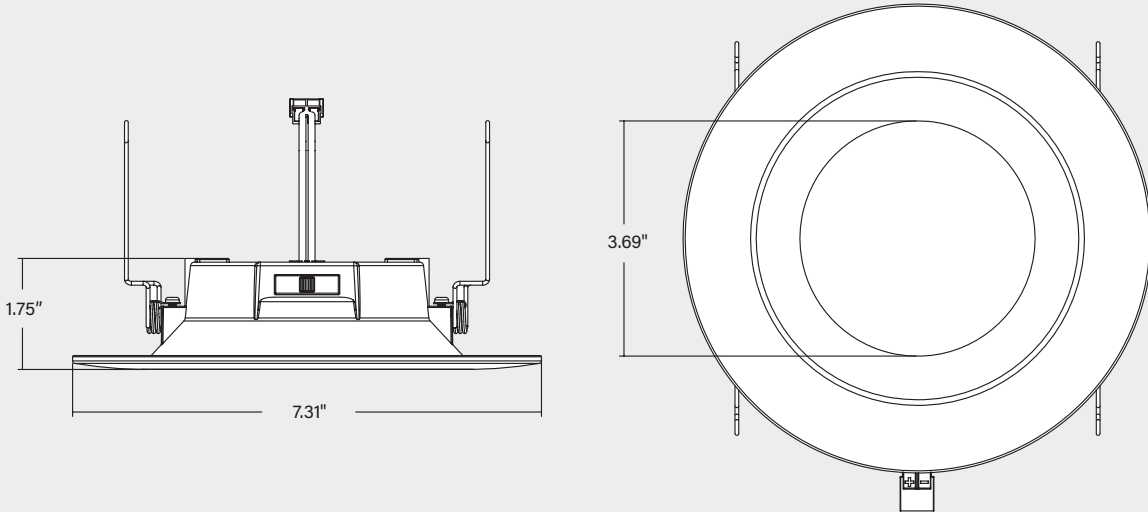


KT-LEDXXRD-XC-9CSF-DIM-CS-XX

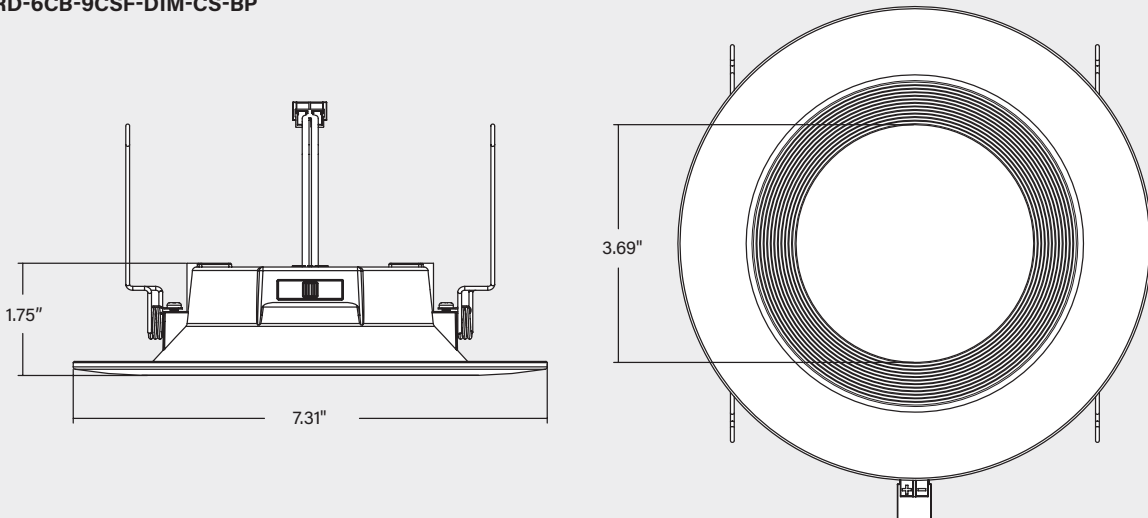
DOWNLIGHT RETROFIT TRIM

PHYSICAL SPECIFICATIONS (continued)

KT-LED10RD-6C-9CSF-DIM-CS
KT-LED10RD-6C-9CSF-DIM-CS-BP



KT-LED10RD-6CB-9CSF-DIM-CS
KT-LED10RD-6CB-9CSF-DIM-CS-BP

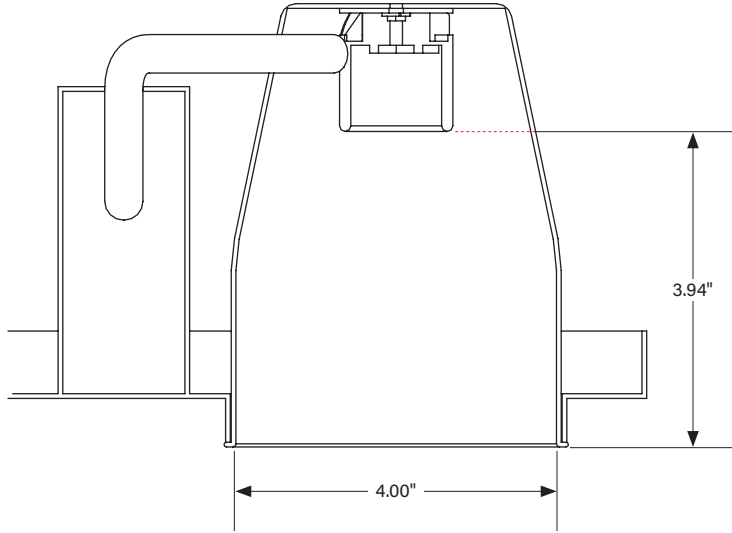


KT-LED10RD-6C-830-DIM-CS /G2
DOWNLIGHT RETROFIT TRIM

INSTALLATION INSTRUCTIONS

KT-LEDXXRD-4C-9CSF-CS-XX

The existing luminaire housing must be equal to or larger than overall inner dimensions illustrated below.



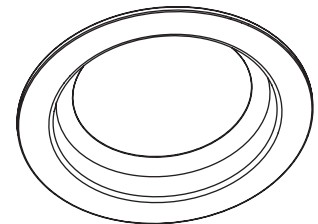
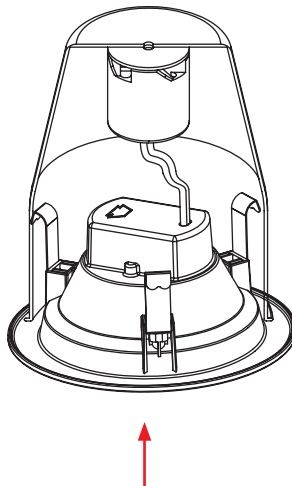
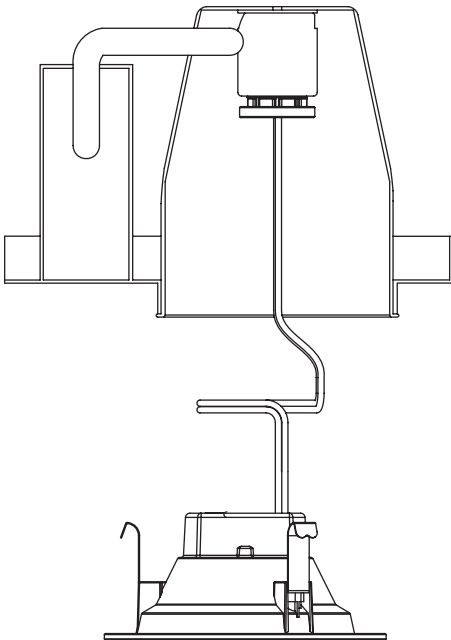
- 1. Shut off power at the source of the recessed housing into which you are installing fixture.** Remove existing trim and CFL or incandescent bulb.

Note: Follow all federal and local regulations when disposing of lamps and removed components.

- 2. Screw the E26 adaptor into the socket inside the housing.**

- 3. Carefully route wires into fixture, sliding the trim and friction clips into the housing for a tight fit.**

- 4. Push the LED trim into the housing until trim is flush with ceiling.**



(Installation Instructions continued on next page)

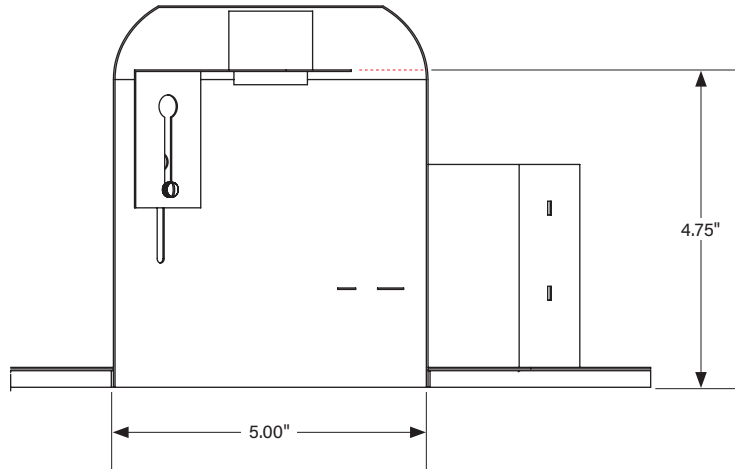
KT-LEDXXRD-XC-9CSF-DIM-CS-XX

DOWNLIGHT RETROFIT TRIM

INSTALLATION INSTRUCTIONS

KT-LEDXXRD-4C-9CSF-CS-XX

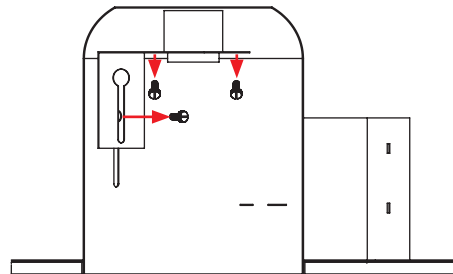
The existing luminaire housing must be equal to or larger than overall inner dimensions illustrated below.



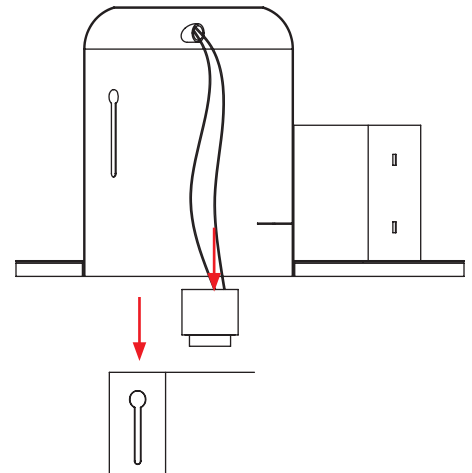
- 1. Shut off power at the source of the recessed housing into which you are installing fixture.** Remove existing trim and CFL or incandescent bulb.

Note: Follow all federal and local regulations when disposing of lamps and removed components.

- 2. Unscrew the screws on socket bracket; push bracket upward to the top.**



- 3. Remove existing socket mounting plate from the housing, then remove lamp socket from the plate.**



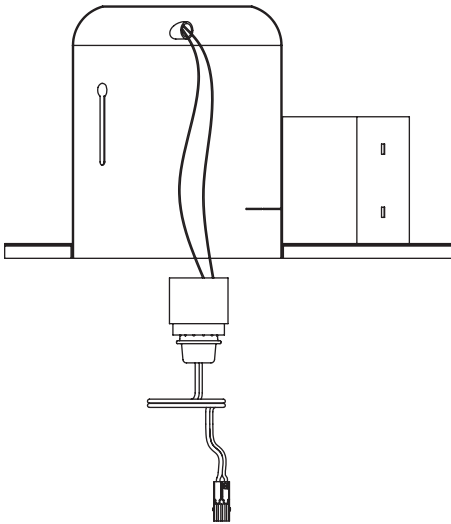
(Installation Instructions continued on next page)

KT-LEDXXRD-XC-9CSF-DIM-CS-XX

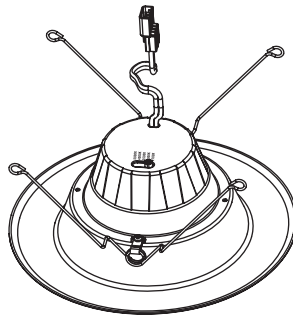
DOWNLIGHT RETROFIT TRIM

INSTALLATION INSTRUCTIONS (continued)

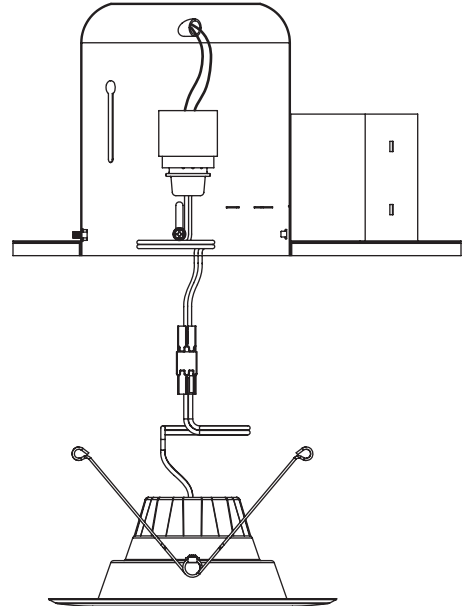
4. Screw E26 adaptor into the socket.



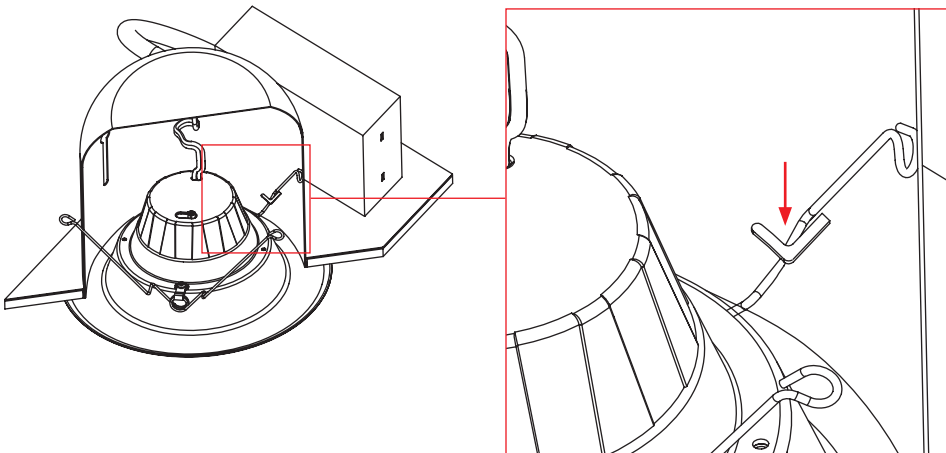
5. Select desired CCT using adjustment switch on driver box (see *Color Select (CCT) Adjustment* on page 2).



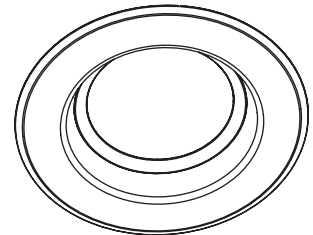
6. Plug E26 base cable connection into the recessed housing.



7. Squeeze torsion springs as shown and install into the metal brackets inside the recessed housing. For proper installation, the torsion springs should be seated within the brackets and on both sides of the housing.



8. Carefully place wires into housing, then push the LED trim into the housing until trim is flush with ceiling.
Restore power to the fixture.



KT-LEDXXRD-XC-9CSF-DIM-CS-XX

DOWNLIGHT RETROFIT TRIM

OPTIONAL ACCESSORIES (sold separately)

GU24 ADAPTOR

Catalog Number	Description	UPC	Easy Code
KT-ADPT-RD-GU24	GU24 Adaptor for downlight retrofit trim	843654137568	WTQ-04



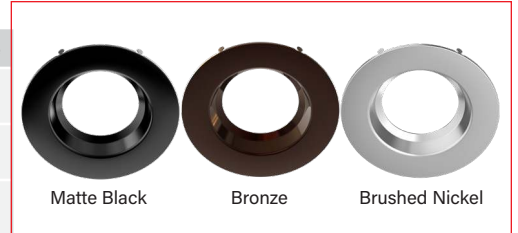
TORSION-SPRING ADAPTOR

Catalog Number	Description	UPC	Easy Code
KT-ADPT-RD-6C-TS	Torsion-spring adaptor for 5" / 6" downlight retrofit trim	843654137667	GGR-44



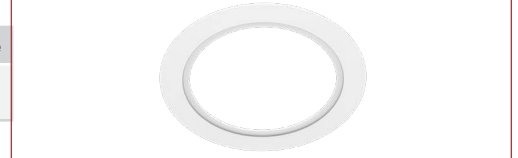
INTERCHANGEABLE TRIM

Catalog Number	Description	UPC	Easy Code
KT-TRIM-RD-6C-MB	Interchangeable trim for 5" / 6" circular downlight retrofit trim; Matte black	843654137582	OGP-16
KT-TRIM-RD-6C-BR	Interchangeable trim for 5" / 6" circular downlight retrofit trim; Bronze	843654137605	MGF-76
KT-TRIM-RD-6C-BN	Interchangeable trim for 5" / 6" circular downlight retrofit trim; Brushed nickel	843654137629	JPJ-80



GOOF RING

Catalog Number	Description	UPC	Easy Code
KT-GOOF-RD-6C	Goof ring for 5" / 6" circular downlight; 10.51" diameter	843654137643	ECX-08



ORDERING INFORMATION

Catalog Number	Carton QTY	UPC	Easy Code
KT-LED7RD-4C-9CSF-DIM-CS	4 pcs	843654176338	CDE-11
KT-LED7RD-4C-9CSF-DIM-CS-BP	12 pcs	843654176345	WCB-32
KT-LED7RD-4CB-9CSF-DIM-CS	4 pcs	843654176352	TNF-71
KT-LED7RD-4CB-9CSF-DIM-CS-BP	12 pcs	843654176369	EVH-02
KT-LED10RD-6C-9CSF-DIM-CS	4 pcs	843654176376	FHS-88
KT-LED10RD-6C-9CSF-DIM-CS-BP	12 pcs	843654176383	IFL-09
KT-LED10RD-6CB-9CSF-DIM-CS	4 pcs	843654176390	HXZ-41
KT-LED10RD-6CB-9CSF-DIM-CS-BP	12 pcs	843654176406	JXZ-08

Note: Bulk-pack items are intended for sale and distribution as a full case only; no inner cartons are provided.



KT-LEDXXRD-XC-9CSF-DIM-CS-XX

DOWNLIGHT RETROFIT TRIM

CATALOG NUMBER BREAKDOWN

KT-LEDXXRD-XC-9CSF-DIM-CS-XX

- 1
- 2
- 3
- 4
- 5
- 6
- 7
- 8
- 9
- 10
- 11
- 12

- 1** Keystone Technologies
- 2** LED Technology
- 3** Wattage
- 4** Fixture Type
- 5** Nominal Size
- 6** Shape
- 7** 90 CRI
- 8** Color Select
- 9** Color Select Designation
- 10** TRIAC Dimming
- 11** Contractor Series
- 12** Bulk Pack

3 Wattage

7	7.5W
10	10W

4 Fixture Type

RD	Recessed Downlight
----	--------------------

5 Nominal Size

4	4" Nominal
6	6" Nominal

6 Shape

C	Circular
---	----------

9 Color Select Designation

F	2700/3000/3500/4000/5000K
---	---------------------------