

KT-RKITXXPS-XXPD-8CSA-VDIM /G2/FC5

LED PANEL DOORFRAME RETROFIT KIT

DESCRIPTION

2x4 LED Retrofit Panel Kit feat. Power Select & Color Select with Embedded Smartloop PIR Sensor



10 YEAR LIMITED WARRANTY

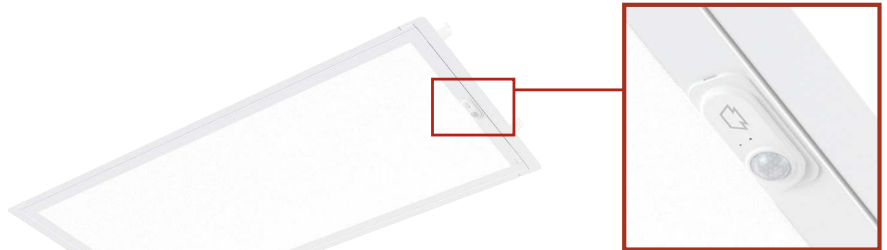
PRODUCT FEATURES

- Used to Upgrade existing 1x4, 2x2, and 2x4' fluorescent recessed troffers, without modifying existing fixture mounting.
- Keystone Power Select technology. (see Performance Specifications for details)
- Keystone Color Select Technology: Adjustable CCT (3500K, 4000K, or 5000K)
- Construction features precise optical lenses over each individual LED, offering optimal light diffusion and consistent surface illumination, with no risk of yellowing over product lifetime
- Powered by Keystone 0-10V Dimming LED Driver
- Compatible with Keystone SmartSafe LED Emergency Drivers
- Suitable for damp locations
- Nearly 70% energy saving savings compared to traditional fluorescent troffers without controls
- Operating temp range -20°C/-4°F to 40°C/104°F
- Features integrated Keystone SmartLoop Bluetooth™ mesh wireless sensor controller.
- The sensor controller may be used "out of the box" as a stand alone sensor (pre-commissioned, see page 2 for details); or may be commissioned using the SmartLoop app to add advanced functions such as zoning, high end trim, configure occupancy/vacancy behavior, create scenes, and set schedules.
- LED chip lifetime: L70 >100,000 hours @ 25°C/77°F ambient fixture temperature
- To learn more about the Keystone SmartLoop System, visit <http://www.keystonetech.com/smartloop>

PERFORMANCE SPECIFICATIONS OVERVIEW

Catalog Number	Input Voltage	Selectable Wattage	Selectable CCT	Max Lumen Outputs	Efficacy	CRI	Power Factor	Lifetime
KT-RKIT35PS-14PD-8CSA-VDIM /G2/FC5	120-277V	35W/30W/20W	3500K /4000K /5000K	3780/3850/3300	113 lm/W	>80	>0.9	50,000 Hours
KT-RKIT35PS-22PD-8CSA-VDIM /G2/FC5		35W/30W/20W		3780/3850/3300	113 lm/W			
KT-RKIT45PS-24PD-8CSA-VDIM /G2/FC5		45W/35W/30W		4860/4950/3850	113 lm/W			

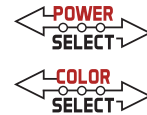
BUILT-IN FEATURES



PRECONFIGURED SETTINGS

Photo Sensor	Enabled
Motion Sensitivity	100%
Motion Sensor	Enabled
Motion Mode	Occupancy
Hold Time	20m
Standby Time	1m
Standby Percentage	50%





KT-RKITXXPS-XXPD-8CSA-VDIM /G2/FC5

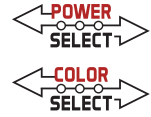
LED PANEL DOORFRAME RETROFIT KIT

PERFORMANCE SPECIFICATIONS DETAILED

Catalog Number	Input Voltage	Selectable Wattage	Selectable CCT	Lumen Output	Efficacy	CRI	Power Factor	Lifetime
KT-RKIT35PS-14PD-8CSA-VDIM /G2/FC5*	120-277V	35W	3500K	3780	110 lm/W	>80	>0.9	50,000 Hours
			4000K	3850	113 lm/W			
			5000K	3850	113 lm/W			
		30W	3500K	3300	110 lm/W			
			4000K	3360	113 lm/W			
			5000K	3360	113 lm/W			
		20W	3500K	2200	110 lm/W			
			4000K	2260	113 lm/W			
			5000K	2260	113 lm/W			
KT-RKIT35PS-22PD-8CSA-VDIM /G2/FC5*	120-277V	35W	3500K	3780	110 lm/W	>80	>0.9	50,000 Hours
			4000K	3850	113 lm/W			
			5000K	3850	113 lm/W			
		30W	3500K	3300	110 lm/W			
			4000K	3360	113 lm/W			
			5000K	3360	113 lm/W			
		20W	3500K	2200	110 lm/W			
			4000K	2260	113 lm/W			
			5000K	2260	113 lm/W			
KT-RKIT45PS-24PD-8CSA-VDIM /G2/FC5*	120-277V	45W	3500K	4860	108 lm/W	>80	>0.9	50,000 hrs
			4000K	4950	110 lm/W			
			5000K	4950	110 lm/W			
		35W	3500K	3850	110 lm/W			
			4000K	3920	112 lm/W			
			5000K	3920	112 lm/W			
		30W	3500K	3300	110 lm/W			
			4000K	3390	113 lm/W			
			5000K	3390	113 lm/W			

ONE CATALOG NUMBER WITH 9 DIFFERENT OPTIONS

* Preset to highest lumen output (5000K)
 * Color Uniformity: CCT (Correlated Color Temperature) range as per guidelines outlined in ANSI C78.377-2017.



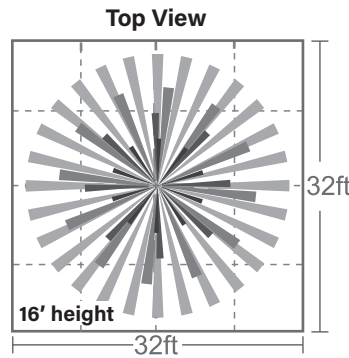
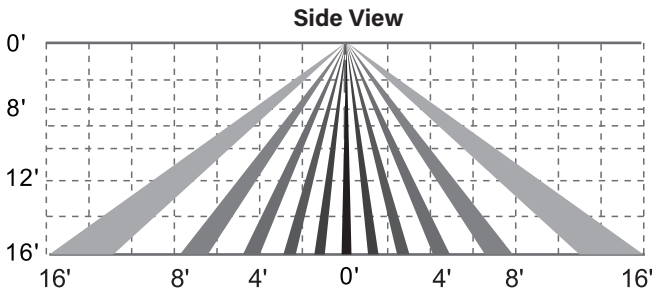
KT-RKITXXPS-XXPD-8CSA-VDIM /G2/FC5

LED PANEL DOORFRAME RETROFIT KIT

SENSOR PERFORMANCE

ELECTRICAL SPECIFICATIONS	
RF Transmit Power	8dBm
Wireless Frequency	2.4GHz
Wireless Range (Open Air)	100ft
Wireless Protocol	Bluetooth 4.2
Sensor Detection Height	16' max
Daylight Harvesting Range	100-1000 lux

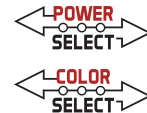
SENSOR COVERAGE



PHYSICAL SPECIFICATIONS

KT-RKIT35PS-14PD-8CSA-VDIM /G2/FC5



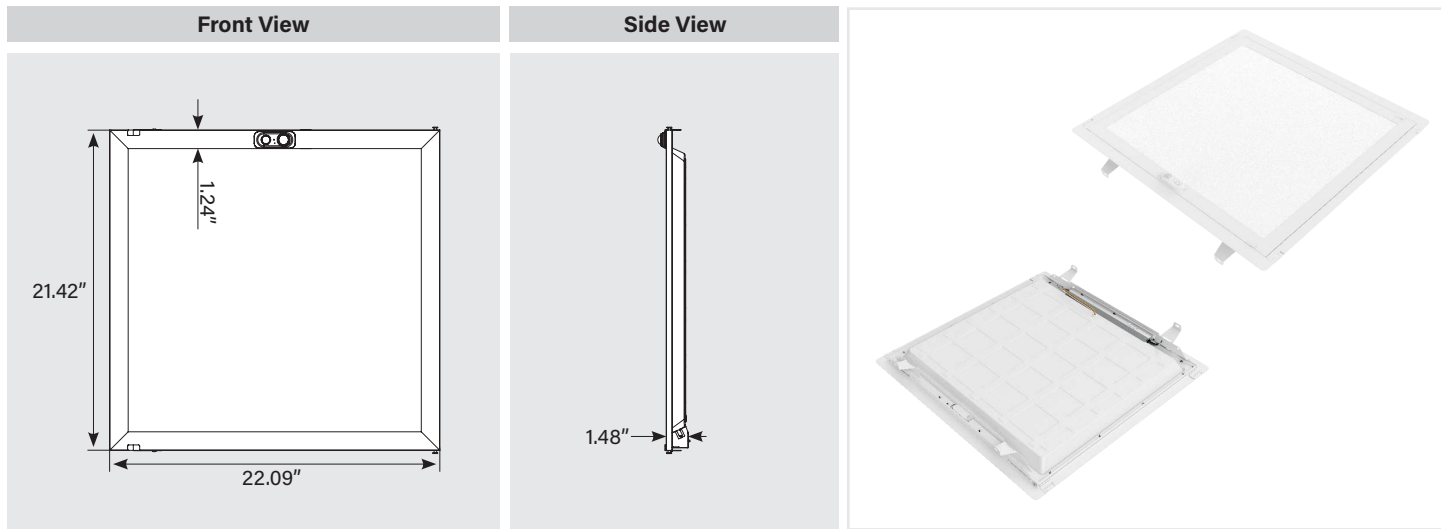


KT-RKITXXPS-XXPD-8CSA-VDIM /G2/FC5

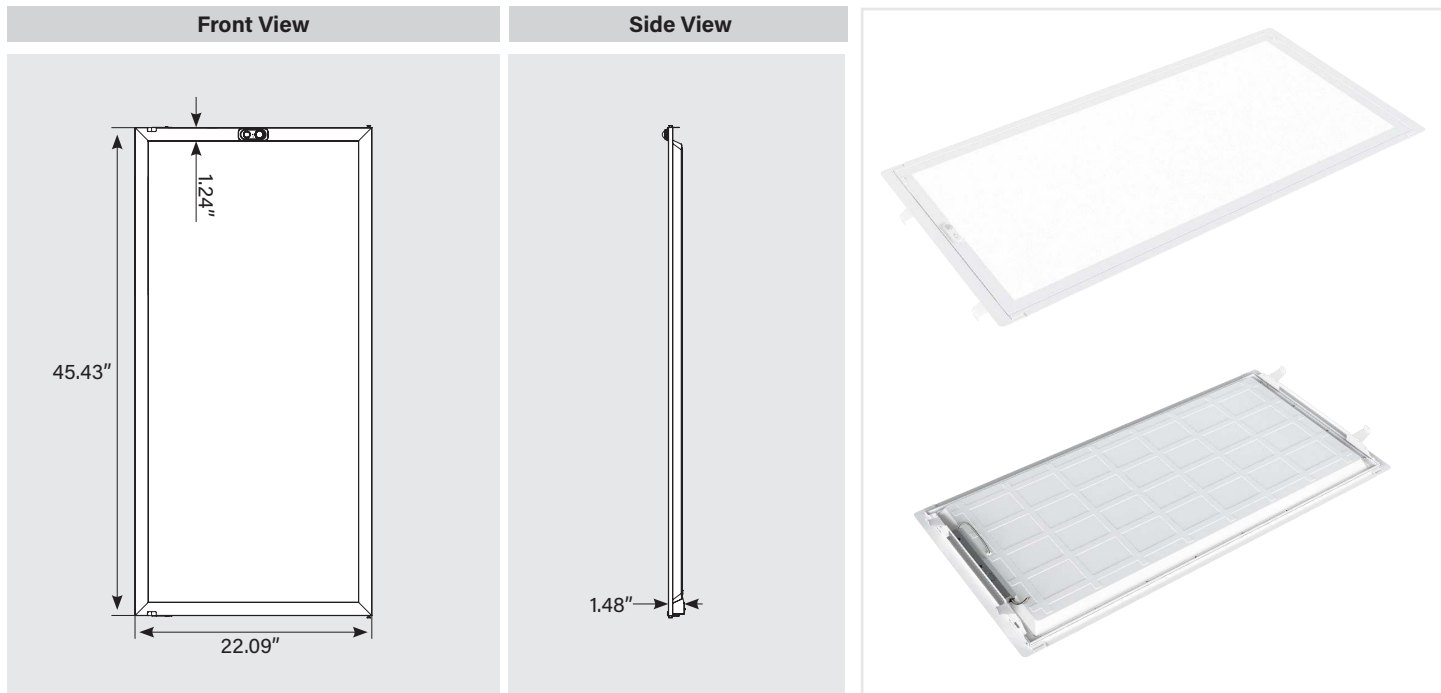
LED PANEL DOORFRAME RETROFIT KIT

PHYSICAL SPECIFICATIONS (CONTINUED)

KT-RKIT35PS-22PD-8CSA-VDIM /G2/FC5



KT-RKIT45PS-24PD-8CSA-VDIM /G2/FC5



WEIGHT SPECIFICATIONS

Catalog Number	1 Piece
KT-RKIT35PS-14PD-8CSA-VDIM /G2/FC5	8 lbs
KT-RKIT35PS-22PD-8CSA-VDIM /G2/FC5	8 lbs
KT-RKIT45PS-24PD-8CSA-VDIM /G2/FC5	16 lbs

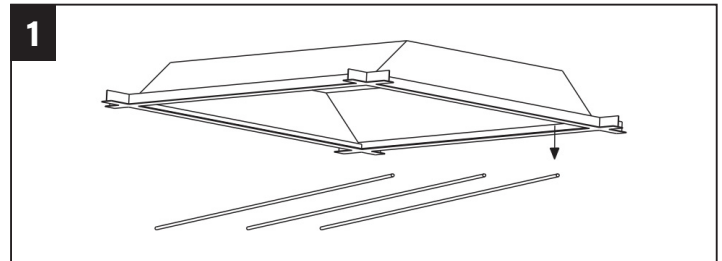
KT-RKITXXPS-XXPD-8CSA-VDIM /G2/FC5

LED PANEL DOORFRAME RETROFIT KIT

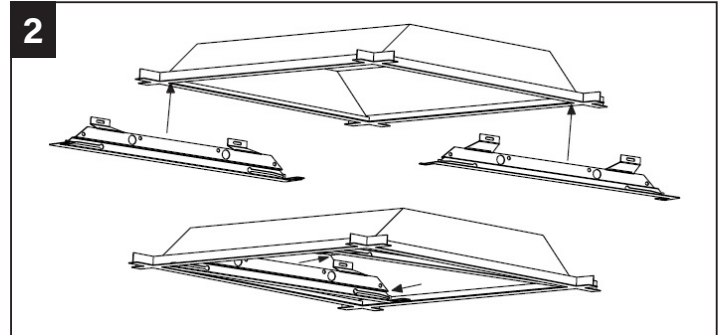
INSTALLATION INSTRUCTIONS

Always turn off the power supply from main circuit breaker first!

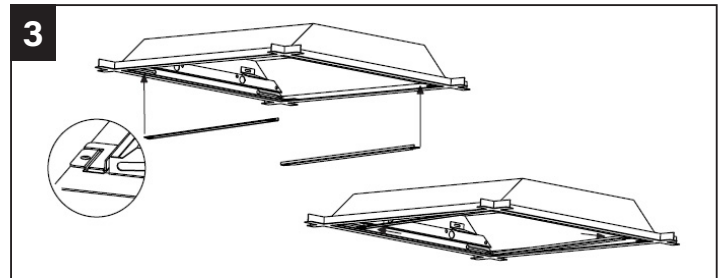
1. Dismantle accessories from the original housing (ballast, fluorescent tube, sockets, bracket and other accessories that may interfere the installation). Note: The original housing must be retained in place. Reserve the L&N wire of original housing to connect retrofit kit in later step. Plug previous holes from ballast with appropriate screws and nuts.



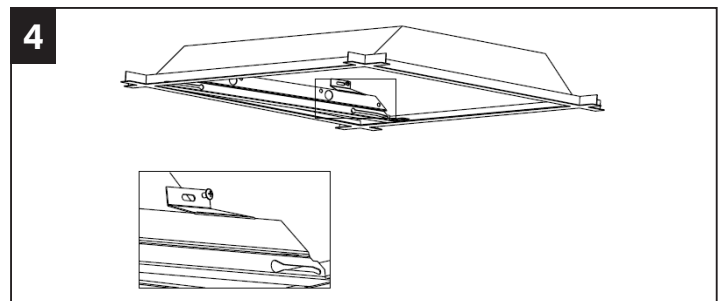
2. Insert the two brackets into the clearance between the housing and T-grid.



3. Insert the two side bars into the clearance between the brackets and the T-grid.



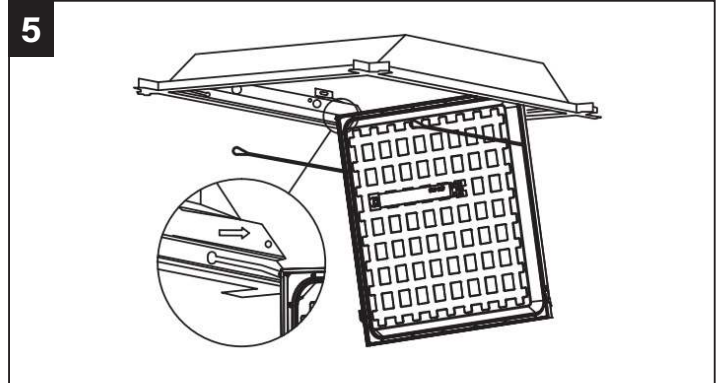
4. Using the included self-tapping screws, use electronic screwdriver to secure brackets into place through bracket mounting holes from inside of the fixture. Caution: Luminaire wiring and electrical parts may be damaged when drilling for installation of LED retrofit kit. Ensure that enclosed wiring and components have not been damaged.



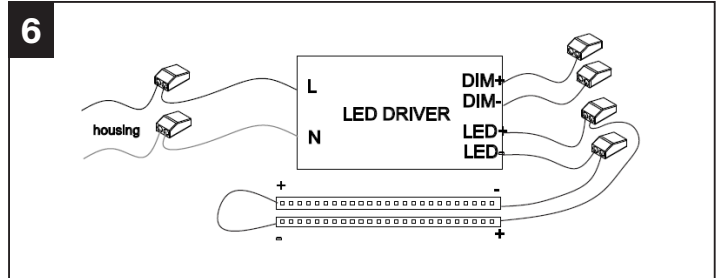
KT-RKITXXPS-XXPD-8CSA-VDIM /G2/FC5

LED PANEL DOORFRAME RETROFIT KIT

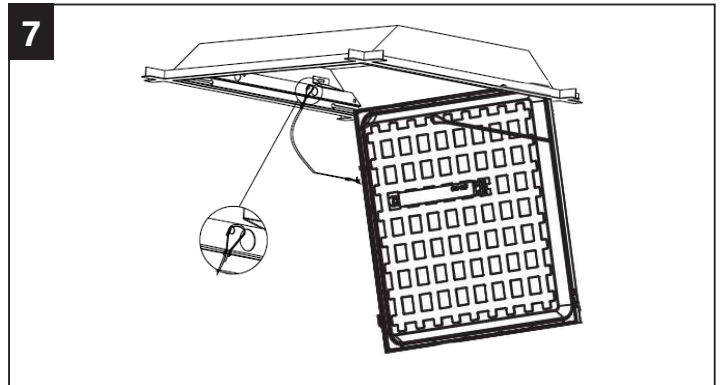
5. Embed the rotary screws on the edge of the panel into the bracket chutes. Push to the end in the direction of chutes to secure panel.



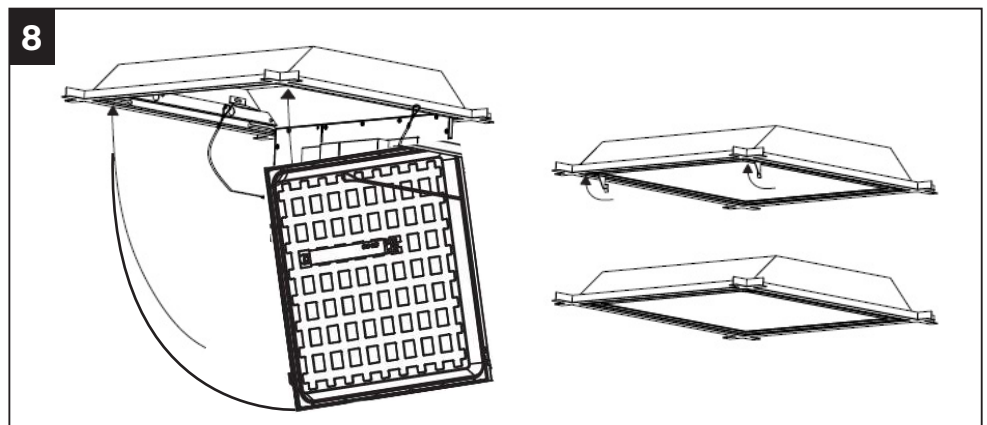
6. Connect L&N wire from original housing to the driver of the retrofit using appropriate connectors. If using 0-10V dimmer, connect DIM+,DIM- to 0-10V dimmer wires. Connect the green ground wire of the retrofit kit to the fixture with a wiring cap to ensure grounding safety.

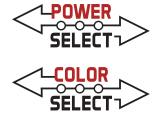


7. Attach clips from the retrofit kit to the brackets.



8. Close the retrofit kit door into the fixture and rotate the clips to secure the door closed.





KT-RKITXXPS-XXPD-8CSA-VDIM /G2/FC5

LED PANEL DOORFRAME RETROFIT KIT

COMPONENT SUMMARY

CATALOG NUMBER	QUANTITY
LED Module including - LED Driver/Power Supply and LED Array (Not Field Replaceable)	1
Mounting Bars	2
Mounting Brackets	2
Installation Instructions	1
Luminaire Marking Labels	1
Miscellaneous Hardware include 4 pcs M4.6*13 screws	1

ORDERING INFORMATION

CATALOG NUMBER	CARTON QTY.	UPC	EASY CODE	DLC PRODUCT ID
KT-RKIT35PS-14PD-8CSA-VDIM /G2/FC5	1	843654164298	MZF-39	S-T24JBD
KT-RKIT35PS-22PD-8CSA-VDIM /G2/FC5	1	843654164304	NIN-20	S-FVJ3D2
KT-RKIT45PS-24PD-8CSA-VDIM /G2/FC5	1	843654164311	PTV-35	S-CBZNTG
KT-RKIT35PS-14PD-8CSA-VDIM /G2/FC5 /2PK	2	843654171739	UWZ-34	S-T24JBD
KT-RKIT35PS-22PD-8CSA-VDIM /G2/FC5 /2PK	2	843654171746	EHM-30	S-FVJ3D2
KT-RKIT45PS-24PD-8CSA-VDIM /G2/FC5 /2PK	2	843654171753	QOY-79	S-CBZNTG

CATALOG NUMBER BREAKDOWN

KT-RKITXXPS-XXPD-8CSA-VDIM /G2/FC5 /XX

1
2
3
4
5
6
7
8
9
10
11
12
13
14

1 Keystone Technologies

2 Retrofit Kit

3 Wattage

4 Power Select

5 Nominal Size

6 Panel Doorframe

7 80 CRI

8 Color Select

9 Color Select Designation

10 0-10V Dimming

11 Generation 2

12 Fixture Controller

13 Design Style 5

14 Packaging Style

3 Wattage

35	35W/30W/20W
45	45W/35W/30W

5 Nominal Size

14	1x4'
22	2x2'
24	2x4'

9 Color Select Designation

A	3500K, 4000K, 5000K
----------	---------------------

14 XX

/2PK	2 Pack
-------------	--------