

KT-WDLED6.5-3XX-9CSF-FDIM

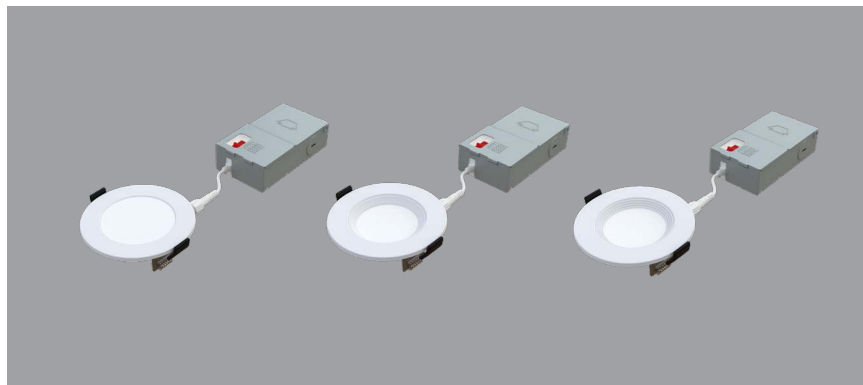
3" LED SLIM WAFER DOWNLIGHT

DESCRIPTION

3" LED Slim Wafer Downlight |
Color Select Technology |
Remote Driver with Built-in Junction Box

APPLICATION

Ideal for residential, hospitality, retail, office, and other retrofit and new construction applications



PRODUCT FEATURES

- Keystone Color Select technologies offers SKU reduction and allows for easy, on-the-job adjustments
- Utilizes a remote driver with built-in junction box and quick disconnect; Eliminates the need for a traditional, multi-piece fixture setup
- CEC Compliant Flicker Rate (CEC JA10 std.)
- Ideal for new construction, remodel, and retrofit applications
- Flat body allows fit for shallow ceilings
- Interchangeable trims available in matte black, brushed nickel, and bronze
- Powered by Keystone TRIAC dimming LED driver, 10–100% dimming
- Ambient operating temperature: –20°C/–4°F to 40°C/104°F
- Suitable for use in wet locations
- Airtight and Type IC-rated
- Power factor: >0.90
- THD: <20%
- LED chip lifetime: L70 >80,000 hrs @ 25°C/77°F ambient fixture temp
- FCC Part 15, Subpart B, Class B

PERFORMANCE SPECIFICATIONS

Catalog Number	Input Voltage	Wattage	CCT (Selectable)*	Lumen Output	Efficacy	CRI	Power Factor	Design Designation	Beam Angle	Lifetime
KT-WDLED6.5-3A-9CSF-FDIM	120V	6.5W	2700K	500	76 lm/W	>90	>0.9	Smooth	110°	50,000 hrs
			3000K	510	79 lm/W					
			3500K	525	81 lm/W					
			4000K	550	84 lm/W					
			5000K	530	82 lm/W					
KT-WDLED6.5-3B-9CSF-FDIM	120V	6.5W	2700K	500	76 lm/W	>90	>0.9	Recessed	110°	50,000 hrs
			3000K	510	79 lm/W					
			3500K	525	81 lm/W					
			4000K	550	84 lm/W					
			5000K	530	82 lm/W					
KT-WDLED6.5-3BB-9CSF-FDIM	120V	6.5W	2700K	500	76 lm/W	>90	>0.9	Baffled	110°	50,000 hrs
			3000K	510	79 lm/W					
			3500K	525	81 lm/W					
			4000K	550	84 lm/W					
			5000K	530	82 lm/W					

*Preset to 3000K

Color Uniformity: CCT (Correlated Color Temperature) range as per guidelines outlined in ANSI C78.377-2017

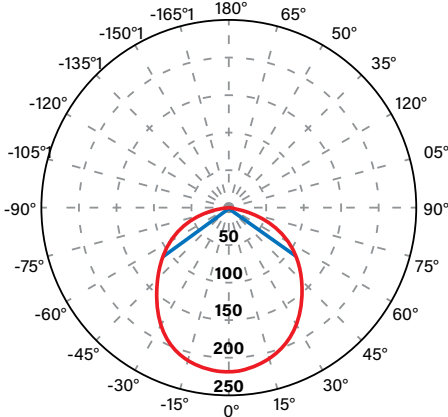
KT-WDLED6.5-3XX-9CSF-FDIM

3" LED SLIM WAFER DOWNLIGHT

PHOTOMETRIC SPECIFICATIONS

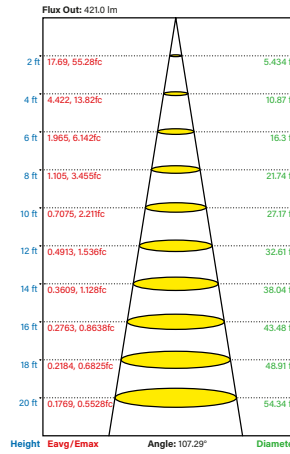
KT-WDLED6.5-3A-9CSF-FDIM

POLAR CANDELA DISTRIBUTION



Average diffuse angle (50%) : **107.3°** **1 Blue** C0-C180
Unit: **cd** **2 Red** C90-C270

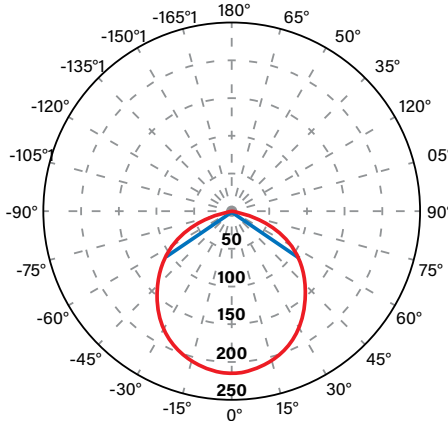
LUX DISTANCE CURVE



Note: Curves indicate the illuminated area and the average illumination when the luminaire is at a different distance

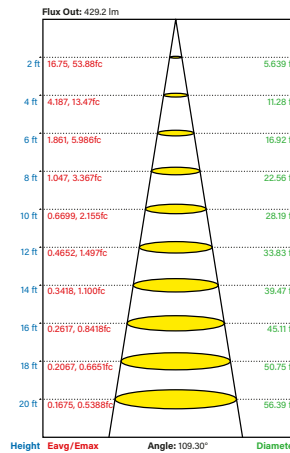
KT-WDLED6.5-3B-9CSF-FDIM

POLAR CANDELA DISTRIBUTION



Average diffuse angle (50%) : **107.3°** **1 Blue** C0-C180
Unit: **cd** **2 Red** C90-C270

LUX DISTANCE CURVE



Note: Curves indicate the illuminated area and the average illumination when the luminaire is at a different distance

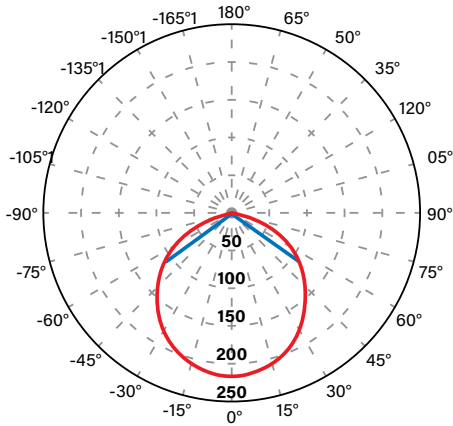
KT-WDLED6.5-3XX-9CSF-FDIM

3" LED SLIM WAFER DOWNLIGHT

PHOTOMETRIC SPECIFICATIONS

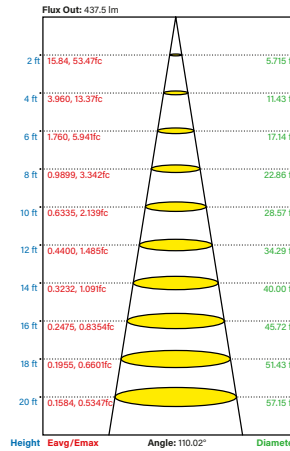
KT-WDLED6.5-3BB-9CSF-FDIM

POLAR CANDELA DISTRIBUTION



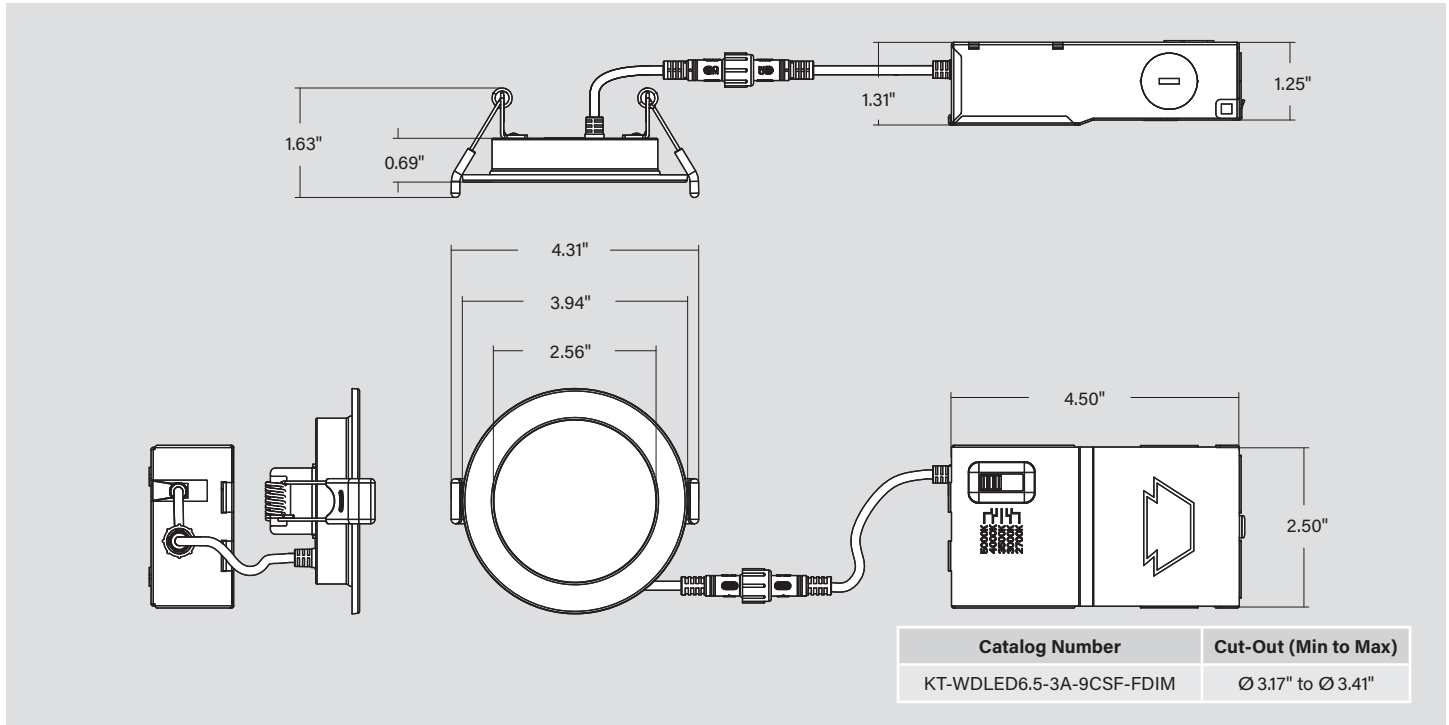
Average diffuse angle (50%) : **107.3°** **1 Blue** C0-C180
Unit: **cd** **2 Red** C90-C270

LUX DISTANCE CURVE



PHYSICAL SPECIFICATIONS

KT-WDLED6.5-3A-9CSF-FDIM (SMOOTH)

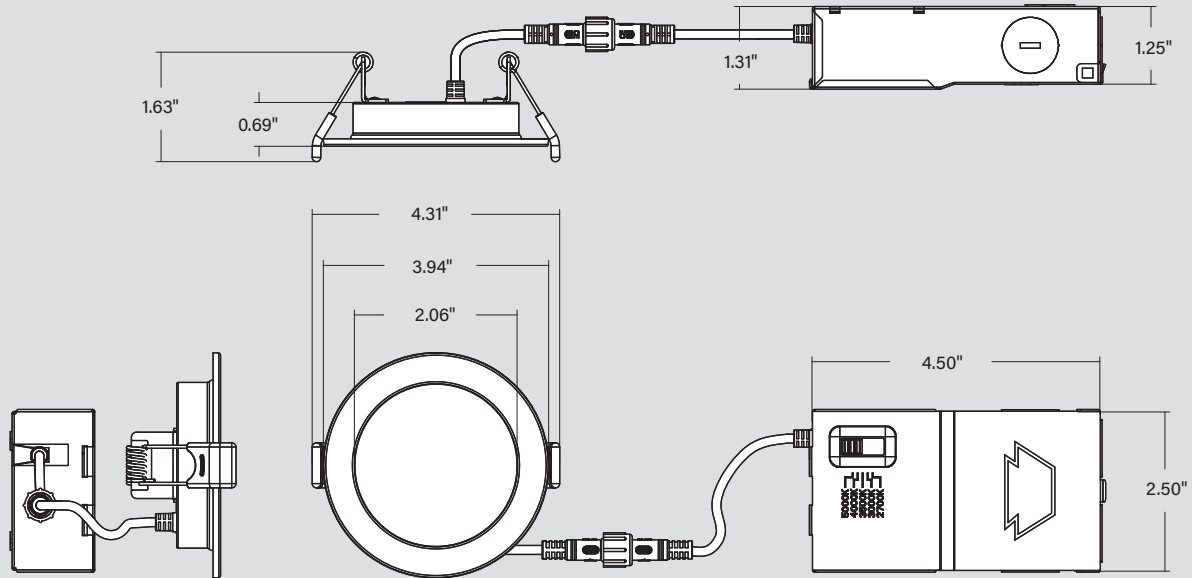


KT-WDLED6.5-3XX-9CSF-FDIM

3" LED SLIM WAFER DOWNLIGHT

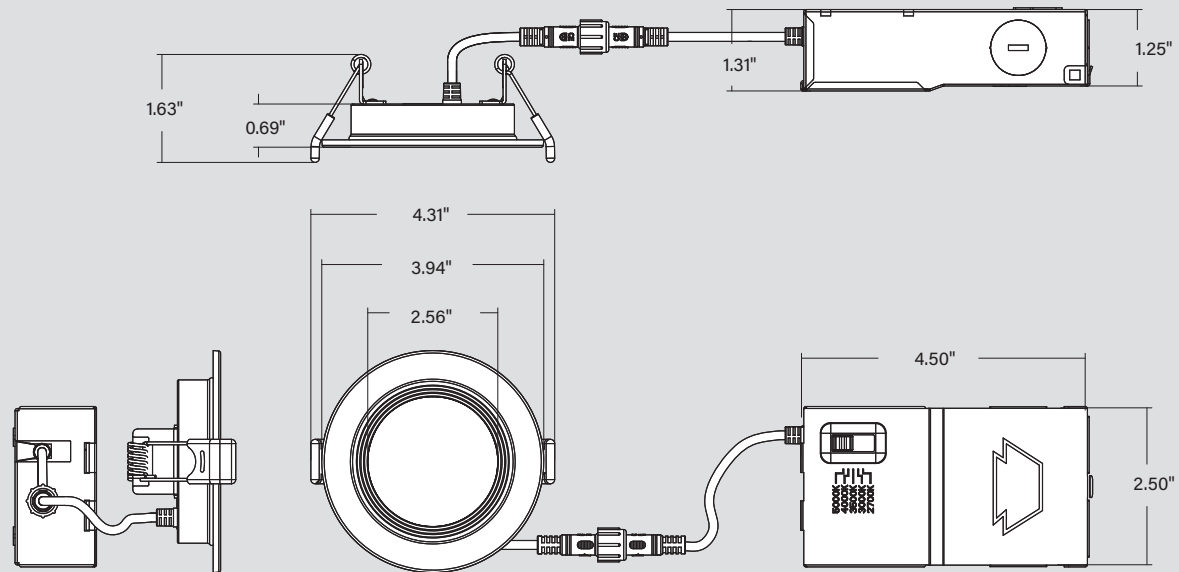
PHYSICAL SPECIFICATIONS

KT-WDLED6.5-3B-9CSF-FDIM (RECESSED)



Catalog Number	Cut-Out (Min to Max)
KT-WDLED6.5-3B-9CSF-FDIM	Ø 3.17" to Ø 3.41"

KT-WDLED6.5-3BB-9CSF-FDIM (BAFFLED)



Catalog Number	Cut-Out (Min to Max)
KT-WDLED6.5-3A-9CSF-FDIM	Ø 3.17" to Ø 3.41"

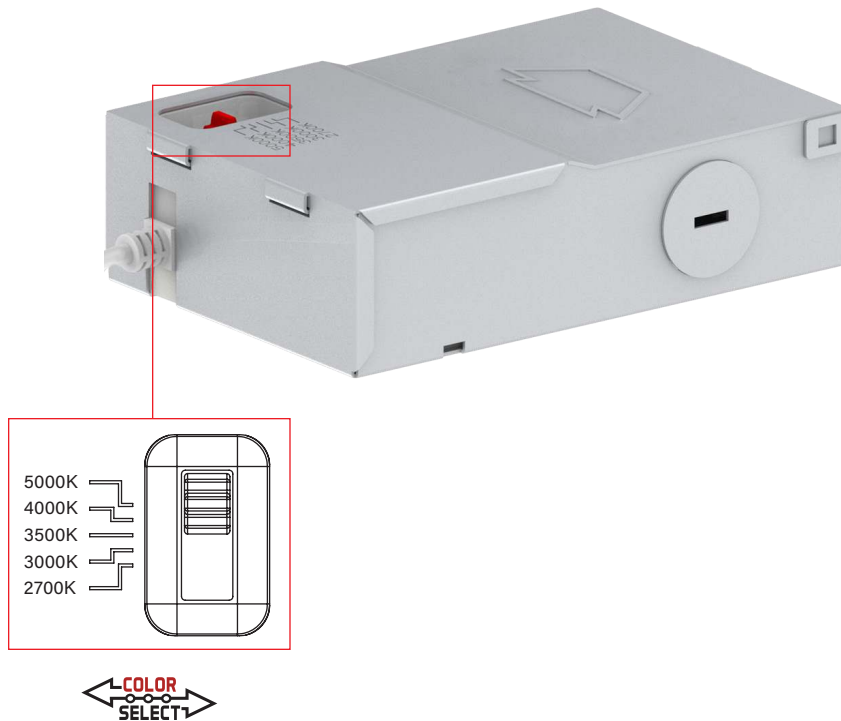
KT-WDLED6.5-3XX-9CSF-FDIM

3" LED SLIM WAFER DOWNLIGHT

COLOR SELECT (CCT) ADJUSTMENT

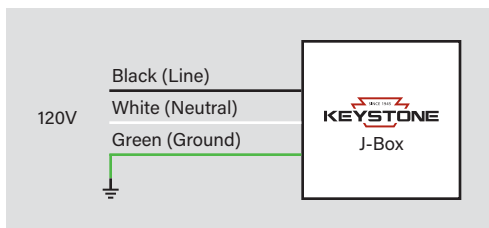
This fixture is equipped with field-adjustable Keystone Color Select technology.

1. Ensure power is off to the fixture.
2. Adjust dip switch to desired setting.



COLOR SELECT ADJUSTMENT SWITCH
Set dip switch to adjust CCT between 2700K, 3000K, 3500K, 4000K, and 5000K. Fixture comes preset at 3000K.

WIRING DIAGRAM



KT-WDLED6.5-3XX-9CSF-FDIM

3" LED SLIM WAFER DOWNLIGHT

INSTALLATION INSTRUCTIONS

RETROFIT INSTALLATION

- 1. Shut off power at the source of the fixture housing into which you are installing fixture.**

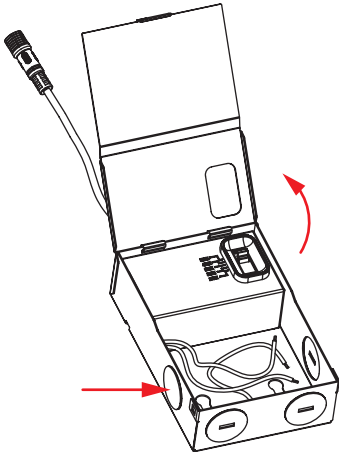
Remove existing trim, CFL or incandescent bulb.

Note: Follow all federal and local regulations when disposing of lamps and removed components.

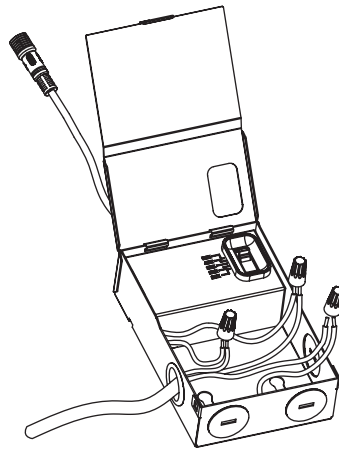
- 2. Measure ceiling opening to ensure that the edge of the luminaire will cover the entire opening and still sit firmly in the ceiling (see *Dimensions* on page 2).**

- 3. Select desired CCT using adjustment switch on fixture (see *Color Select (CCT) Adjustment* on page 3).**

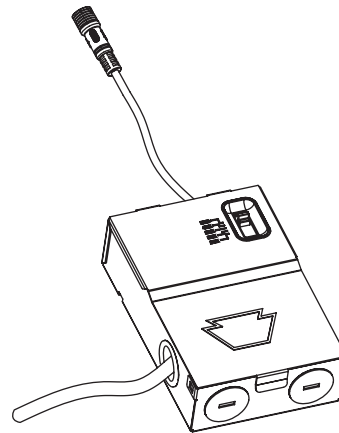
- 4. Open the driver box and remove the knockout(s) (KO).**



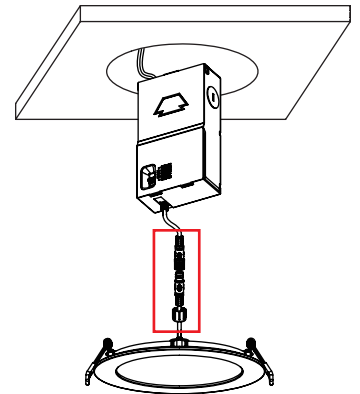
- 5. Insert the electrical supply cable through the KO; use appropriate bushing to prevent wire abrasion. Wire driver box (see *Wiring Diagram* on page 3 and illustration below).***



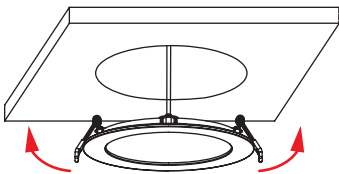
- 6. Place all wiring and connections back into the box and close the cover.**



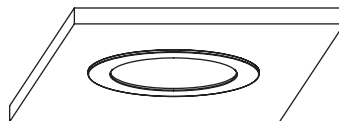
- 7. Insert driver box into ceiling in accordance with local/national codes and connect the male and female connectors. Screw threaded nut over connectors to secure.**



- 8. Lifting both retention tabs upward, push the fixture into the hole until trim sits flush with ceiling.**



- 9. Restore power when ready.**



* Keystone offers an optional cable accessory to assist with wiring to existing fixture J-box. See KT-MC-NP-1-18/3, Optional Accessories (sold separately) on page 6.

(Installation Instructions continued on next page)

KT-WDLED6.5-3XX-9CSF-FDIM

3" LED SLIM WAFER DOWNLIGHT

INSTALLATION INSTRUCTIONS (continued)

NEW-CONSTRUCTION INSTALLATION*

1. Shut off power at the source of the fixture housing into which you are installing fixture.

2. Using installation hole template, create ceiling opening to ensure that the edge of the luminaire will cover the entire opening and still sit firmly in the ceiling (see *Dimensions* on page 2).

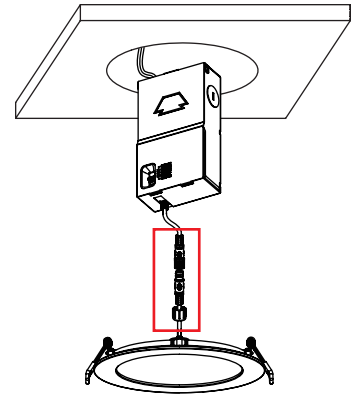
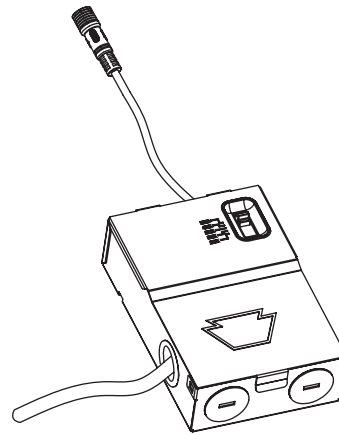
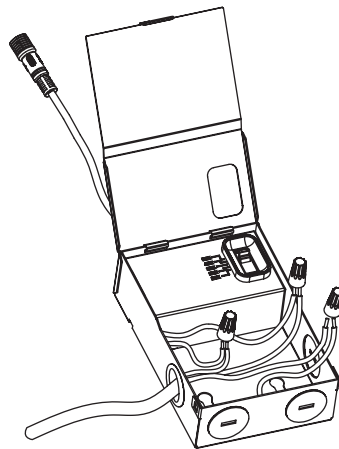
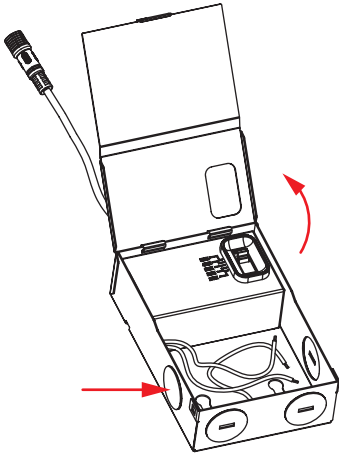
3. Select desired CCT using adjustment switch on fixture (see *Color Select (CCT) Adjustment* on page 3).

4. Open the driver box and remove the knockout(s) (KO).

5. Insert the electrical supply cable through the KO; use appropriate bushing to prevent wire abrasion. Wire driver box (see *Wiring Diagram* on page 3 and illustration below).*

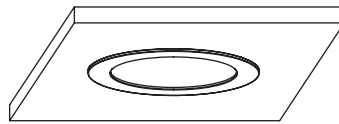
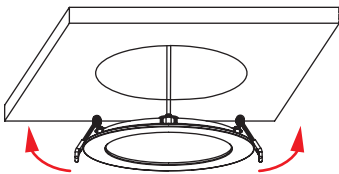
6. Place all wiring and connections back into the box and close the cover.

7. Insert driver box into ceiling in accordance with local/national codes and connect the male and female connectors. Screw threaded nut over connectors to secure.



8. Lifting both retention tabs upward, push the fixture into the hole until trim sits flush with ceiling.

9. Restore power when ready.



* Keystone offers an optional cable accessory to assist with wiring to existing fixture J-box. See KT-MC-NP-1-18/3, Optional Accessories (sold separately) on page 6.

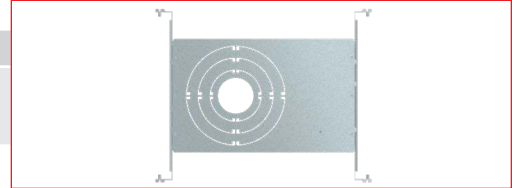
KT-WDLED6.5-3XX-9CSF-FDIM

3" LED SLIM WAFER DOWNLIGHT

OPTIONAL ACCESSORIES (sold separately)

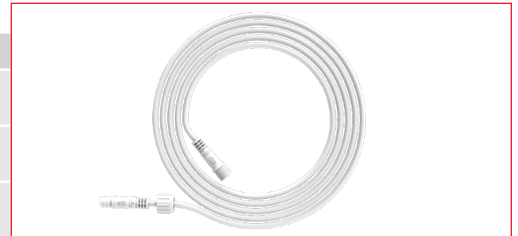
NEW-CONSTRUCTION PLATE

Catalog Number	Description	UPC	Easy Code
KT-WDLED-PLATE-2	New Construction Mounting Plate for all A and B LED Wafer Downlights for joist and T-grid installations	843654139791	FZT-71



EXTENSION CABLES

Catalog Number	Description	UPC	Easy Code
KT-WDLED-EC-6	6' Extension Cord for LED Wafer Downlights	843654139739	GOK-14
KT-WDLED-EC-12	12' Extension Cord for LED Wafer Downlights	843654139746	ECE-88
KT-WDLED-EC-20	20' Extension Cord for LED Wafer Downlights	843654139753	JLM-06



METAL-CLAD CABLE

Catalog Number	Description	UPC	Easy Code
KT-MC-NP-1-18/3	Metal-Clad Cable for LED Recessed Downlights; No plug; UL 16AWG 18/3 wire (live, neutral, ground)	843654139777	AYT-71



EMERGENCY PACK

Catalog Number	Description	UPC	Easy Code
KT-EMRG-LED-5-500-AC /DF	LED Emergency Backup, 5W - 500 Lumen Constant Power Design. 120-277V Input. Dual Flex Cable Design. Installs on Primary Side of AC Powered LED load.	843654120843	DUE-53





KT-WDLED6.5-3XX-9CSF-FDIM

3" LED SLIM WAFER DOWNLIGHT

ORDERING INFORMATION

Catalog Number	Pack Qty.	UPC	Easy Code
KT-WDLED6.5-3A-9CSF-FDIM	1	843654168210	HSC-34
KT-WDLED6.5-3B-9CSF-FDIM	1	843654168227	BES-31
KT-WDLED6.5-3BB-9CSF-FDIM	1	843654169132	END-63

CATALOG NUMBER BREAKDOWN

KT-WDLED6.5-3XX-9CSF-FDIM

1	2	3	4	5	6	7	8	9	10													
<p>1 Keystone Technologies</p> <p>2 Fixture Type</p> <p>3 LED Technology</p> <p>4 Maximum Wattage</p> <p>5 Size</p> <p>6 Style/Design Designation</p> <p>7 CRI</p> <p>8 Color Select Technology</p> <p>9 Color Select Designation</p> <p>10 Dimming</p>	<p>2 Fixture Type</p> <table border="1" style="width: 100%; border-collapse: collapse;"> <tr> <td style="width: 20%; text-align: center;">WD</td> <td style="text-align: left;">Wafer Downlight</td> </tr> </table>	WD	Wafer Downlight	<p>5 Size</p> <table border="1" style="width: 100%; border-collapse: collapse;"> <tr> <td style="width: 20%; text-align: center;">3</td> <td style="text-align: left;">3" Nominal</td> </tr> </table>	3	3" Nominal	<p>6 Style/Design Designation</p> <table border="1" style="width: 100%; border-collapse: collapse;"> <tr> <td style="width: 20%; text-align: center;">A</td> <td style="text-align: left;">Smooth</td> </tr> <tr> <td style="text-align: center;">B</td> <td style="text-align: left;">Recessed</td> </tr> <tr> <td style="text-align: center;">BB</td> <td style="text-align: left;">Baffled</td> </tr> </table>	A	Smooth	B	Recessed	BB	Baffled	<p>7 CRI</p> <table border="1" style="width: 100%; border-collapse: collapse;"> <tr> <td style="width: 20%; text-align: center;">9</td> <td style="text-align: left;">90</td> </tr> </table>	9	90	<p>9 Color Select Designation</p> <table border="1" style="width: 100%; border-collapse: collapse;"> <tr> <td style="width: 20%; text-align: center;">F</td> <td style="text-align: left;">2700K, 3000K, 3500K, 4000K, 5000K</td> </tr> </table>	F	2700K, 3000K, 3500K, 4000K, 5000K	<p>10 Dimming</p> <table border="1" style="width: 100%; border-collapse: collapse;"> <tr> <td style="width: 20%; text-align: center;">FDIM</td> <td style="text-align: left;">Phase Dimming</td> </tr> </table>	FDIM	Phase Dimming
WD	Wafer Downlight																					
3	3" Nominal																					
A	Smooth																					
B	Recessed																					
BB	Baffled																					
9	90																					
F	2700K, 3000K, 3500K, 4000K, 5000K																					
FDIM	Phase Dimming																					