



KT-WPLED20-S1-8CSB-VDIM

SMALL 20W NON-CUTOFF LED WALL PACK

DESCRIPTION

Small 20W Non-Cutoff LED Wall Pack | 120–277V Input | 3000–5000K | Low Profile Bronze Housing | Impact Resistant Lens

APPLICATION

Building Mount for exterior illumination (entryways, pathways, stairwells, security, and other general site lighting requirements)



PRODUCT FEATURES

- Small non-cutoff design can be mounted virtually anywhere, offering uniform vertical and horizontal distribution pattern for general safety and security illumination needs
- Heavy-duty die-cast aluminum housing features modern aesthetics and includes (3) available 1/2" threaded conduit hubs, (1) on back and (1) on each side
- Powered by Keystone 0–10V dimming LED drivers
- Keystone Color Select Technology: Adjustable CCT (3000K, 4000K, or 5000K)
- Built-in dusk-to-dawn photocell behind translucent 1/2" threaded plug with anti-yellowing agent
- ADA Compliant with low-profile housing less than 4" deep
- Impact-resistant and highly diffused polycarbonate lens with anti-yellowing agent offers reduced glare for low mounting height applications
- Ambient operating temperature: –40°C/–40°F to 50°C/122°F
- UL listed for wet locations, IP65
- 0–10V dimming, 10% min
- Power Factor: >0.95
- THD: <20%
- LED chip lifetime: L70 >100,000 hrs @ 25°C/77°F ambient fixture temp
- Meets FCC Part 15, Part B, Class A standards for conducted and radiated emissions
- Fixture impact rating IK07

ELECTRICAL SPECIFICATIONS

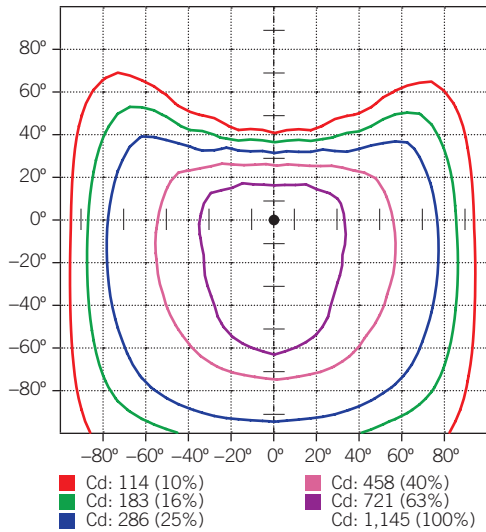
Catalog Number	Wattage	Lumens	Lumens Below 90°	Dimming	CCT*	Efficacy	CRI	Housing Color	Input Voltage	Rated Life	Legacy Equivalent
KT-WPLED20-S1-8CSB-VDIM	20W	2600 lm	2340 lm	0–10V	3000K	130 lm/W	>80	Bronze	120–277V	50,000 hrs	50–70W MH
		2700 lm	2430 lm		4000K	135 lm/W					
		2500 lm	2330 lm		5000K	125 lm/W					

* Color Uniformity: CCT (Correlated Color Temperature) range as per guidelines outlined in ANSI C78.377-2017

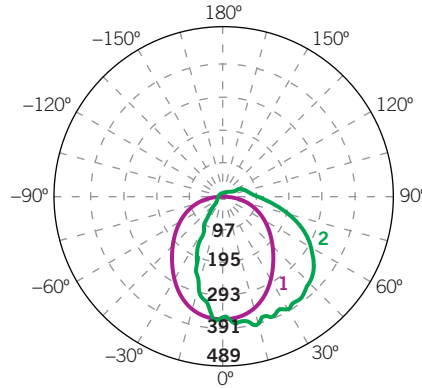
KT-WPLED20-S1-8CSB-VDIM
SMALL 20W NON-CUTOFF LED WALL PACK

PHOTOMETRIC SPECIFICATIONS

ISOCANDELA PLOT



LUMINOUS INTENSITY DISTRIBUTION



Average diffuse angle (50%): **100°**
1 Violet C0-C180
2 Green C90-C270
 Unit: cd

FLUX DISTRIBUTION

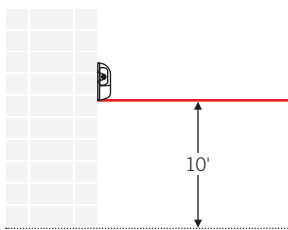
Zone	Lumens	% Luminaire
Forward Light	1,653 lm	64.0%
0°-30°	379 lm	14.7%
30°-60°	758 lm	29.4%
60°-80°	400 lm	15.5%
80°-90°	116 lm	4.5%
Back Light	667 lm	25.8%
0°-30°	264 lm	10.2%
30°-60°	283 lm	11.0%
60°-80°	97 lm	3.8%
80°-90°	23 lm	0.9%
Up Light	261 lm	10.1%
90°-100°	92 lm	3.5%
100°-180°	170 lm	6.6%

BUG* Rating	
Asymmetrical Luminaire Types	
Type I, II, III, IV	B1 U3 G1
Quadrilateral Symmetrical Luminaire Types	
Type V, Area Light	B1 U3 G1

* Backlight, Uplight, Glare

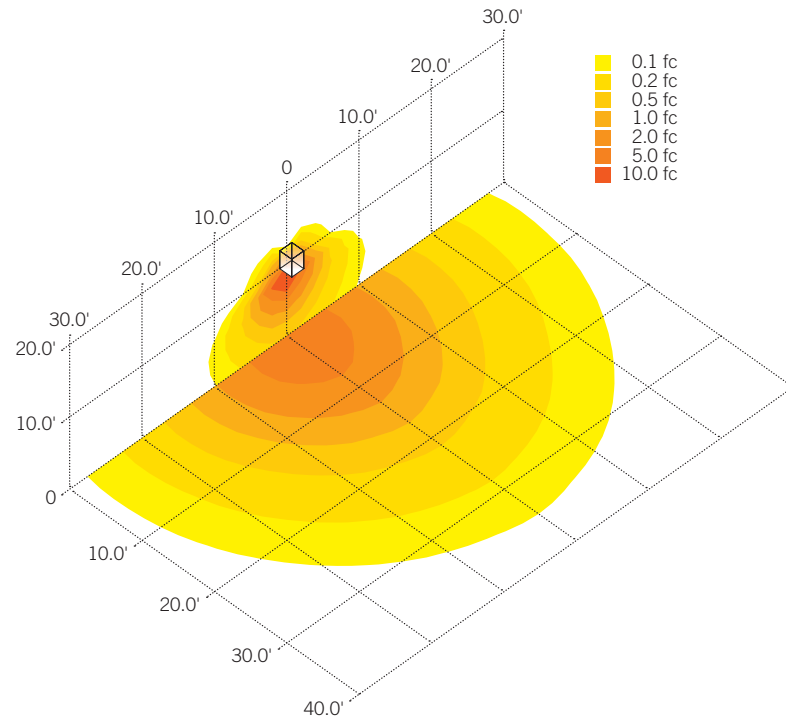
MOUNTING

Side view



LIGHT DISTRIBUTION PATTERN

Isometric view from above; Luminaire mounted at 10'

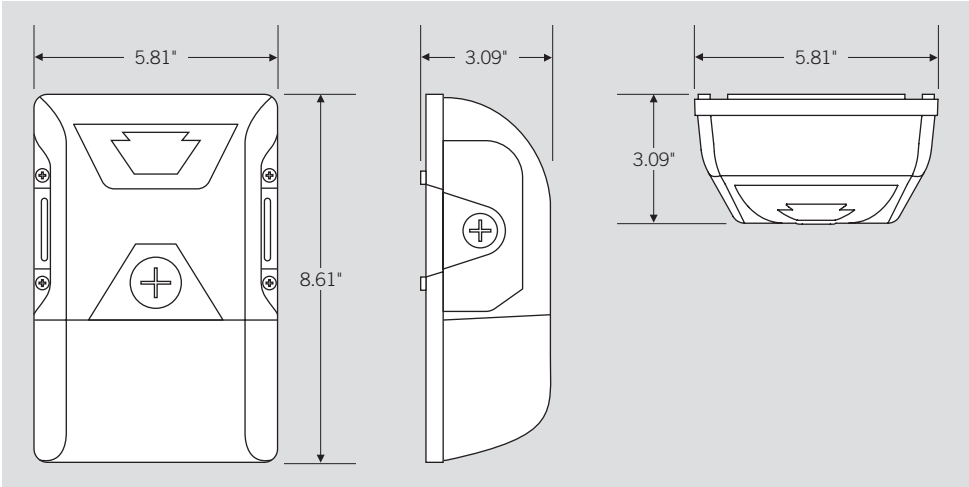




XFIT | SMALL LOW PROFILE WALL PACK FIXTURES

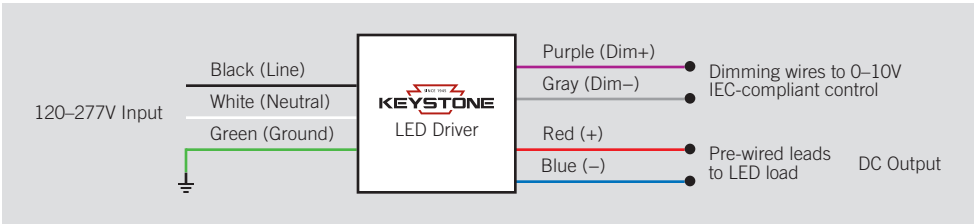
KT-WPLED20-S1-8CSB-VDIM SMALL 20W NON-CUTOFF LED WALL PACK

PHYSICAL SPECIFICATIONS



GENERAL SETUP INSTRUCTIONS

GENERAL WIRING DIAGRAM



Caution: Before installing, make certain that AC power to the fixture is off.

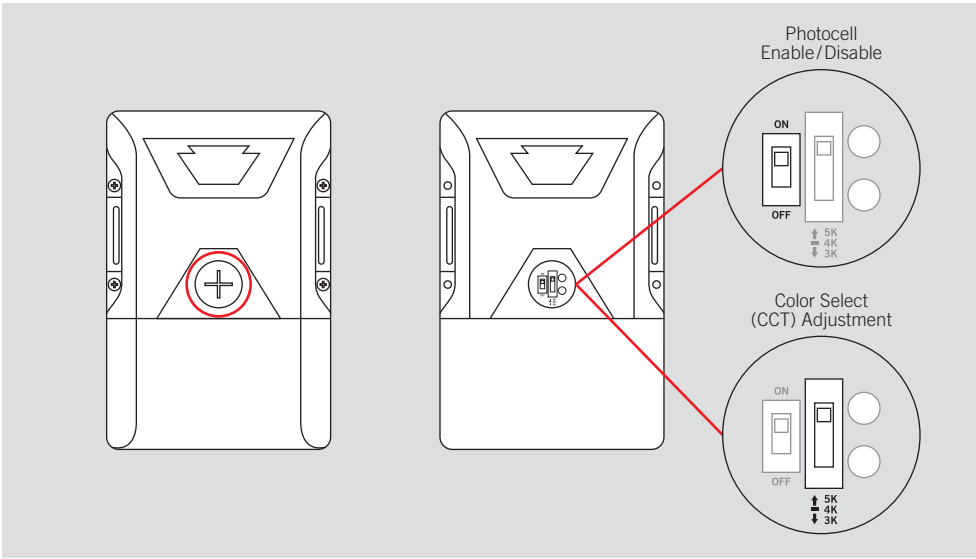
Caution: The electrical rating of this product is 120–277V. Installer must confirm that there is 120–277V at the fixture before installation.

PHOTOCELL ENABLE/DISABLE

This fixture is equipped with a dusk-to-dawn photocell behind the translucent knock-out (KO) cover. Adjust the dip switch to enable (ON) or disable (OFF) the photocell function (see illustrations to the right). Fixture comes preset with photocell enabled unless otherwise noted.

COLOR SELECT (CCT) ADJUSTMENT

Certain fixture models are equipped with Color Select technology. There is an adjustable dip switch behind the translucent knock-out (KO) cover to change CCT between 5000K, 4000K, and 3000K (see illustrations to the right). Fixture comes preset at 5000K unless otherwise noted.





KT-WPLED20-S1-8CSB-VDIM

SMALL 20W NON-CUTOFF LED WALL PACK

ACCESSORY (SOLD SEPARATELY)

Catalog Number	Description
KTSP-10KV-C	Wall Pack 10kV Surge Protector, Compact Design

ORDERING INFORMATION

CATALOG NUMBER	PACK QTY.	EASY CODE	UPC
KT-WPLED20-S1-8CSB-VDIM	1	XWA-37	843654129112

CATALOG NUMBER BREAKDOWN

KT-WPLED20-S1-8CSB-VDIM

1	2	3	4	5	6	7	8	9	10	11	12																																												
1 Keystone Technologies	2 Fixture Type	3 LED Lamp	4 Max Wattage	5 Size	6 Style	7 CRI	8 Color	9 Color Select Designation	10 0-10V Dimming	11 Housing Color	12 Sensor Options																																												
	<table border="1"> <tr><td>F</td><td>Flood</td></tr> <tr><td>WP</td><td>Wallpack</td></tr> </table>	F	Flood	WP	Wallpack			<table border="1"> <tr><td>S</td><td>Small</td></tr> <tr><td>M</td><td>Medium</td></tr> <tr><td>L</td><td>Large</td></tr> </table>	S	Small	M	Medium	L	Large	<table border="1"> <tr><td>1</td><td>Non-Cutoff</td></tr> <tr><td>2</td><td>Full-Cutoff</td></tr> </table>	1	Non-Cutoff	2	Full-Cutoff	<table border="1"> <tr><td>8</td><td>>80</td></tr> <tr><td>9</td><td>>90</td></tr> </table>	8	>80	9	>90	<table border="1"> <tr><td>40</td><td>4000K</td></tr> <tr><td>50</td><td>5000K</td></tr> <tr><td>CS</td><td>Color Select</td></tr> </table>	40	4000K	50	5000K	CS	Color Select	<table border="1"> <tr><td>A</td><td>3500K, 4000K, 5000K</td></tr> <tr><td>B</td><td>3000K, 4000K, 5000K</td></tr> <tr><td>C</td><td>3000K, 3500K, 4000K, 5000K</td></tr> <tr><td>D</td><td>TBD</td></tr> </table>	A	3500K, 4000K, 5000K	B	3000K, 4000K, 5000K	C	3000K, 3500K, 4000K, 5000K	D	TBD	<table border="1"> <tr><td>VDIM</td><td>0-10V</td></tr> </table>	VDIM	0-10V	<table border="1"> <tr><td></td><td>Bronze</td></tr> <tr><td>B</td><td>Black</td></tr> <tr><td>W</td><td>White</td></tr> </table>		Bronze	B	Black	W	White	<table border="1"> <tr><td></td><td>No option</td></tr> <tr><td>/MW</td><td>Microwave occupancy Sensor Installed</td></tr> </table>		No option	/MW	Microwave occupancy Sensor Installed
F	Flood																																																						
WP	Wallpack																																																						
S	Small																																																						
M	Medium																																																						
L	Large																																																						
1	Non-Cutoff																																																						
2	Full-Cutoff																																																						
8	>80																																																						
9	>90																																																						
40	4000K																																																						
50	5000K																																																						
CS	Color Select																																																						
A	3500K, 4000K, 5000K																																																						
B	3000K, 4000K, 5000K																																																						
C	3000K, 3500K, 4000K, 5000K																																																						
D	TBD																																																						
VDIM	0-10V																																																						
	Bronze																																																						
B	Black																																																						
W	White																																																						
	No option																																																						
/MW	Microwave occupancy Sensor Installed																																																						