



KTSL-DMXC1-UV-WC

SMARTLOOP WIRELESS DMX CONTROLLER

DESCRIPTION

Bluetooth mesh wireless DMX controller for SmartLoop system

APPLICATION

Architectural Lighting, Landscape Lighting, Sign Lighting, Billboards



PRODUCT FEATURES

- Low Profile Wireless DMX Controller optimized for use with Various Keystone DMX controllable RGBW fixture solutions. Controlled via Keystone Smartloop platform. DMX 512 Output though proprietary waterproof connector
- Can control multiple fixtures up to rated max fixture loading of 6 Amps.
- Programmable Scenes and Sequences
- Slim housing designed for easy outdoor mounting
- Suitable for indoor or outdoor use
- Compatible with any lighting devices using DMX 512 communication protocol with 4 channel design (Connector adapter may be required)
- Commissioned via SmartLoop mobile app for iPhone and Android
- Controlled via SmartLoop mobile app, keypad, and sensors
- Utilizes Bluetooth mesh technology for reliable and secure wireless communication

DMX CHANNEL OUTPUTS

Channel 1	Red
Channel 2	Green
Channel 3	Blue
Channel 4	White

ELECTRICAL SPECIFICATIONS

Input Power	120 –277VAC, 50-60Hz
Standby Power	.5W
Max Pass Through Current	6 Amps (720W @120V, 1662W @277V)
RF Transmit Power	8dBm
Turn-on Delay Time	< 0.5s
Wireless Frequency	2.4GHz
Wireless Range (Open Air)	TBD
Wireless Protocol	Bluetooth 4.2

FUNCTIONALITY

Keystone Smartloop DMX controllers allow 4 channel RGBW lighting devices connected to the controller to be controlled wirelessly via Smartloop control platform. Features include ability to set desired color and intensity settings and easily group devices together. Additionally the system allows for easy creation of custom scenes and sequences, allowing the lighting devices to operated on a continuous playback loop featuring various user defined colors and intensities with adjustable hold and fade times.

Devices are commissioning and de-commissioned just like standard smartloop lighting controllers through the mobile app. See Smartloop user manual for full details. Additionally controllers feature a hard magnetic reset (hold strong magnet over the “magnetic reset” logo for 5 seconds to restore the controller to factory settings.

ENVIRONMENTAL SPECIFICATIONS

Operating Temperature	-30°C/-22°F to 60°C/140°F
Storage Temperature	-30°C/-22°F to 85°C/185°F
Humidity	0-100%
Lifetime Rating	50,000 hours
Moisture and Dust Rating	IP65

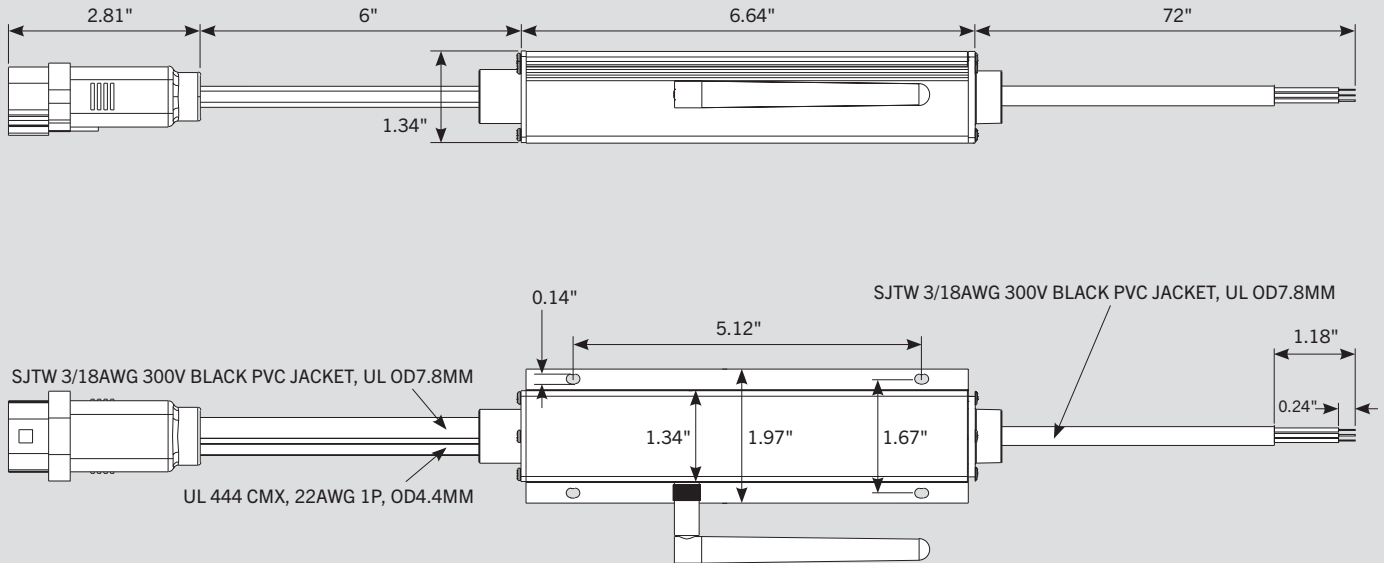
SAFETY AND EMC COMPLIANCE

UL/cUL	UL8750
FCC	47 CFR Part 15 KDB447498 D01 General RF Exposure Guidance v06

KTSL-DMXC1-UV-WC

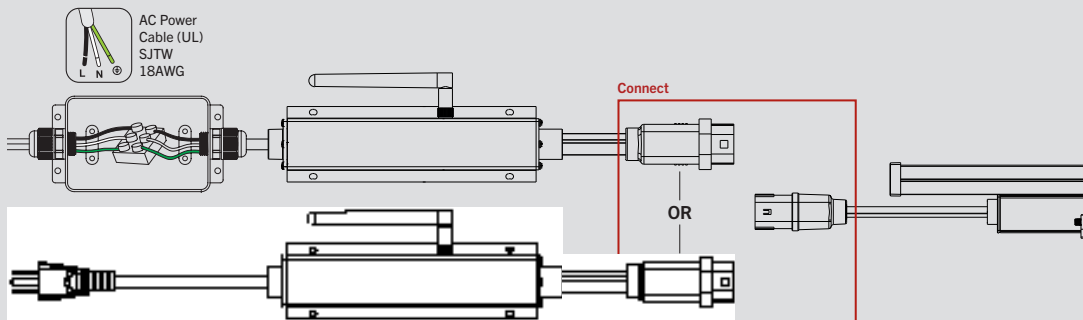
SMARTLOOP WIRELESS DMX CONTROLLER

PHYSICAL SPECIFICATIONS



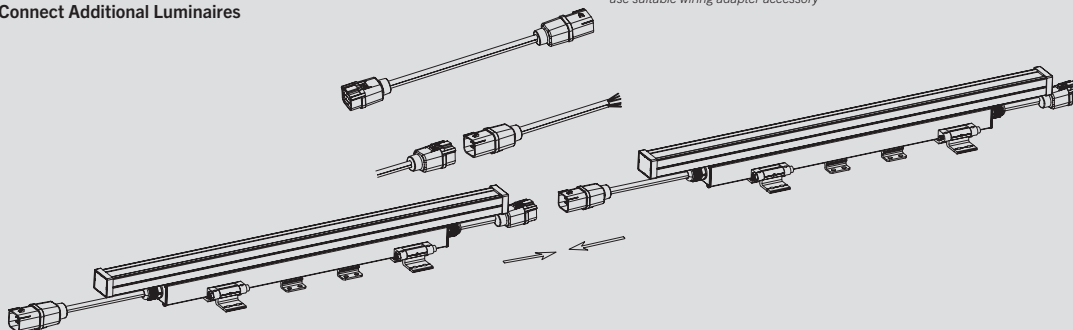
WIRING DIAGRAM

For use with various Keystone DMX controllable RGBW fixture solutions



Note: Connected lighting device/fixture needs to have proper mating connector or use suitable wiring adapter accessory

Connect Additional Luminaires



INPUT	
Black	Input Hot
White	Neutral
Green	Ground

OUTPUT	
Black	Output Hot
White	Neutral
Green	Ground
Orange	D+(A)
Orange/White	D-(B)
Black	Signal Common



KTSL-DMXC1-UV-WC

SMARTLOOP WIRELESS DMX CONTROLLER

ORDERING INFORMATION

ORDER CODE	PACK QTY.	UPC	EASY CODE
KTSL-DMXC1-UV-WC	1	843654152431	YFS-24

CATALOG NUMBER BREAKDOWN

KTSL-DMXC1-UV-WC

1

2

3

4

5

- 1 Keystone Technologies SmartLoop
- 2 DMX 512
- 3 Connector 1
- 4 120-277V
- 5 Waterproof Connector