



## KTSL-FC1-UV-KO-PIR

### LOAD CONTROLLER WITH REMOTE MOUNT SENSOR

#### DESCRIPTION

Bluetooth mesh wireless fixture controller for SmartLoop system, with remote mountable daylight and PIR motion sensor.

#### APPLICATION

Ideal for small to medium-size systems, such as schools, offices, auditoriums, and warehouses. Install on fixtures where nearby sensing is required.



#### PRODUCT FEATURES

- Use of a relay, 0–10V dimming, and a 1/2" knock-out enable compatibility with many standard industry fixtures
- Commissioned via SmartLoop mobile app for iPhone and Android
- Class 2 daylight and PIR motion sensor is remote mountable via 1" trade size knockout
- Controlled via SmartLoop mobile app, keypad, and sensors
- Features of Smart loop Mobile app- High End Trim, Vacancy, Occupancy, Daylight Harvesting, Scheduling, and Grouping
- Fixture controller and sensor connect via a convenient RJ-12 cable
- Utilizes Bluetooth mesh technology for reliable and secure wireless communication
- Intelligent relay control software reduces wear to extend relay life
- Power outage recovery defaults to automatic on state
- Indicator LED communicates device status
- UL2043 certified for plenum installations
- Lens cover accessory with breakaway tabs included for specialized reception pattern needs

#### ELECTRICAL SPECIFICATIONS

Input Power	120–277VAC, 50-60Hz
Standby Power	<1W
Max Load Current	3.0A
RF Transmit Power	8dBm
Sensor Wires	Class 2
Turn-on Delay Time	< 0.5s
Relay Turn-off Time	2s
Max 0–10V Sinking Current	10mA
Wireless Frequency	2.4GHz
Wireless Range (Open Air)	100ft
Wireless Protocol	Bluetooth v5.0
Sensor Detection Height	40' max
Sensor Detection Angle	120°
Daylight Harvesting Range	100-1000 lux



# KTSL-FC1-UV-KO-PIR

## LOAD CONTROLLER WITH REMOTE MOUNT SENSOR

### ENVIRONMENTAL SPECIFICATIONS

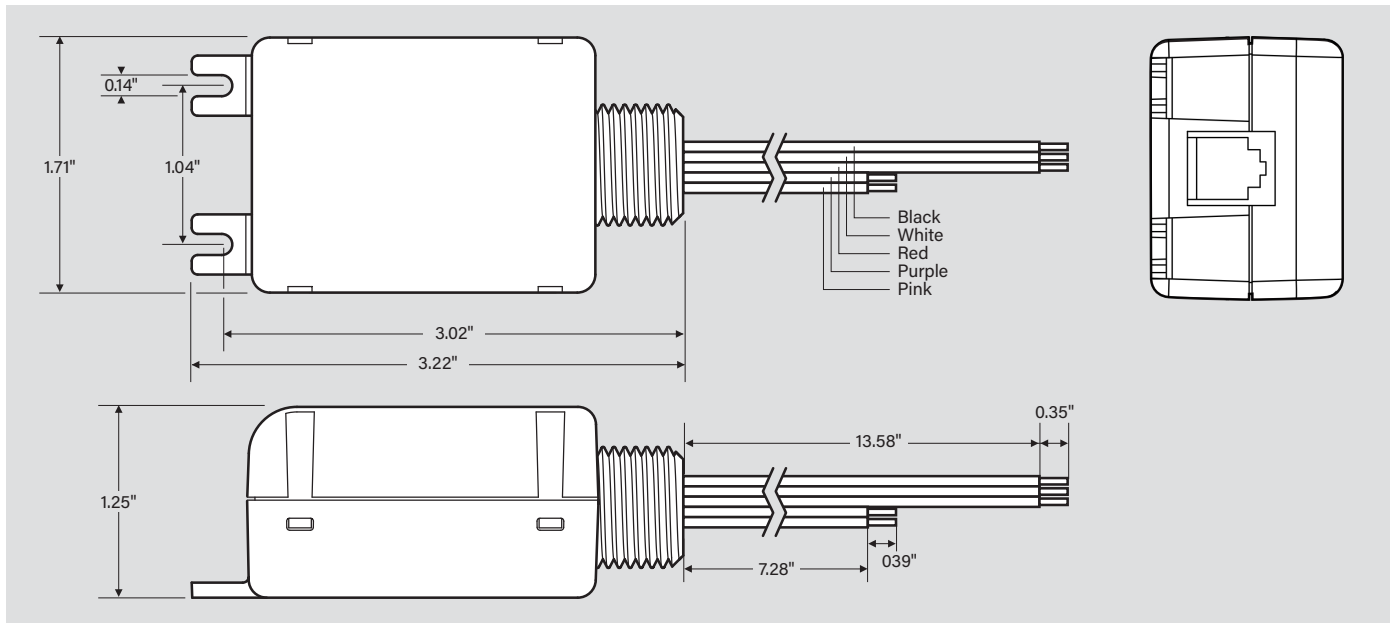
<b>Operating Temperature</b>	-40°C/-40°F to 45°C/113°F
<b>Storage Temperature</b>	-40°C/-40°F to 85°C/185°F
<b>Humidity</b>	5-90%
<b>Lifetime Rating</b>	50,000 hrs
<b>Moisture and Dust Rating</b>	IP20

### SAFETY AND EMC COMPLIANCE

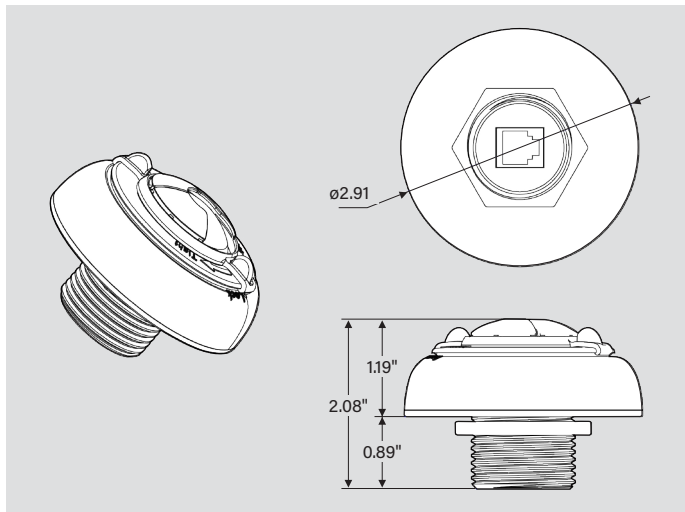
<b>UL/cUL</b>	UL8750, UL2043
<b>FCC</b>	Part 15.247

### PHYSICAL SPECIFICATIONS

#### FIXTURE CONTROLLER



#### SENSOR



#### SENSOR DIMENSIONS

<b>Mounting</b>	1" knockout
<b>Diameter</b>	$\phi 2.91$ "
<b>Height</b>	2.11"
<b>Weight</b>	2.1 oz.
<b>Case Material</b>	Plastic

#### FIXTURE CONTROLLER DIMENSIONS

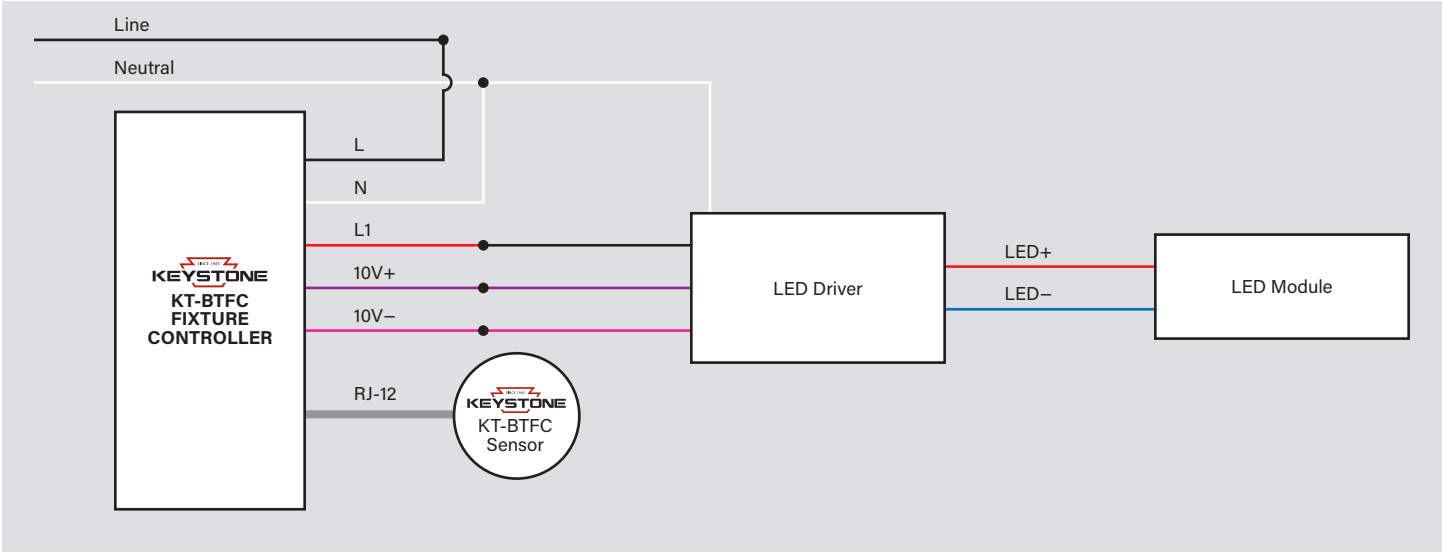
<b>Mounting</b>	1/2" knockout or screw tabs
<b>Length</b>	3.22"
<b>Width</b>	1.71"
<b>Height</b>	1.25"
<b>Tabs</b>	1.04"
<b>Weight</b>	3.0 oz.
<b>Case Material</b>	Plastic



# KTSL-FC1-UV-KO-PIR

## LOAD CONTROLLER WITH REMOTE MOUNT SENSOR

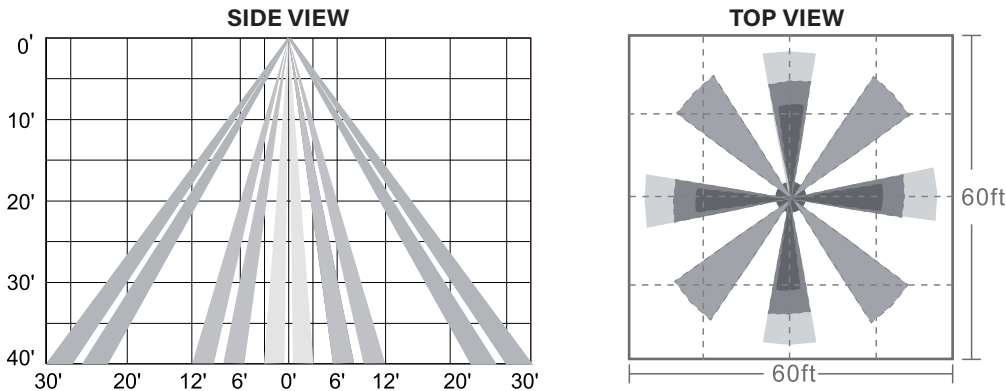
### WIRING DIAGRAM



### WIRE/CABLE SPECIFICATIONS

Name	Function	Color	Gauge	Type	Length	Strip Length
L	Input Hot	Black	18AWG	Solid	13.58"	0.35"
N	Neutral	White			13.58"	0.35"
L1	Switched Hot Out	Red			13.58"	0.35"
10V+	Dimming Level	Purple	22AWG	Stranded	7.28"	0.39"
10V-	Low Voltage Common	Pink			7.28"	0.39"
RJ-12	Sensor Control	Gray	6x 28AWG	Stranded	60"	N/A

### LENS COVERAGE





# KTSL-FC1-UV-KO-PIR

## LOAD CONTROLLER WITH REMOTE MOUNT SENSOR

### FACTORY RESET

If a controller is assigned to another region, it will not appear when searching for new fixtures. Perform the following power cycle sequence to factory reset the controller:

1. Power on for 1 second, then off for 10 seconds.
2. Power on for 1 second, then off for 10 seconds.
3. Power on for 1 second, then off for 10 seconds.
4. Power on for 10 seconds, then off for 10 seconds.
5. Power on for 10 seconds, then off for 10 seconds.
6. Turn the fixture back on. The device should now be decommissioned and ready to add to a region.

### ORDERING INFORMATION

ORDER CODE	PACK QTY.	EASY CODE	UPC
KTSL-FC1-UV-KO-PIR	80	MGZ-59	843654129259

### CATALOG NUMBER BREAKDOWN

# KTSL-FC1-UV-KO-PIR

1

2

3

4

5

6

**1** Keystone Technologies SmartLoop

**2** Fixture Controller

**3** Design Style 1

**4** Universal Voltage

**5** KnockOut Installation Style

**6** PIR Sensor Type