



KTSL-HBFC1-UV-KO-PIR /G2

BLUETOOTH WIRELESS FIXTURE CONTROLLER AND SENSOR

DESCRIPTION

Bluetooth mesh wireless fixture controller for SmartLoop system with integrated daylight and PIR motion sensors. For use on high bay fixtures.

APPLICATION

Ideal for small- to medium-size systems, such as auditoriums and warehouses



PRODUCT FEATURES

- Use of a relay, 0–10V dimming, and a 1/2" knock-out enable compatibility with many standard industry fixtures
- Commissioned via SmartLoop mobile app for iPhone and Android
- Controlled via SmartLoop mobile app, keypad, and sensors
- Integrated Daylight and PIR motion sensor
- Utilizes Bluetooth mesh technology for reliable and secure wireless communication
- Intelligent relay control software reduces wear to extend relay life
- Power outage recovery defaults to automatic on state
- Indicator LED communicates device status

ELECTRICAL SPECIFICATIONS

Input Power	120–277VAC, 50-60Hz
Standby Power	<1W
Max Load Current	6.0A (720W @ 120Vac, 1662W @ 277Vac)
RF Transmit Power	8dBm
Sensor Wires	Class 2
Max Motor Load	1/6hp
Turn-on Delay Time	< 0.5s
Relay Turn-off Time	2s
Max 0–10V Sinking Current	10mA
Wireless Frequency	2.4GHz
Wireless Range (Open Air)	100ft
Wireless Protocol	Bluetooth v5.0
Sensor Detection Height	40' max
Sensor Detection Angle	120°
Daylight Harvesting Range	30-2500 lux

KTSL-HBFC1-UV-KO-PIR /G2

BLUETOOTH WIRELESS FIXTURE CONTROLLER AND SENSOR

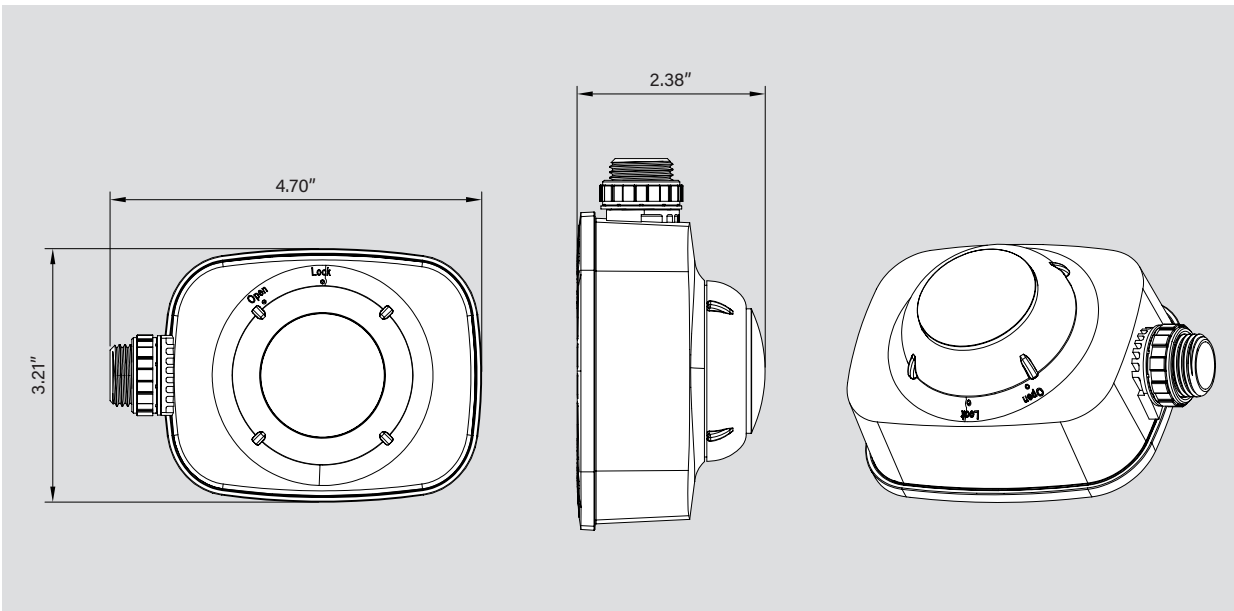
ENVIRONMENTAL SPECIFICATIONS

Operating Temperature	-40°C/-40°F to 70°C/158°F
Storage Temperature	-40°C/-40°F to 85°C/185°F
Humidity	5-90%
Lifetime Rating	50,000 hrs
Moisture and Dust Rating	IP40

SAFETY AND EMC COMPLIANCE

UL/cUL	UL8750
FCC	Part 15.247

PHYSICAL SPECIFICATIONS

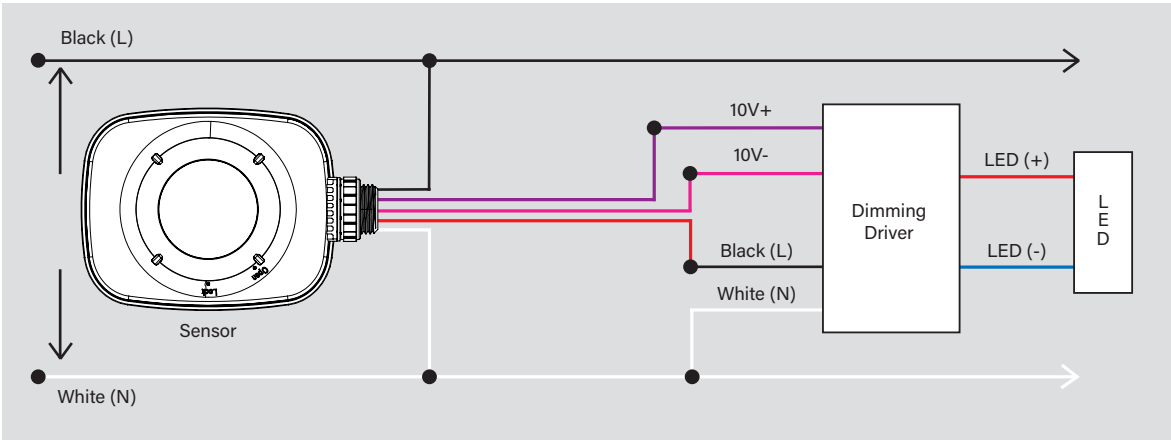


Mounting	1/2" knockout
Length	4.70"
Width	3.21"
Height	2.38"
Weight	6.0 oz.
Case Material	Plastic

KTSL-HBFC1-UV-KO-PIR /G2

BLUETOOTH WIRELESS FIXTURE CONTROLLER AND SENSOR

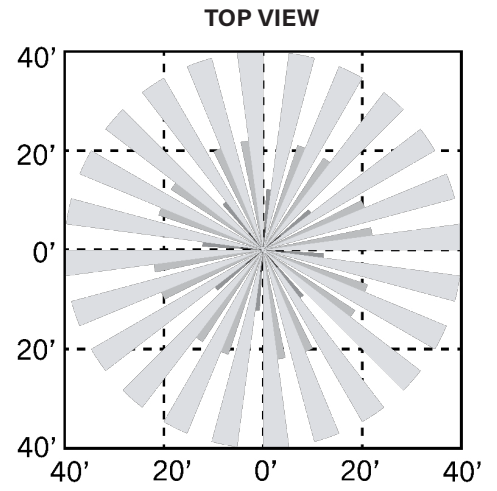
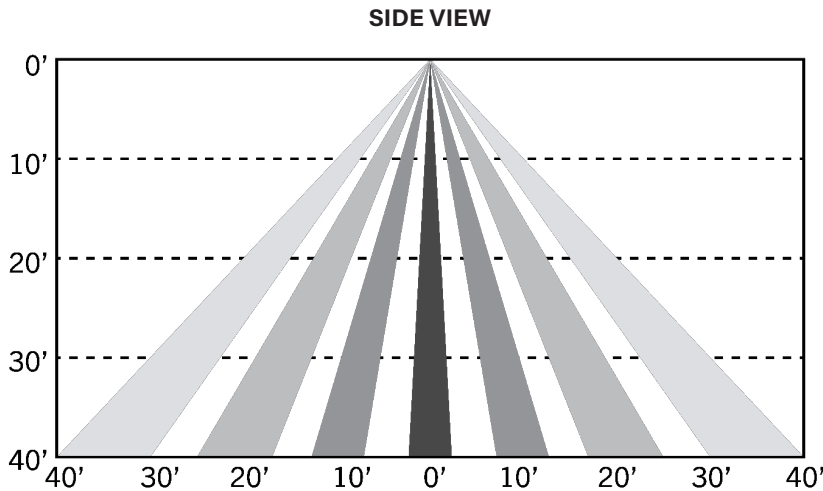
WIRING DIAGRAM



WIRE SPECIFICATIONS

Name	Function	Color	Gauge	Type	Length	Strip Length
L	Input Hot	Black	18AWG	Solid	12.59"	0.39"
N	Neutral	White				
L1	Switched Hot Out	Red				
10V+	Dimming Level	Purple				
10V-	Low Voltage Common	Pink				

LENS COVERAGE



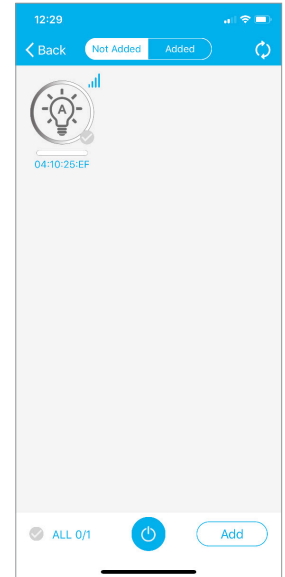


KTSL-HBFC1-UV-KO-PIR /G2

BLUETOOTH WIRELESS FIXTURE CONTROLLER AND SENSOR

COMMISSIONING

1. Search for 'SmartLoop' on the app store for iPhone (iOS 8.0 or later, and Bluetooth 4.0 or later), or google play store for Android (Android 4.3 or later, and Bluetooth 4.0 or later).
2. With controllers installed and lights powered on, press + or Click to Add. The app will begin searching for available lights.
3. Check each light to be commissioned to the region.
4. Press Add to confirm selections. The selected lights will now appear on the Lights page.
5. For further system commissioning, see User Manual at www.keystonetech.com.



DECOMMISSIONING

Decommissioning can be done by deleting a controller from the region, a power reset sequence, or by using the reset button for certain models.

In the app:

The phone/tablet must be connected to the device through the mesh network in order for the controller to be factory reset. Otherwise, the light will simply be removed from the region in the app, and the controller will need to be factory reset using one of the other methods below.

1. Go to the Lights page.
2. Press Select and check the desired lights to decommission.
3. Press Delete and confirm.

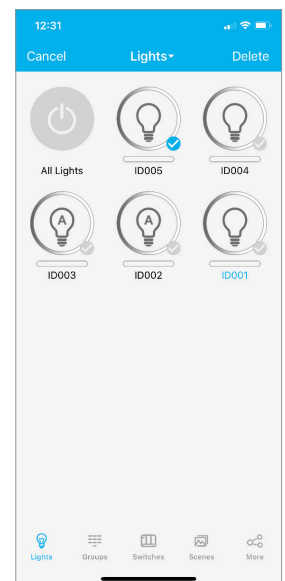
Power cycle reset sequence:

If a controller is assigned to another region, it will not appear when searching for new fixtures. Perform the below power cycle sequence to factory reset the controller.

1. Power on for 1 second, then off for 10 seconds.
2. Power on for 1 second, then off for 10 seconds.
3. Power on for 1 second, then off for 10 seconds.
4. Power on for 10 seconds, then off for 10 seconds.
5. Power on for 10 seconds, then off for 10 seconds.
6. Turn the light back on. The device should now be decommissioned and ready to add to a region.

Reset button:

The reset button is accessed via a pinhole underneath the lens of the controller. While the device is powered, press and hold the button for 3 seconds to initiate a factory reset.





KTSL-HBFC1-UV-KO-PIR /G2

BLUETOOTH WIRELESS FIXTURE CONTROLLER AND SENSOR

ORDERING INFORMATION

ORDER CODE	PACK QTY.	UPC	EASY CODE	DLC PRODUCT ID
KTSL-HBFC1-UV-KO-PIR /G2	54	843654164281	TYM-63	N-ZPC4JY

CATALOG NUMBER BREAKDOWN

KTSL-HBFC1-UV-KO-PIR /G2

1
2
3
4
5
6
7

- 1** Keystone Technologies SmartLoop
- 2** High Bay Fixture Controller
- 3** Design Style 1
- 4** Universal Voltage
- 5** KnockOut Installation Style
- 6** PIR Sensor Type
- 7** Generation 2