



The Lightcloud Twist brings the power of Lightcloud to roadway lighting, boasting GPS location reporting, pole-damage detection, 0-10V dimming and more.

Color: Black

Weight: 0.4 lbs

Project:	Type:
Prepared By:	Date:

**Technical Specifications**

**Product Details**

**Application:**

Roadway fixtures

**Mounting Type:**

ANSI C136.10/C136.41 Receptacle

**Compliance**

**IP Rating:**

Ingress protection rating of IP65 for dust and water

**Construction**

**Operating Temperature Range:**

-40°C - 70°C

**Electrical**

**Input:**

120-277VAC, 50/60Hz

**Load Switching Capacity:**

5A @ 120VAC, Electronic Ballast

5A @ 277VAC, Electronic Ballast

Dimming Circuit: 50mA @10VDC

**Connection Type:**

ANSI C136.10/C136.41 Receptacle

**Wireless Range**

**Line of Sight:**

1,000 ft

**Obstructions:**

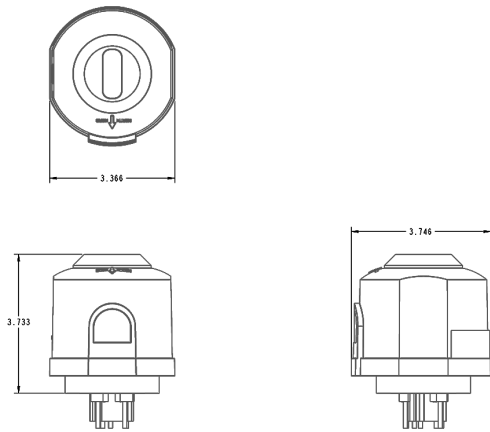
100 ft

**Other**

**Warranty:**

10-year full hardware warranty with 100% repair/replacement coverage for all properly installed devices. [See Lightcloud Warranty Terms.](#)

## Dimensions



## Features

- Advanced daylight sensing
- GPS location reporting
- 0-10V dimming
- Pole-damage detection
- Utility-grade energy metering
- Remote control and setup from Lightcloud Web App
- Communicates over secure wireless mesh network - no internet required

## Ordering Matrix

Family	Finish
LCTWIST	/K

/K = Black