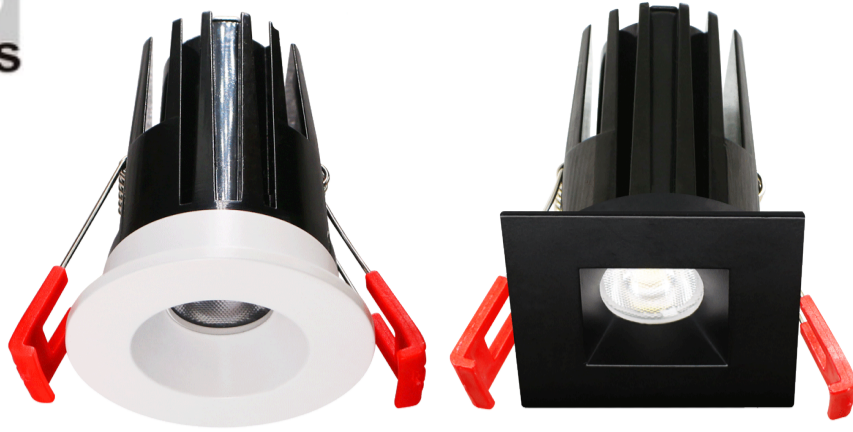




LED-1-S7W-5CCT

2" Recessed LED 7W 5CCT



Project: _____

Location: _____

Model: _____ Qty: _____

Notes: _____

DESCRIPTION

2" Recessed LED With Integral Driver In Connection Box
Ultra compact and versatile with 5CCT switch on the fixture

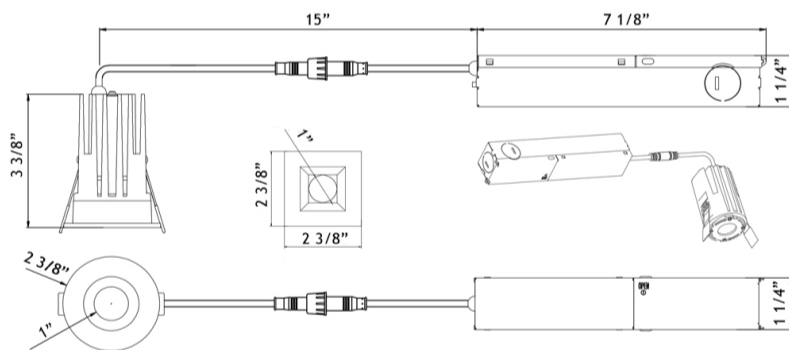
FEATURES & BENEFITS

- 5CCT User Selectable** Light Color
- Type IC Rated** - No Housing Required
- Fast & Easy** To Install - Save On Labor
- 3 3/8" Deep** - Install Where Ceiling Space Is Limited
- 430 to 480 lm with CRI 90+** for true colour rendering
- Round & Square / White & Black** interchangeable trims
- Trimless Round** White bracket in stock, black & square by custom order
- Driver Inside Connection Box** - No Junction Box Needed

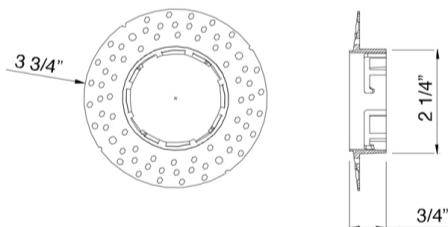


SPECIFICATION	
Applications	Recessed Ceiling, Soffits, Solar
Energy Used	7 W
Color Temperature (K)	5CCT: 2700 3000 3500 4000 5000
Light Output (lm)	430 460 480 480 450
Halogen Equivalent	35 W
Beam Angle	38°
CRI	90 +
Driver Input	120V AC
Dimming	TRIAC Dimmers 10% - 100%
Approved Location	Insulated Ceiling & Wet Locations
Air Tight	Yes
Ambient Temperature	-4°F (-20°C) to +104°F (+40°C)
Projected Life	70% Light Output at 50,000 Hours
Certification	cETLus, Energy Star
Warranty	3 Year

DIMENSIONS Regular Trims: ID 2" OD 2 3/8" Depth 3 3/8" Cut Out 2 1/8"
Ceiling clearance required 5"



Cut Out for Trimless Round bracket 2 1/4"



ACCESSORIES



[26" Long Flat Rough-In Plate model # RIP2](#)

DO NOT USE RIP2 WITH TRIMLESS BRACKET



[Jumper Cables 10 ft model # JC10](#)

ORDERING GUIDE

Trim

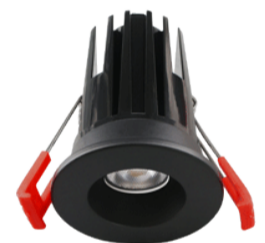


- LED-1-S7W-5CCT-1RRWH** [Round White](#)
- LED-1-S7W-5CCT-1RRBK** [Round Black](#)
- LED-1-S7W-5CCT-1SRWH** [Square White](#)
- LED-1-S7W-5CCT-1SRBK** [Square Black](#)
- LED-1-S7W-5CCT-1R-TRIMLESS-WH** [Trimless Round White](#)

Available Trims



Round White 1RRWH



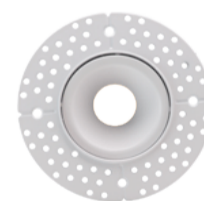
Round Black 1RRBK



Square White 1SRWH



Square Black 1SRBK



Trimless Round White 1R-TRIMLESS-WH



Note: We don't have mounting plate for the trimless bracket currently

COMPLIANCE



Type IC
Air-Tight

Lotus LED Lights USA

250 H Street # 301, Blaine WA 98230 tel 360-200-5500
Hainesport NJ, Naples FL, Dallas TX, Vancouver WA

www.LotusLEDLights.com

mailing addresses
warehouses

Lotus LED Lights CANADA

702 Chester Rd, Delta BC V3M 6J1 tel 604-538-3090
Delta BC & Mississauga ON