



LED-2-S11W-EY-T

2" Trimless Round Gimbal LED 11W



Project: _____

Location: _____

Model: _____ Qty: _____

Notes: _____

DESCRIPTION

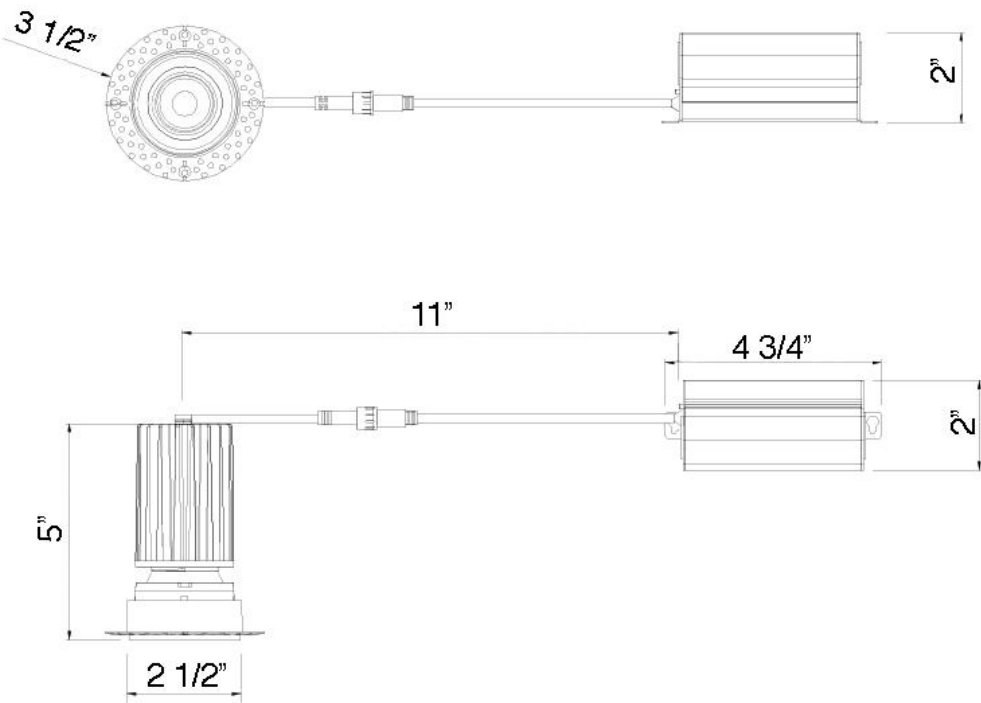
2" Trimless Round Gimbal Recessed LED
With Integral Driver In Connection Box

FEATURES & BENEFITS

- Up to 20° tilt** for slopped ceilings and wall washing
- 5CCT** user selectable 2700-3000-3500-4000-5000K or **Dim to Warm** 3000-1800K
- Light output up to **1000 lm**
- CRI 90+** for True Color Rendering
- 5" Deep** - Install Where Ceiling Space Is Limited
- Type IC Rated** - No Housing Required
- Wet Location** Approved
- Driver Inside Connection Box** - No Junction Box Needed

DIMENSIONS: D 2 1/2" ; OD 3 1/2" : Cut Out 2 5/8"

Ceiling Clearance Required: 5" 120V Triac Dim Driver Included



SPECIFICATION	
Applications	Sloped Ceilings, Wallwashing, Highlighting Artwork
Power	11 W
Color Temperature (K)	2700K - 3000K - 3500K - 4000K - 5000K - DTW 30-18K
Light Output White Trim (lm)	800 - 850 - 930 - 980 - 1000 - 900
Halogen Equivalent	90 W
Beam Angle	38° (standard), 24° & 60° available as adder
Tilt Angle	20°
CRI	90 +
Default Driver Input & Dimming	120V AC 50/60 Hz - Triac Dimmable
Optional Driver Input & Dimming	120V-347V AC 50/60 Hz - 0-10V Dimmable
J-Box Volume	6.53 in ³ / 2 in 2 out 12AWG
Approved Location	Insulated Ceiling & Wet Locations
Air Tight	Yes
Ambient Temperature	-4°F (-20°C) to +104°F (+40°C)
Projected Life	70% Light Output at 50,000 Hours
Certification	cETLus
Warranty	5 Year

AVAILABLE TRIMS



ORDERING GUIDE

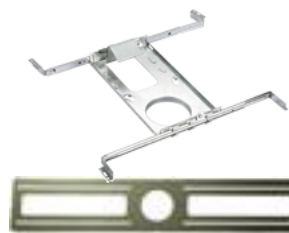
	CCT	Trim	Beam Angle
LED-2-S11W-5CCT-WH-EY-T	5CCT	White	blank for 38°
LED-2-S11W-DTW-WH-EY-T	Dim to Warm	White	-24D for 24°
LED-2-S11W-5CCT-BK-EY-T	5CCT	Black	-60D for 60°
LED-2-S11W-DTW-BK-EY-T	Dim to Warm	Black	

Default beam angle is 38°, Optional is 24°



ACCESSORIES

Sold Separately



[Flanged Mounting Plate with bars model FRP212](#)

[Flat Mounting Plate model RIP212](#)



[Jumper Cables 10 ft 5CCT model JC-5CCT-10](#)

[Jumper Cables 10 ft DTW model JC-10](#)



[0-10V Driver 120-347V for 5CCT HBL012-AW-10-01A-5CS](#)
[0-10V Driver 120-347V for DTW HBL012-AW-10-01L](#)