

SCREW-IN
RETROFITS



FLEX COLOR HIGH BAY



flexCOLOR
switch
between
color temps
↓

↑
advanced
active cooling

- > Available in 95W and 140W models replacing up to 400W HID.
- > Easily adjust the color temperature via a switch on the unit.
- > Dynamic temp control with advanced active cooling supports a longer, brighter life.
- > Pretested & potted drivers are burnt in 3x prior to shipping and protected against vibration & moisture.
- > Expertly engineered to work efficiently in enclosed fixtures & damp environments, while also protected against insects & dust.
- > LED-8232-HV: 277-480V.
(can be used on 347V)
- > USA designed & specified LED driver.
- > Continuously dimmable down to 20% using a wired 0-10V dimming circuit. Lamps also include 12V auxiliary power for sensors.



**120/
277V**
ALSO WORKS
ON 208V & 240V

UL TYPE
B
BALLAST
BYPASS

MOGUL BASE

80+
CRI

**50,000hrs
RATED LIFE**

-40°F TO 113°F
OPERATING
TEMP

**ENCLOSED
FIXTURES**

6kA
SURGE
PROTECTION

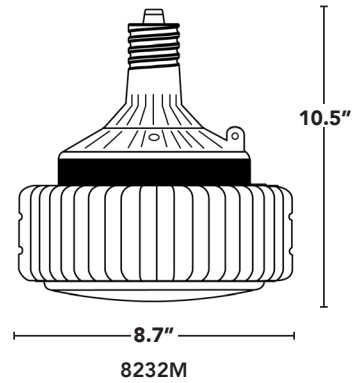
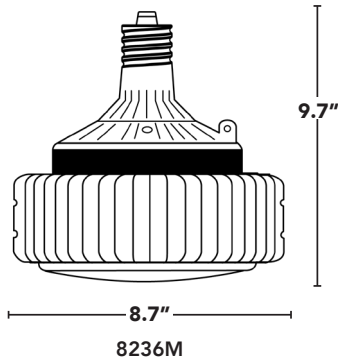
PART #	UPC	REPLACES	WATTAGE	LUMENS	COLOR	VOLTAGE	BASE
LED-8236M345D*	844006077662	250W HID	95W	13000	3000K/4000K/5000K	120-277V	EX39
LED-8236M345CD*	844006077693	250W HID	95W	13000	3000K/4000K/5000K	220-347V	EX39
LED-8232M345D	844006077686	400W HID	140W	19500	3000K/4000K/5000K	120-277V	EX39
LED-8232M345D-HV*	844006077679	400W HID	140W	19500	3000K/4000K/5000K	277-480V	EX39

*LED-8236 & LED-8232-HV COMING SOON





HIGH BAY



PART #	UPC	REPLACES	WATTAGE	LUMENS	COLOR	VOLTAGE	BASE
LED-8236M345D	844006077662	250W HID	95W	13000	3000K/4000K/5000K	120-277V	EX39
LED-8236M345CD	844006077693	250W HID	95W	13000	3000K/4000K/5000K	220-347V	EX39
LED-8232M345D	844006077686	400W HID	140W	19500	3000K/4000K/5000K	120-277V	EX39
LED-8232M345D-HV	844006077679	400W HID	140W	19500	3000K/4000K/5000K	277-480V	EX39