

# LEDVANCE Luminaires

## SELECTABLE TRACK LIGHTS

PERFORMANCE CLASS

### Application

The Performance Class CCT Selectable Track Light luminaires are the environmentally preferable LED alternative to traditional luminaires. The CCT Selectable Track Light Series is offered in two different finishes, with the choice of four different CCTs to choose from. Ideal for direct replacement of traditional luminaires or for illuminating retail, hotels, restaurants and more.

### Benefits and Features

- Sleek, modern integrated design
- Rotate 0-350° around and/or 0-90° up/down
- 4 CCT Selectable (2700/3000/3500/4000K) for customizable light (15-25W wattage selectable too)
- ZOOM Series: adjustable beam angle
  - Allows for easy onsite adjustment and customizable light
- Offered in black and white finish
- Sleek shape utilizing our Scale Design
- Offered in 15W, 15-25W, 35W and 45W
- CRI >90

### Electrical

- 120VAC
- Power Factor >0.9
- THD <20%
- Dimmable (Phase cut)

### Rated Life

- 50,000 hours (L<sub>90</sub>)

### Warranty

- 5-year
- NLB Trusted Warranty Program

### Ambient Operating Range

- -4°F to +104°F (-20°C to +40°C)



### Wattage Comparison

Traditional Source	Traditional System Wattage	LED System Wattage	Energy Savings
Halogen	50W	15W	70%
Halogen	50W	25W	50%
HID	39W	35W	10%
HID	70W	45W	36%

### Certifications and Listings

- cETLus
- RoHS
- FCC
- ENERGY STAR®
- Title 24 Compliant

### Installation

- For single-circuit H-track only
- Variety of accessories to support various installations



Catalog #	Type
Project	
Comments	
Prepared by	

**Ordering Guide**

TRACKHD	1A	XX	S	T	9	SC14	XXXX	XX
Product Type	Generation	Wattage	Voltage	Dimming	CRI	CCT Selectable	Beam Angle	Finish
TRACKHD = Trackhead	1A = 1st Generation	15 = 15 Watts 25 = 15/25 Watts Selectable 35 = 35 Watts 45 = 45 Watts	S = 120V	T = Triac Dimming	9 = 90 CRI	2700/3000/3500/4000K	FL24 = 24° FL36 = 36° ZN = Beam Selectable	WH = White BL = Black

**Ordering Information**

Item Number	Ordering Abbreviation	Power (W)	Input Voltage	Dimming	CRI	Color Temp (CCT)	Beam Angle	Lumens at 3000K (lm)	Color/Finish	Qty per SKU	Qty per CS
63167	TRACKHD1A15ST9SC14ZNBL	15W	120V	Phase-Cut	>90	2700/3000/3500/4000K	20-52°	20*/850 52*/1000	Black	1	4
63168	TRACKHD1A25ST9SC14ZNBL	15-25W	120V	Phase-Cut	>90	2700/3000/3500/4000K	22-60°	22*/1400* 60*/1650*	Black	1	4
63169	TRACKHD1A35ST9SC14FL36BL	35W	120V	Phase-Cut	>90	2700/3000/3500/4000K	36°	2300	Black	1	4
63170	TRACKHD1A45ST9SC14FL36BL	45W	120V	Phase-Cut	>90	2700/3000/3500/4000K	36°	3100	Black	1	4
63171	TRACKHD1A15ST9SC14ZNWH	15W	120V	Phase-Cut	>90	2700/3000/3500/4000K	20-52°	20*/850 52*/1000	White	1	4
63172	TRACKHD1A25ST9SC14ZNWH	15-25W	120V	Phase-Cut	>90	2700/3000/3500/4000K	22-60°	22*/1400* 60*/1650*	White	1	4
63173	TRACKHD1A35ST9SC14FL36WH	35W	120V	Phase-Cut	>90	2700/3000/3500/4000K	36°	2300	White	1	4
63174	TRACKHD1A45ST9SC14FL36WH	45W	120V	Phase-Cut	>90	2700/3000/3500/4000K	36°	3100	White	1	4
63198	TRACK1A35ST9SC14FL24BL	35W	120V	Phase-Cut	>90	2700/3000/3500/4000K	24°	2300	Black	1	4
63199	TRACK1A45ST9SC14FL24BL	45W	120V	Phase-Cut	>90	2700/3000/3500/4000K	24°	3000	Black	1	4
63200	TRACK1A35ST9SC14FL24WH	35W	120V	Phase-Cut	>90	2700/3000/3500/4000K	24°	2300	White	1	4
63201	TRACK1A45ST9SC14FL24WH	45W	120V	Phase-Cut	>90	2700/3000/3500/4000K	24°	3000	White	1	4

\*At 25W

**Dual Selectable Switches (63168/63172)**



**Switch Detail**



**CCT Selectability Switch (All other models)**



**Switch Detail**



**On/Off Switch (All other models)**



**Zoom Technology**



**Zoom Detail**

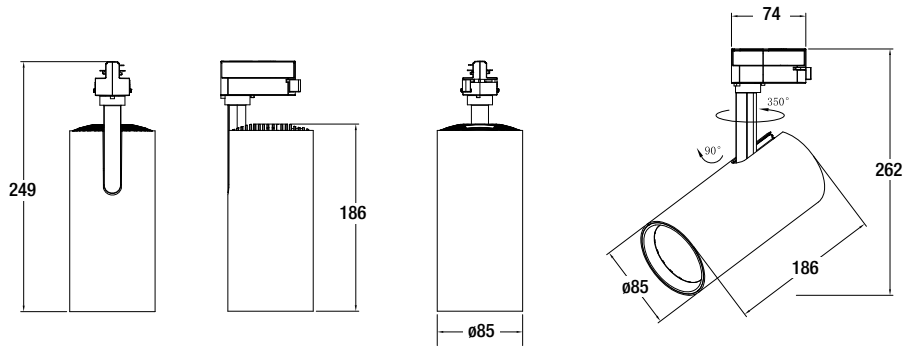


**Dimmer Compatibility**

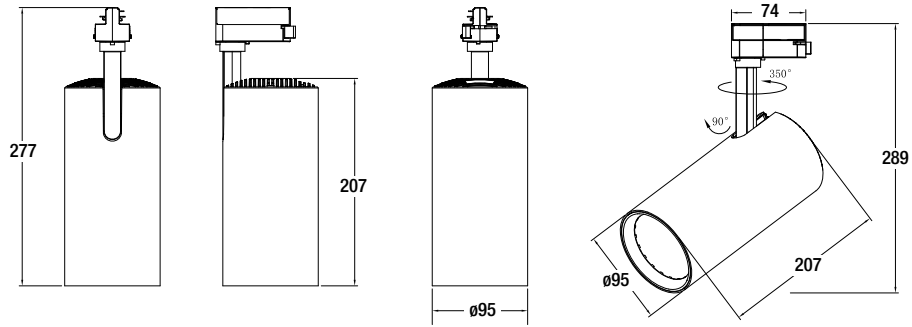
Make	Leading or Trailing Edge	Model
Leviton SureSlide	L	6674
Lutron Maestro C-L	L	MACL-153M
Lutron Diva	L	DVCL-153P
Lutron Caseta	L	PD-6WCL
Legrand Radiant	L	RHCL453P
Lutron Diva	T	DVELV-300P
Lutron Maestro	T	MAELV-600

## Physical Information

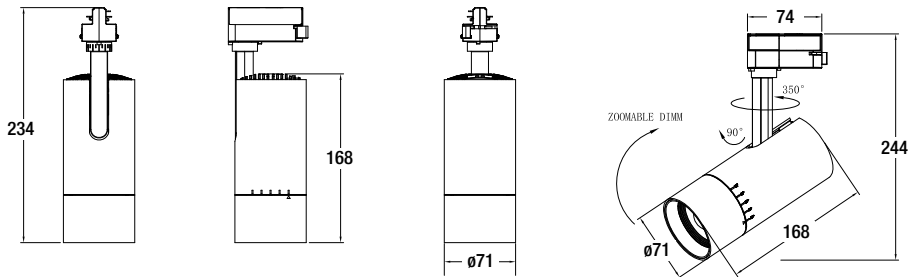
### 35W Static Models



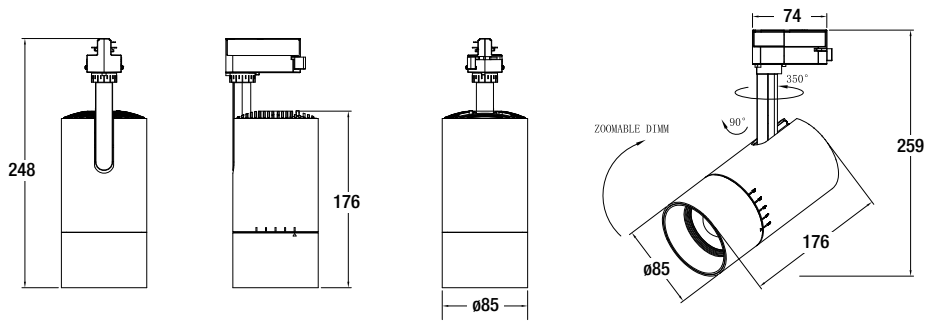
### 45W Static Models



### 63171 and 63167



### 63168 and 63172

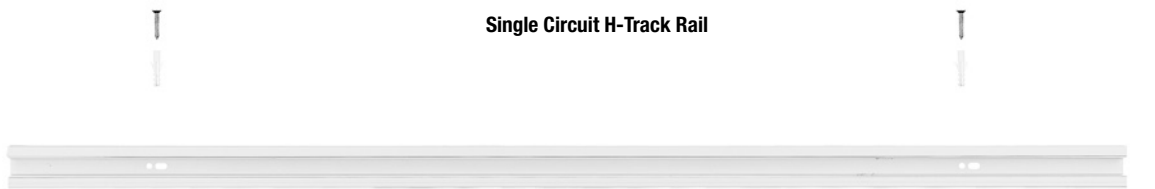


Dimensions in mm

## Accessories

Item Number	Ordering Abbreviation	Item Description	Finish	SKU Qty	CS Qty
63175	TRACK1ARAIL2FTWH	3 Line Single Phase 2ft Rail	White	1	12
63176	TRACK1ARAIL4FTWH	3 Line Single Phase 4ft Rail	White	1	12
63177	TRACK1APWRCAPWH	Power Supply Cap	White	1	150
63178	TRACK1AENDCAPWH	End Cap	White	1	1000
63179	TRACK1ACONNECTOR-IWH	I-Connector	White	1	400
63180	TRACK1ACONNECTORSTRWH	Straight Connector	White	1	228
63181	TRACK1ACONNECTOR-LWH	L-Connector	White	1	160
63182	TRACK1ACONNECTOR-TWH	T-Connector	White	1	108
63183	TRACK1ACONNECTOR-XWH	X-Connector	White	1	60
63184	TRACK1ARAIL2FTBL	3 Line Single Phase 2ft Rail	Black	1	12
63185	TRACK1ARAIL4FTBL	3 Line Single Phase 4ft Rail	Black	1	12
63186	TRACK1APWRCAPBL	Power Supply Cap	Black	1	150
63187	TRACK1AENDCAPBL	End Cap	Black	1	1000
63188	TRACK1ACONNECTOR-IBL	I-Connector	Black	1	400
63189	TRACK1ACONNECTOR-STRBL	Straight Connector	Black	1	228
63190	TRACK1ACONNECTOR-LBL	L-Connector	Black	1	160
63191	TRACK1ACONNECTOR-TBL	T-Connector	Black	1	108
63192	TRACK1ACONNECTOR-XBL	X-Connector	Black	1	60

### Single Circuit H-Track Rail



L-Connector

T-Connector

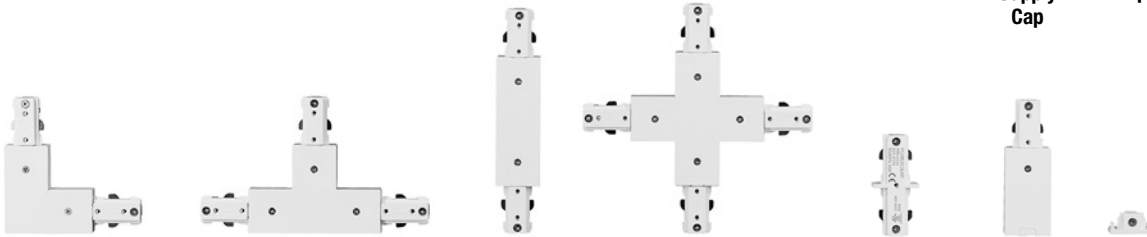
Straight Connector

X-Connector

I-Connector

Power Supply Cap

End Cap



LEDVANCE LLC  
 181 Ballardvale Street, Suite 203  
 Wilmington, MA 01887 USA  
 Phone 1-800-LIGHTBULB (1-800-544-4828)  
[www.ledvanceUS.com](http://www.ledvanceUS.com)

LEDVANCE is a registered trademark. All other trademarks are those of their respective owners. Specifications subject to change without notice.



SCAN TO FOLLOW US  
ON SOCIAL MEDIA

