



Economical low-profile 13W LED floodlight delivers a wide 6H X 6V beam distribution and replaces 75 Watt halogen BR30.

Color: White

Weight: 1.3 lbs

|                     |              |
|---------------------|--------------|
| <b>Project:</b>     | <b>Type:</b> |
| <b>Prepared By:</b> | <b>Date:</b> |

| Driver Info |                  | LED Info       |                 |
|-------------|------------------|----------------|-----------------|
| Type        | Constant Current | Watts          | 13W             |
| 120V        | 0.10A            | Color Temp     | 4000K (Neutral) |
| 208V        | N/A              | Color Accuracy | 84 CRI          |
| 240V        | N/A              | L70 Lifespan   | 60,000 Hours    |
| 277V        | N/A              | Lumens         | 1,351 lm        |
| Input Watts | 10.9W            | Efficacy       | 123.9 lm/W      |

## Technical Specifications

### Compliance

#### UL Listed:

Suitable for wet locations. Suitable for mounting within 4 ft of the ground.

#### IP Rating:

Ingress protection rating of IP66 for dust and water

#### IESNA LM-79 & LM-80 Testing:

RAB LED luminaires and LED components have been tested by an independent laboratory in accordance with IESNA LM-79 and LM-80.

#### Trade Agreements Act Compliant:

This product is a product of Cambodia and a "designated country" end product that complies with the Trade Agreements Act

#### DLC Listed:

This product is on the Design Lights Consortium (DLC) Qualified Products List and is eligible for rebates from DLC Member Utilities. Designed to meet DLC 5.1 requirements.  
DLC Product Code: PAO3IZWC

### Optical

#### NEMA Type:

6H x 6V Beam Spread

### Construction

#### Cold Weather Starting:

The minimum starting temperature is -40°C (-40°F)

#### Maximum Ambient Temperature:

Suitable for use in up to 40°C (104°F)

#### Housing:

Precision die-cast aluminum housing, lens frame and mounting arm

#### Reflector:

Vacuum-metallized polycarbonate

#### Lens:

Diffused glass for smooth, even light distribution

#### Gaskets:

High-temperature silicone gaskets

#### Finish:

Our environmentally friendly polyester powder coatings are formulated for high-durability and long-lasting color

#### Green Technology:

Mercury and UV free. RoHS-compliant components.

### LED Characteristics

#### LEDs:

Long-life, high-efficacy, surface-mount LEDs

#### Color Uniformity:

RAB's range of Correlated Color Temperature follows the guidelines of the American National Standard for Specifications for the Chromaticity of Solid State Lighting (SSL) Products, ANSI C78.377-2017.

### Installation

#### Mounting:

Heavy-duty mounting arm with "O" ring seal, wire seal plug & stainless steel screw

### Other

#### 5 Yr Limited Warranty:

The RAB 5-year, limited warranty covers light output, driver performance and paint finish. RAB's warranty is subject to all terms and conditions found at [rablighting.com/warranty](http://rablighting.com/warranty).

### Performance

#### Wattage Equivalency:

75W PAR30

### Electrical

#### Driver:

120V driver, 50/60/ Hz, 120V: 0.10A

## Technical Specifications (continued)

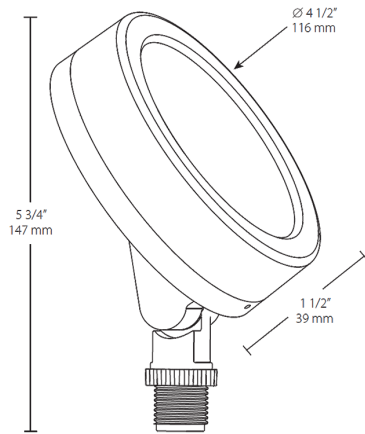
**THD:**

10.9% at 120V

**Power Factor:**

99% at 120V

## Dimensions



## Features

- Equivalent to 75W halogen BR30 wide flood
- Wide 6H x 6V distribution
- Diffused lens for smooth, even light distribution
- Very low profile
- Adjustable knuckle
- 60,000-Hour LED lifespan

## Ordering Matrix

| Family | Wattage | Color Temp | Finish |
|--------|---------|------------|--------|
| LES    | 13      | N          | W      |

13 = 13W

Blank = 5000K Cool  
 N = 4000K Neutral  
 Y = 3000K Warm

Blank = Bronze  
 B = Black<sup>1</sup>  
 VG = Verde Green<sup>1</sup>  
 W = White

<sup>1</sup> Not available with sensor.